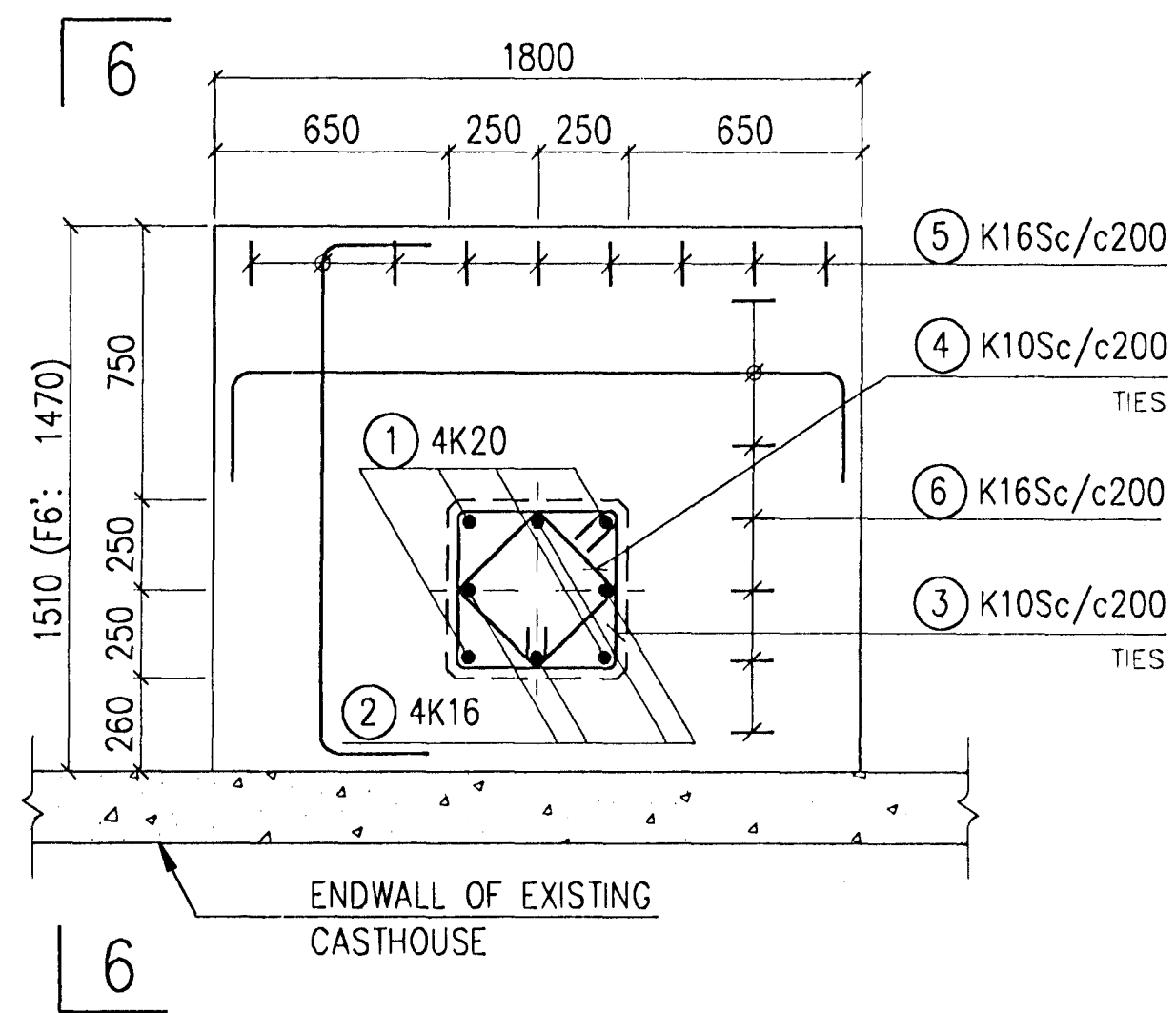


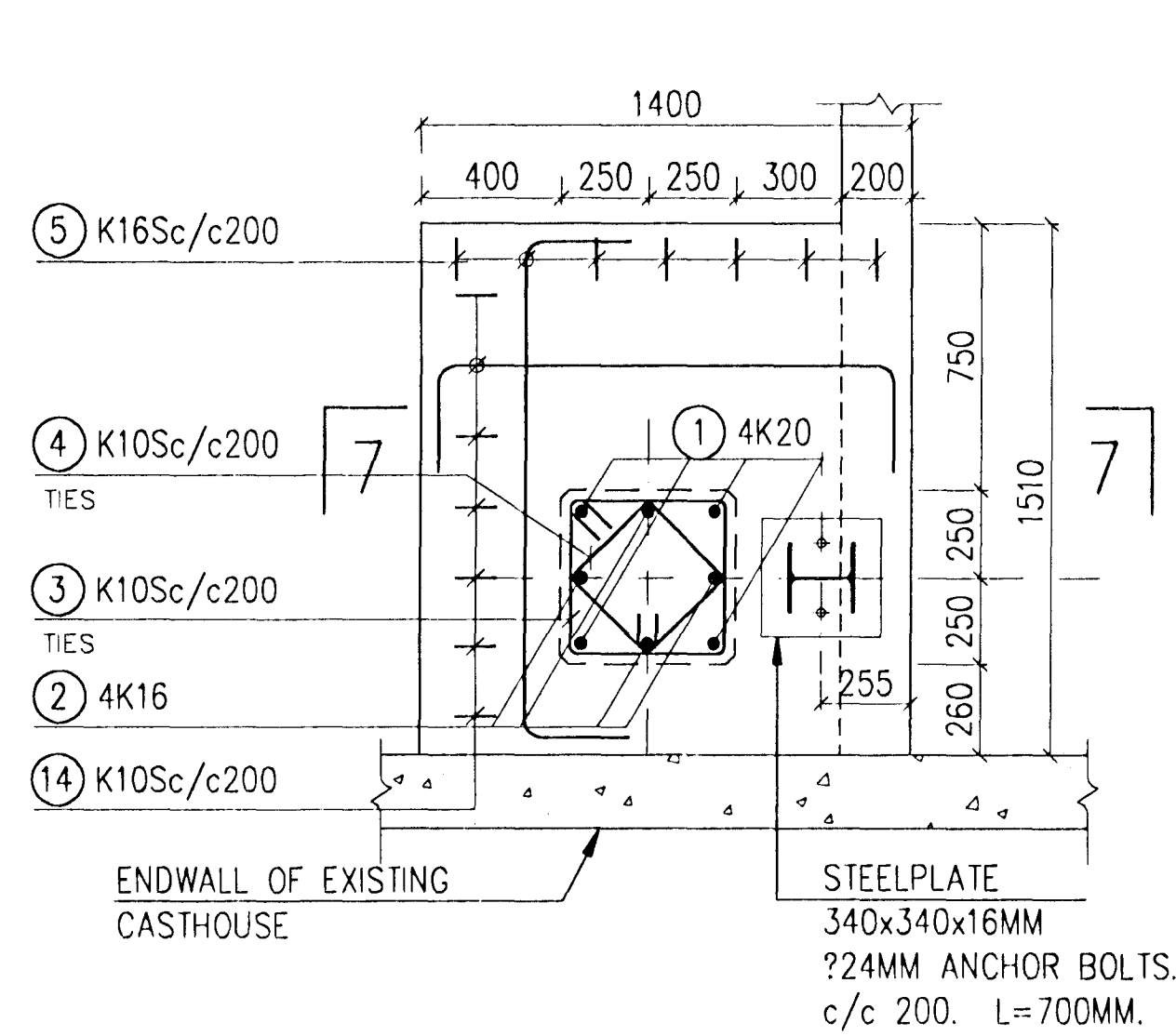
FOUNDATION F6. 1:20

QUANTITY: F6: 3.
F6': 1. SEE DWG 193.519 (F7)



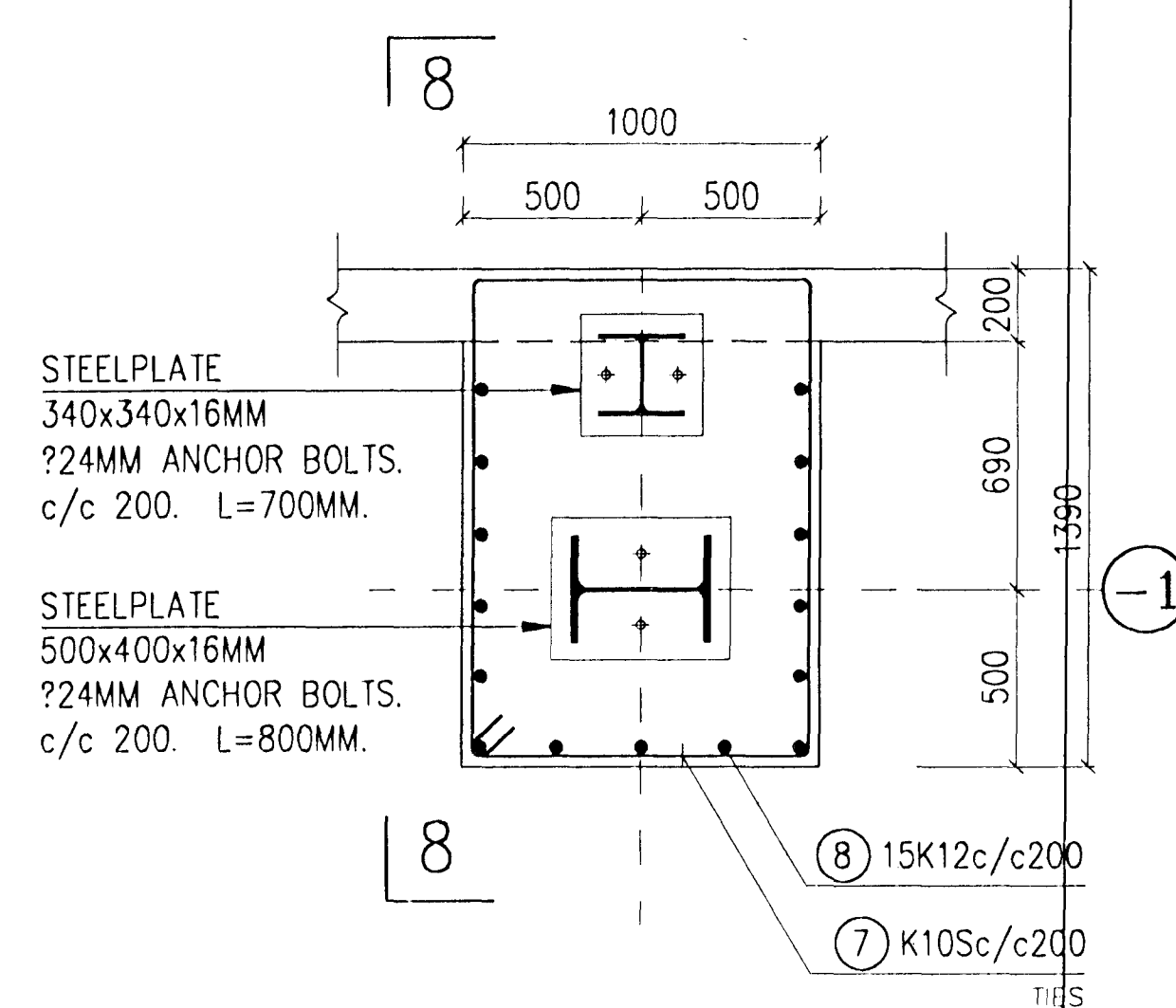
FOUNDATION F7. 1:20

QUANTITY: 1. F7: 1.
F7': 1. SEE DWG 193.519



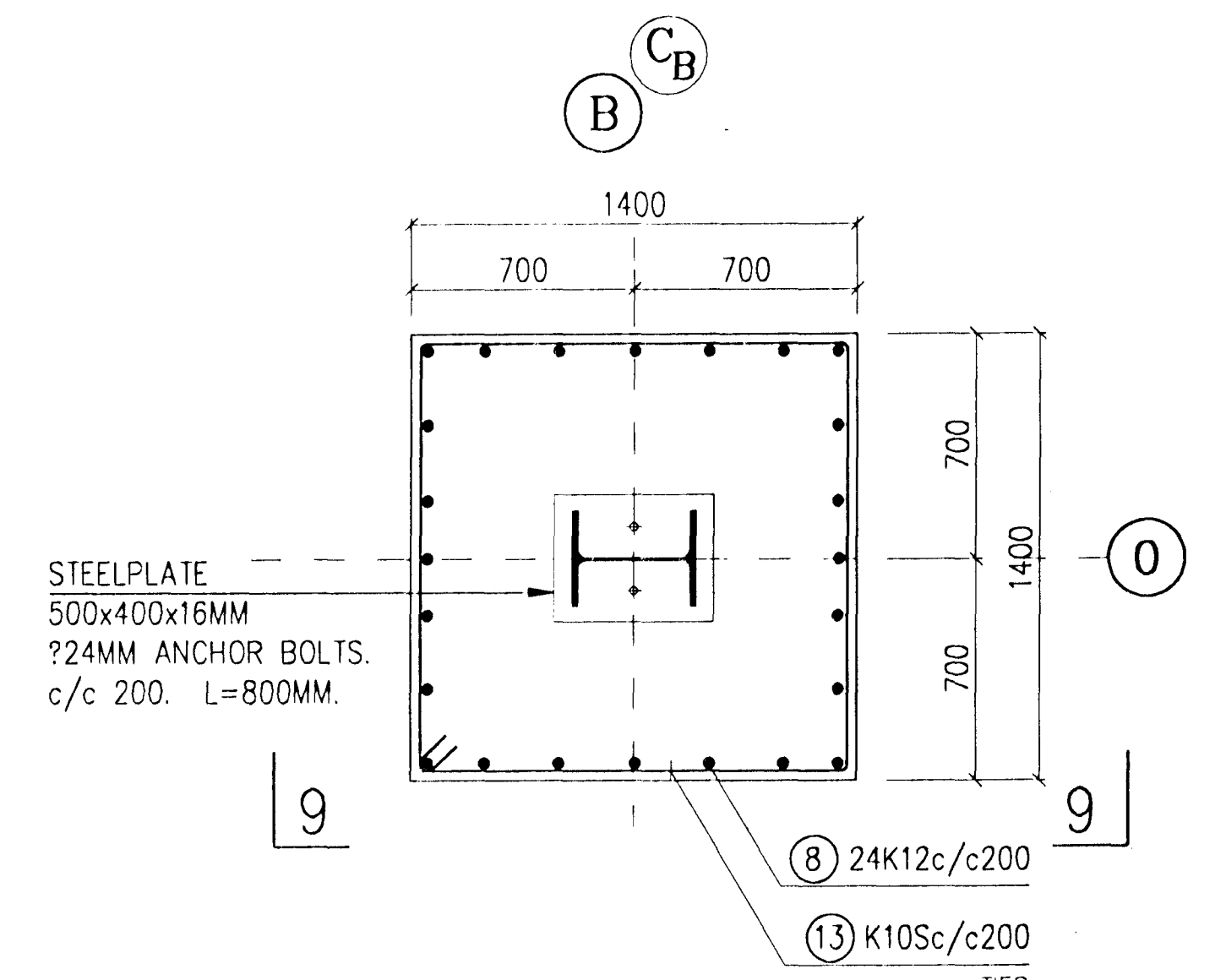
FOUNDATION F8. 1:20

QUANTITY: 2.

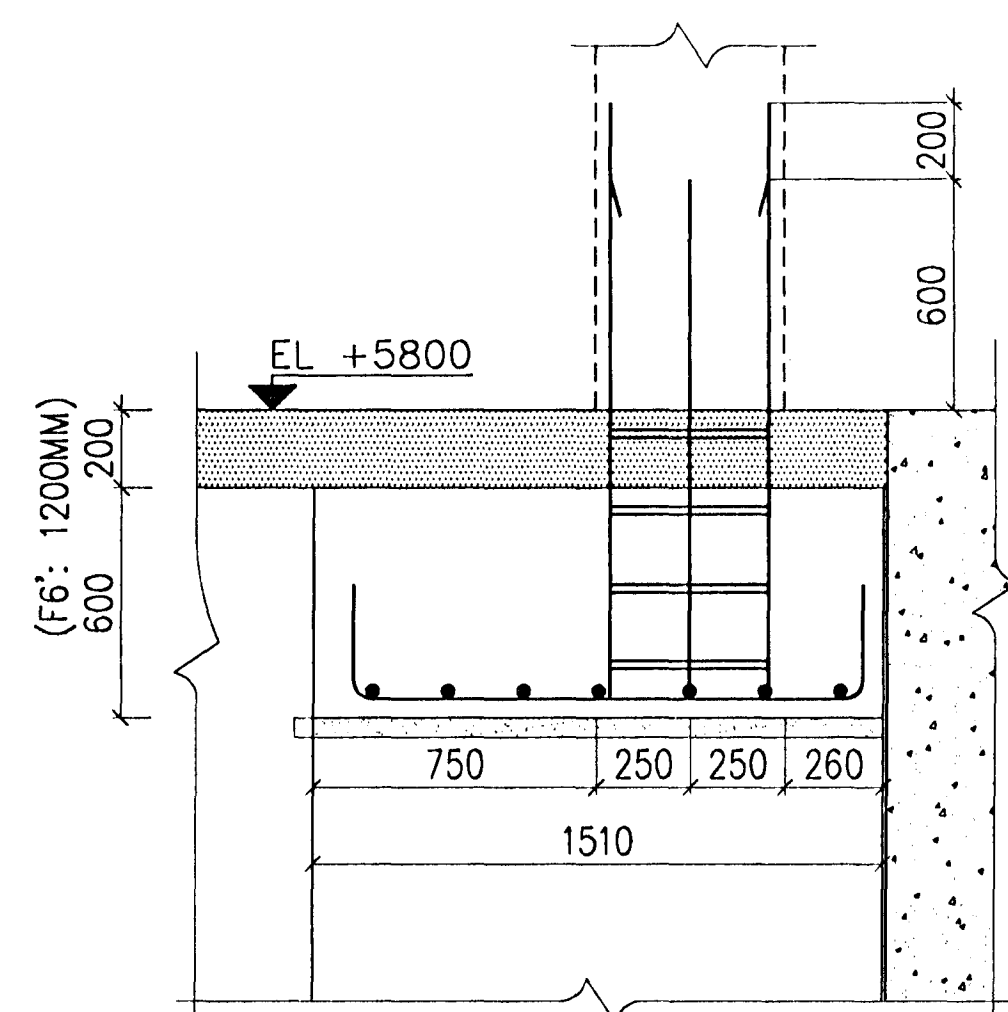


FOUNDATION F9. 1:20

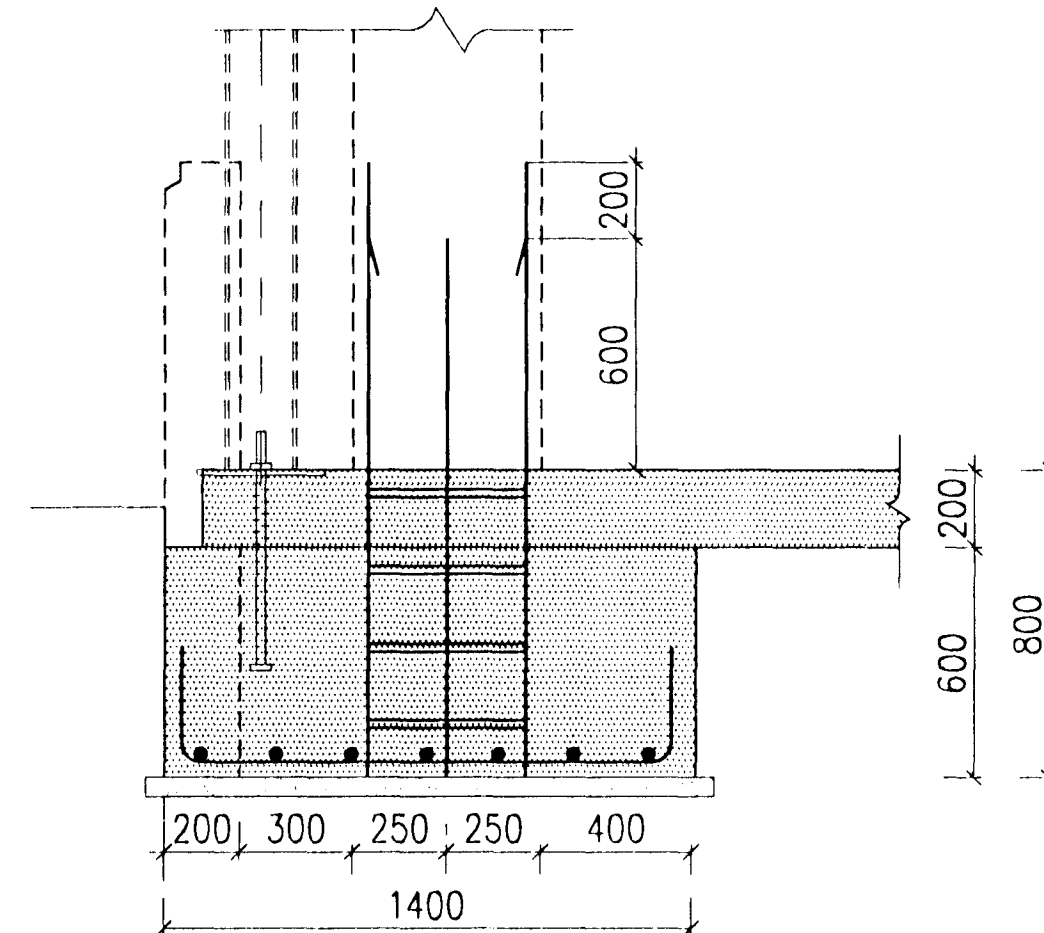
QUANTITY: 2.



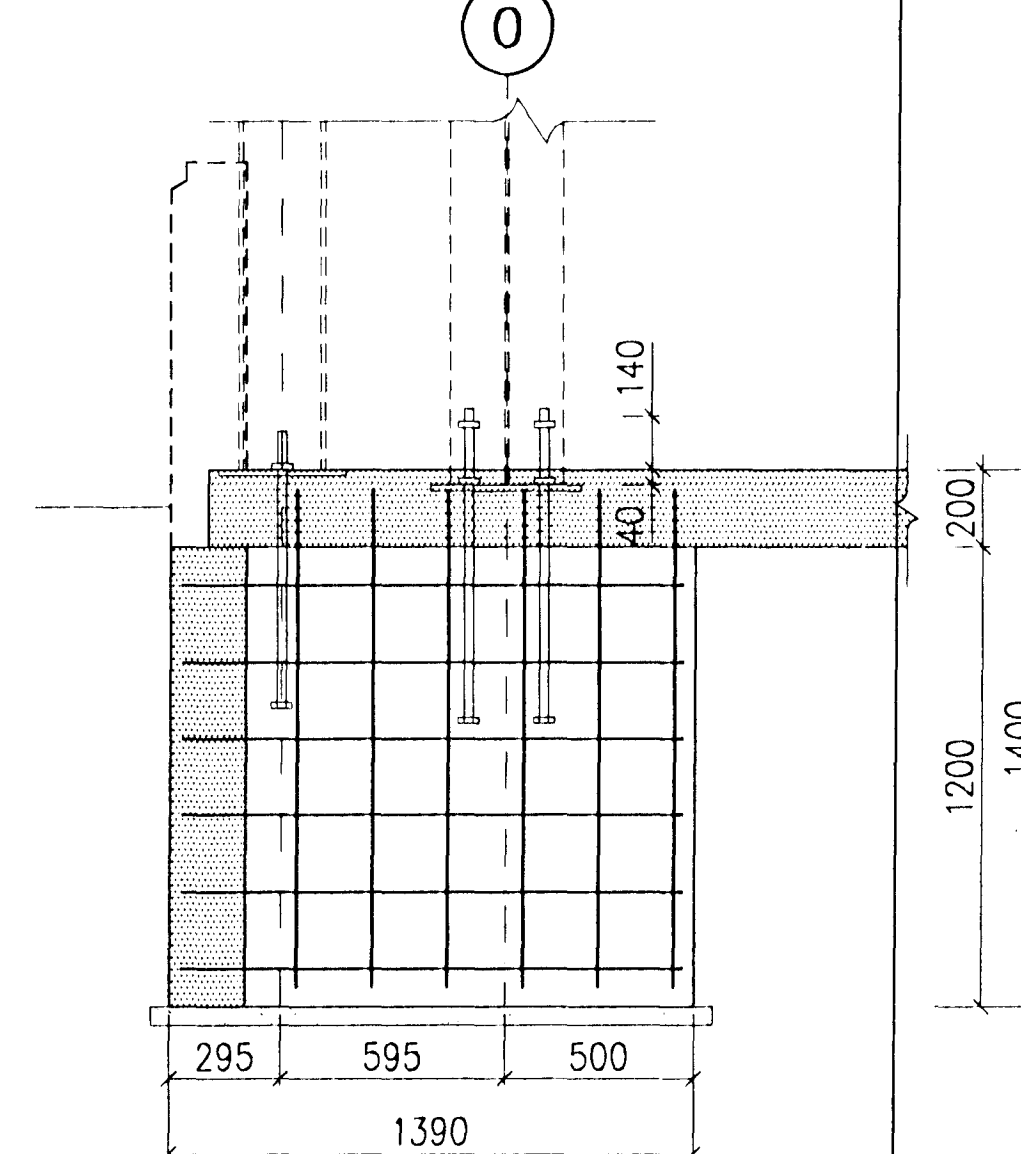
6 - 6. 1:20



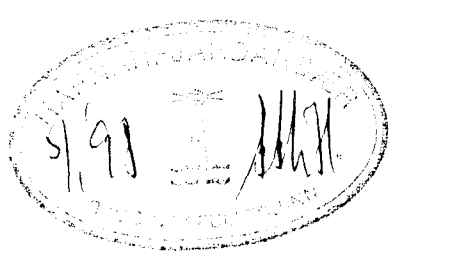
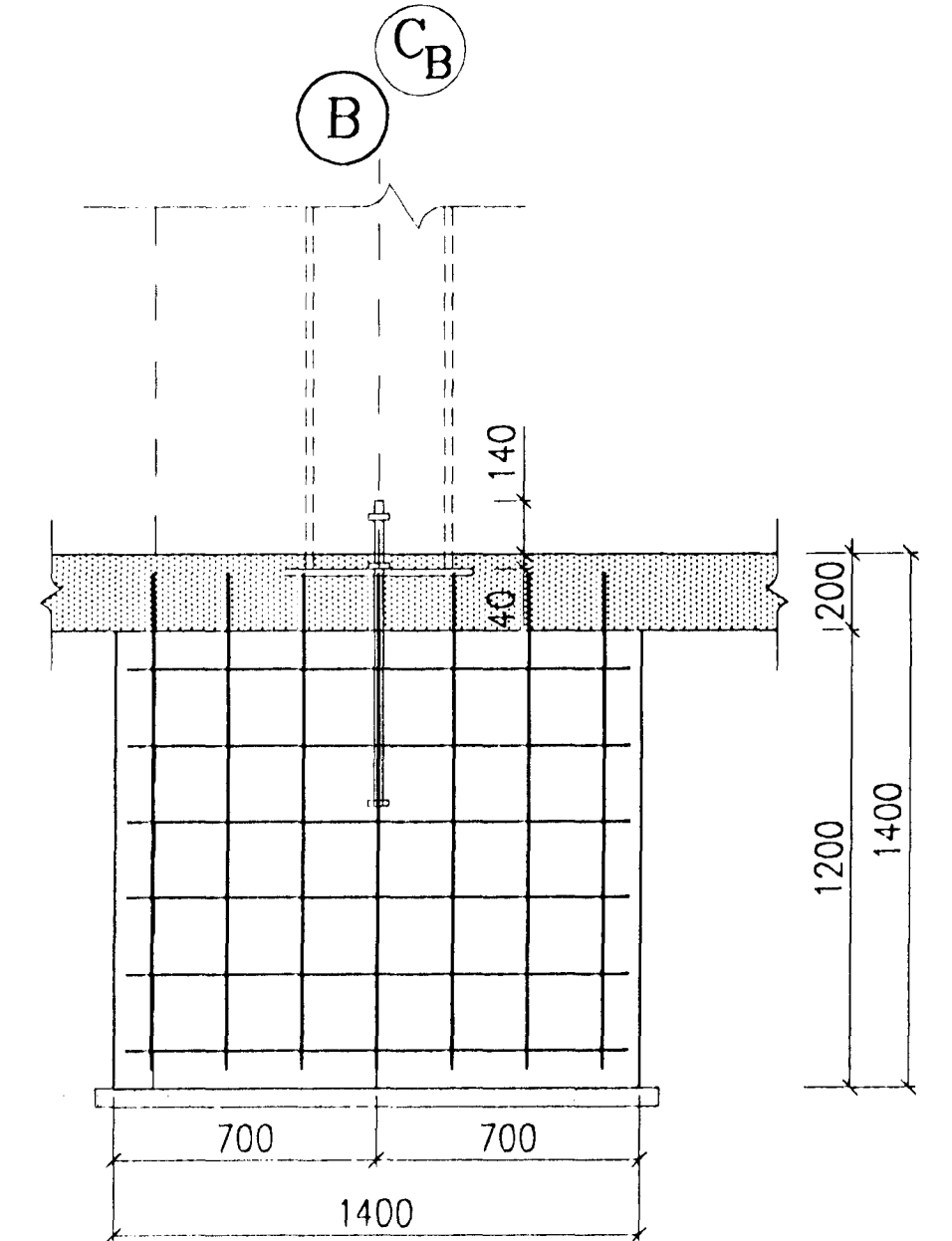
7 - 7. 1:20



8 - 8. 1:20



9 - 9. 1:20



REV. NO.	DATE	REVISION	BY	APP.	REV. NO.	DATE	REVISION	BY	APP.	NOTES	FOUNDATION PLAN	193.511	This drawing is our property and given for personal use only. It may not be copied or made available to others without our permission. The receiver is responsible for any misuse.	ICELANDIC ALUMINIUM COMPANY LTD. ALUSUISSE ALESA ALUSUISSE ENGINEERING LTD. ZURICH SWITZERLAND VERKFRÆDISTOFAN ONN SF. TAEKNITHJONUSTAN SF.	DRAWN 29.8.1996 HHH APPROVED 29.8.1996 UH/JK PROJECT SCALE 1:20 FORMAT A1	CASTHOUSE EXTENSION - BALCONY AREA STRUCTURAL FOUNDATIONS F6, F7, F8 AND F9	79000-313 193.513	1 19
1	14.12.1997	AS BUILT		UH							REFERENCE DRAWING	DRAWING NUMBER						