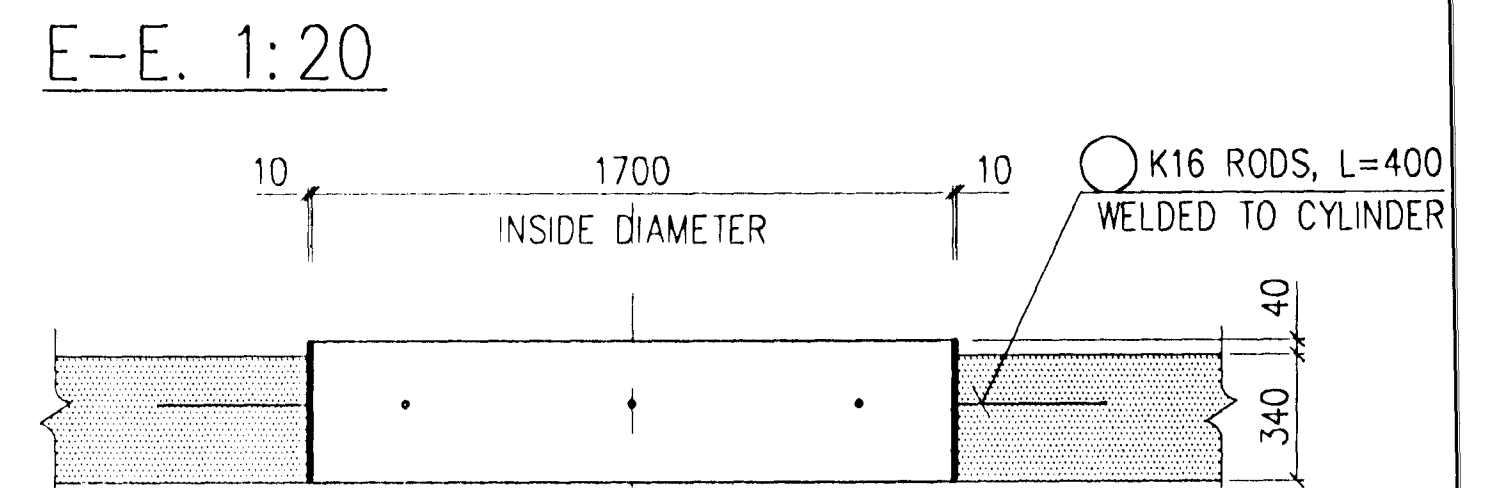
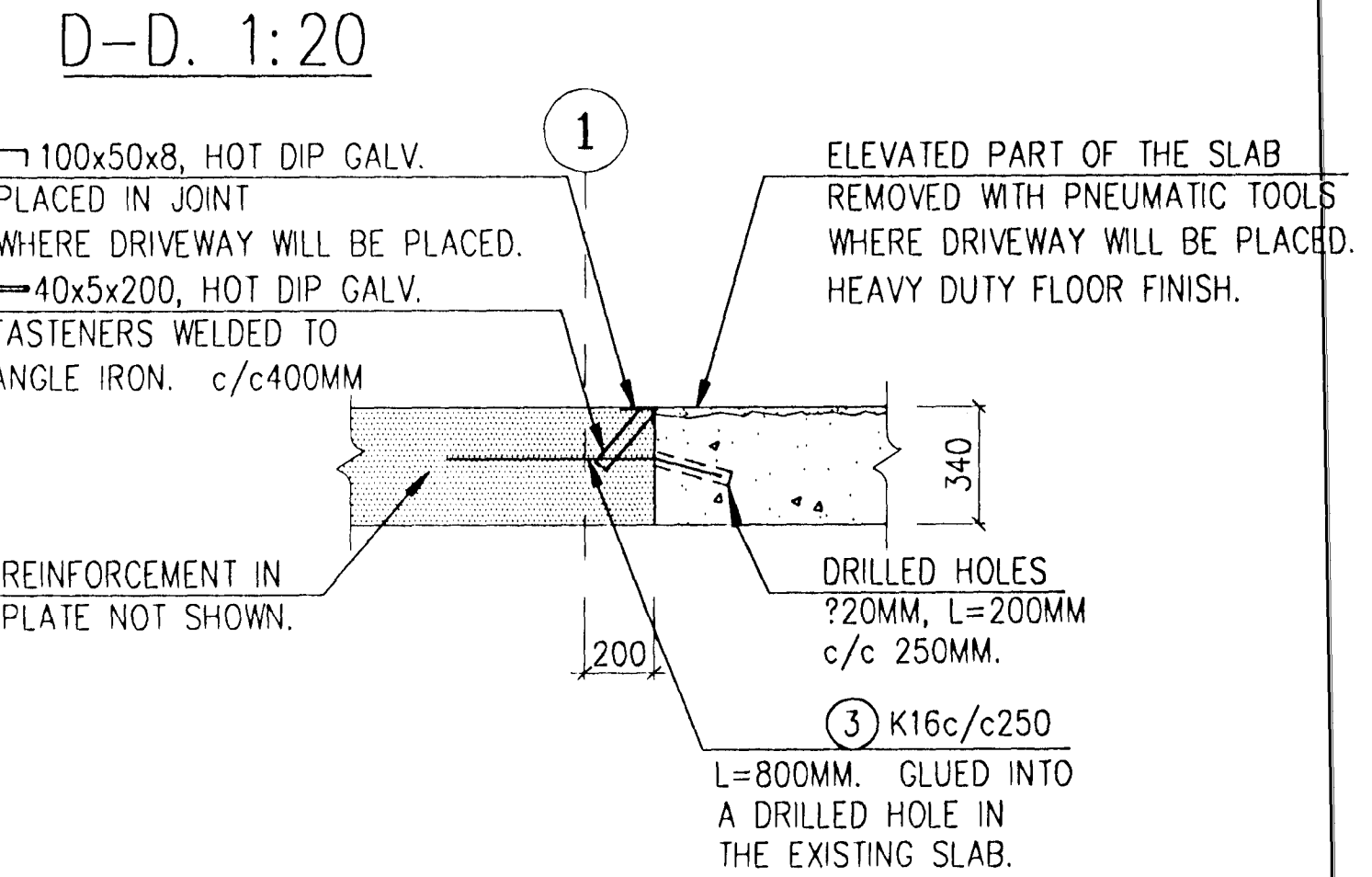
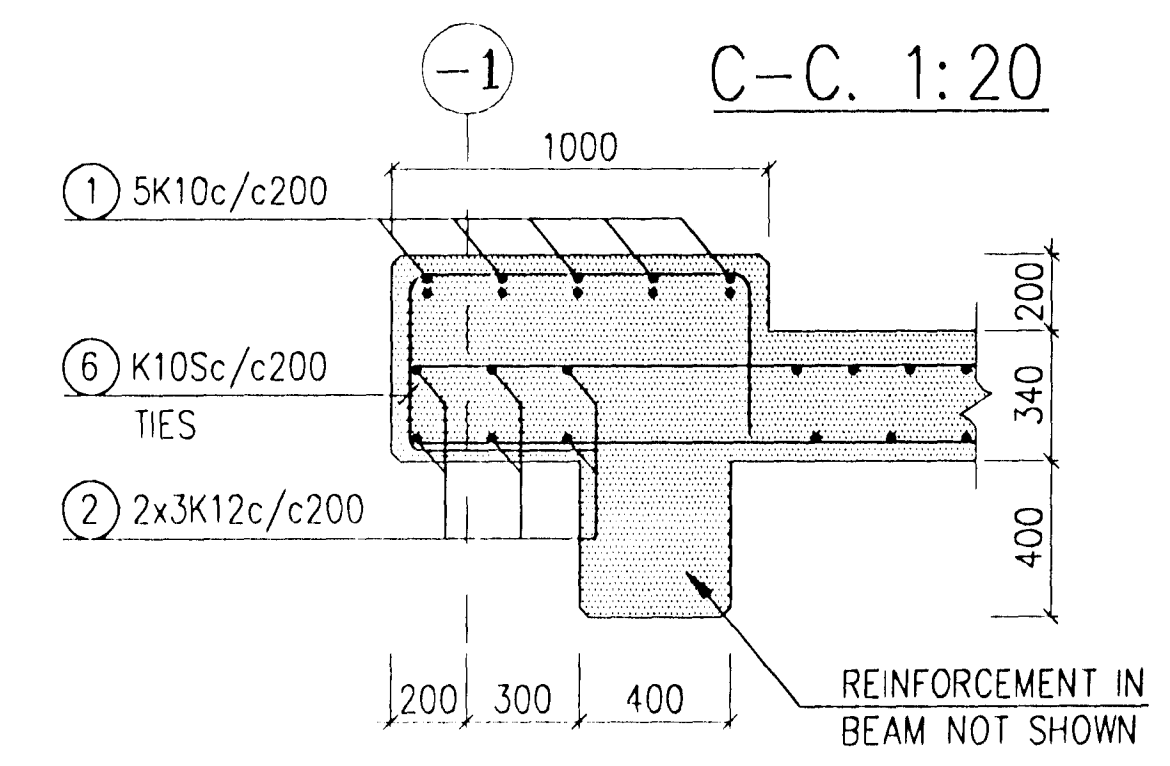
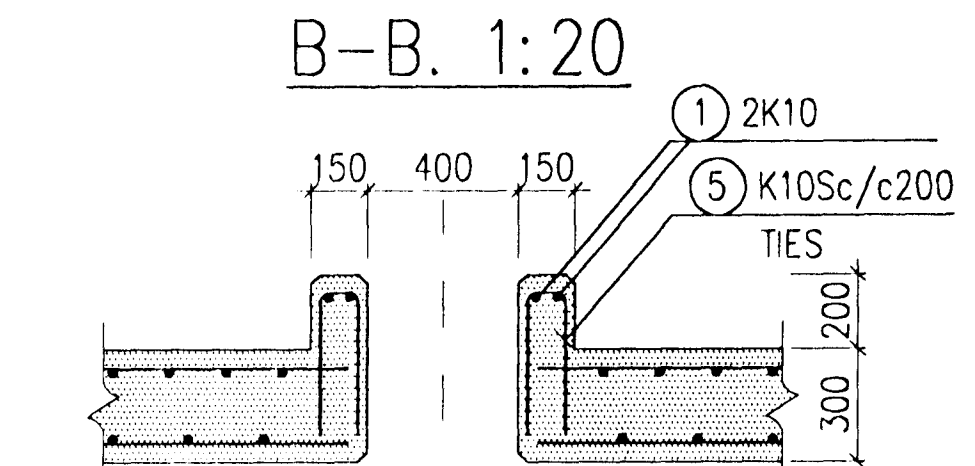
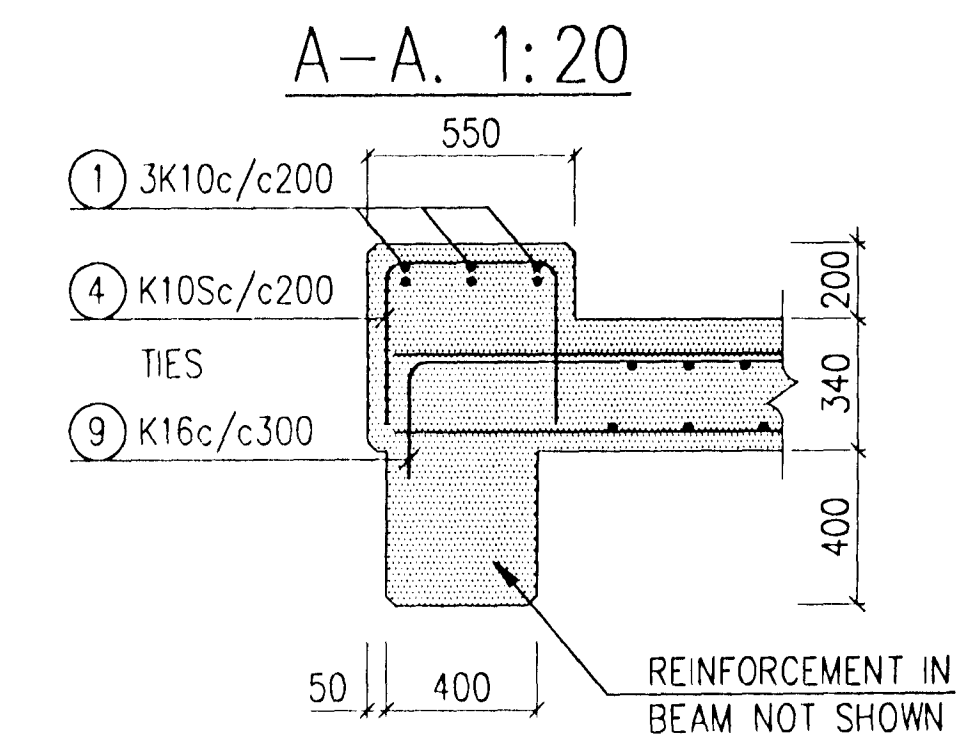
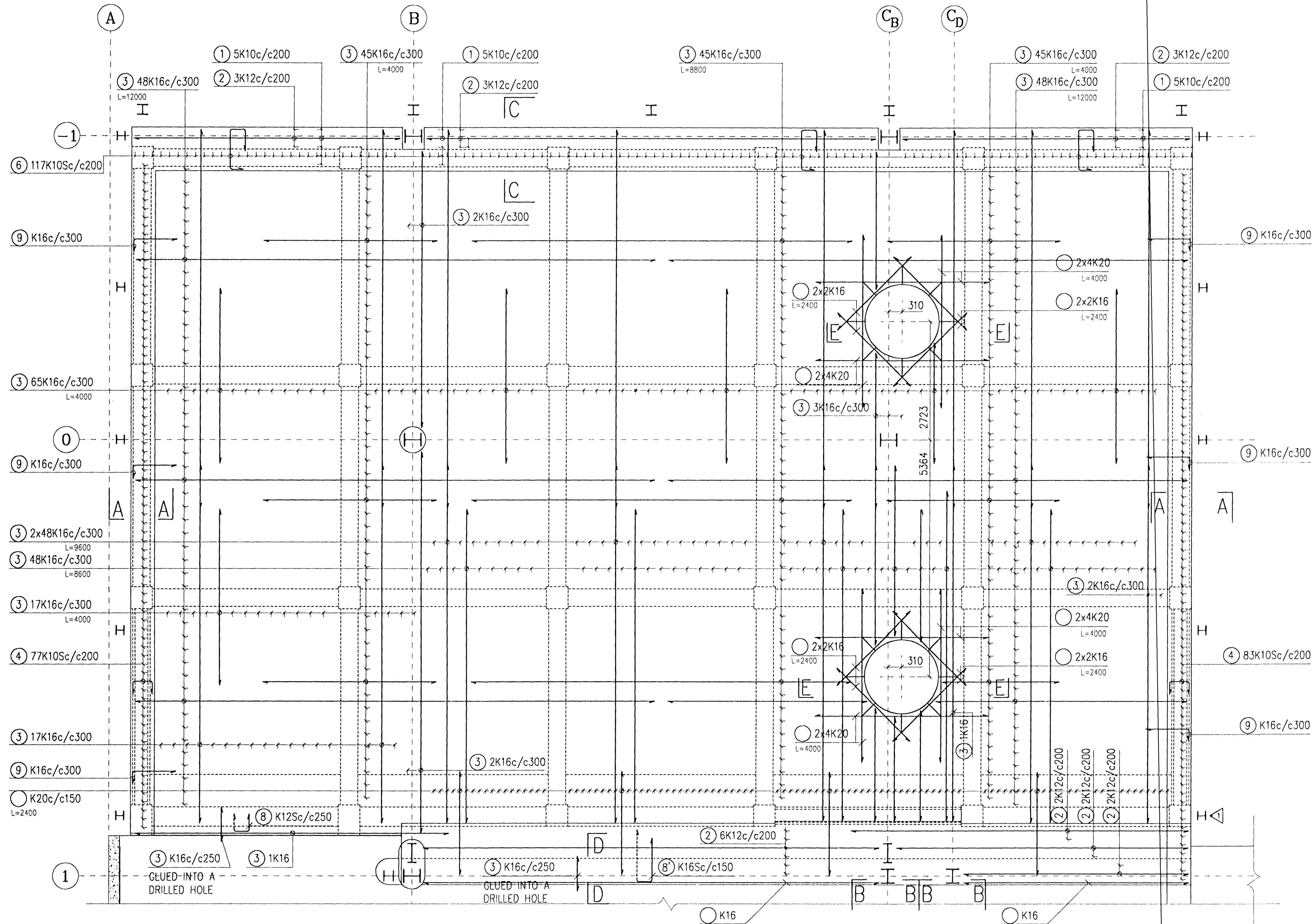


BALCONY. 1:50  
TOP REINFORCEMENT



REV. NO.	DATE	REVISION	BY	APP.	REV. NO.	DATE	REVISION	BY	APP.	NOTES
3C	10.12.1997	AS BUILD		UH						
2	21.11.1996	TWO OPENINGS IN SLAB ADDED		UH						
1	10.10.1996	GEOM. OF BEAM B1 NEAREST TO EXIST. BUILDING CHANGED		UH						
0	4.9.1996	ISSUED FOR CONSTRUCTION		UH						

This drawing is our property and given for personal use only. It may not be copied or made available to others without our permission. The receiver is responsible for any misuse.

**ICELANDIC ALUMINIUM COMPANY LTD.**

ALUSUISSE ALESA

ALUSUISSE ENGINEERING LTD. ZÜRICH SWITZERLAND

VERKFRÆDISTOFAN ÖNN SF. TÆKNITHJONUSTAN SF.

DRAWN 28.8.1996 HHH  
APPROVED 28.8.1996 UH/JK  
PROCESS  
PROJECT  
SCALE 1:50  
FORMAT A1

CASTHOUSE EXTENSION - BALCONY AREA  
STRUCTURAL  
PLAN OF BALCONY  
TOP REINFORCEMENT, SECTIONS

79000-34315

193.515

BEAMS B3 AND B4 193.517  
BEAMS B1 AND B2 193.520

DRAWING NUMBER

REVISION 3