

COLUMN C1. 1:20

QUANTITY: 12

COLUMN C2. 1:20

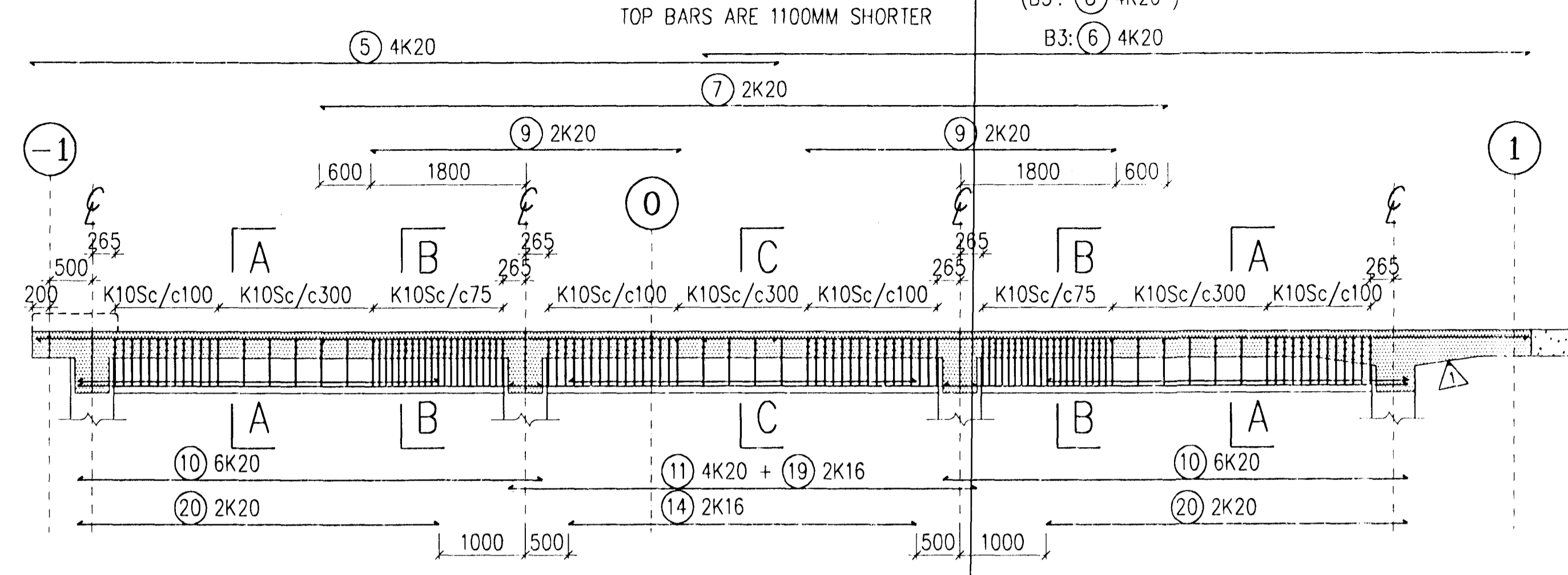
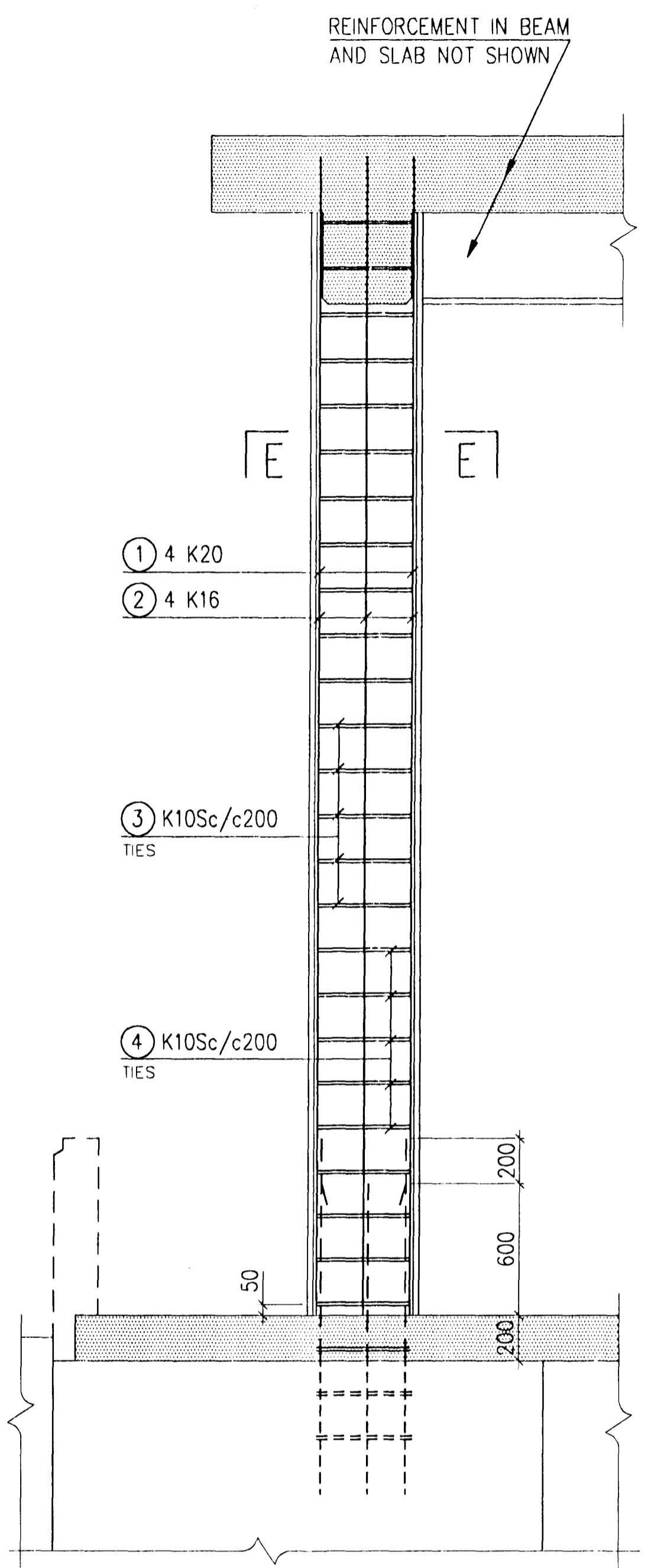
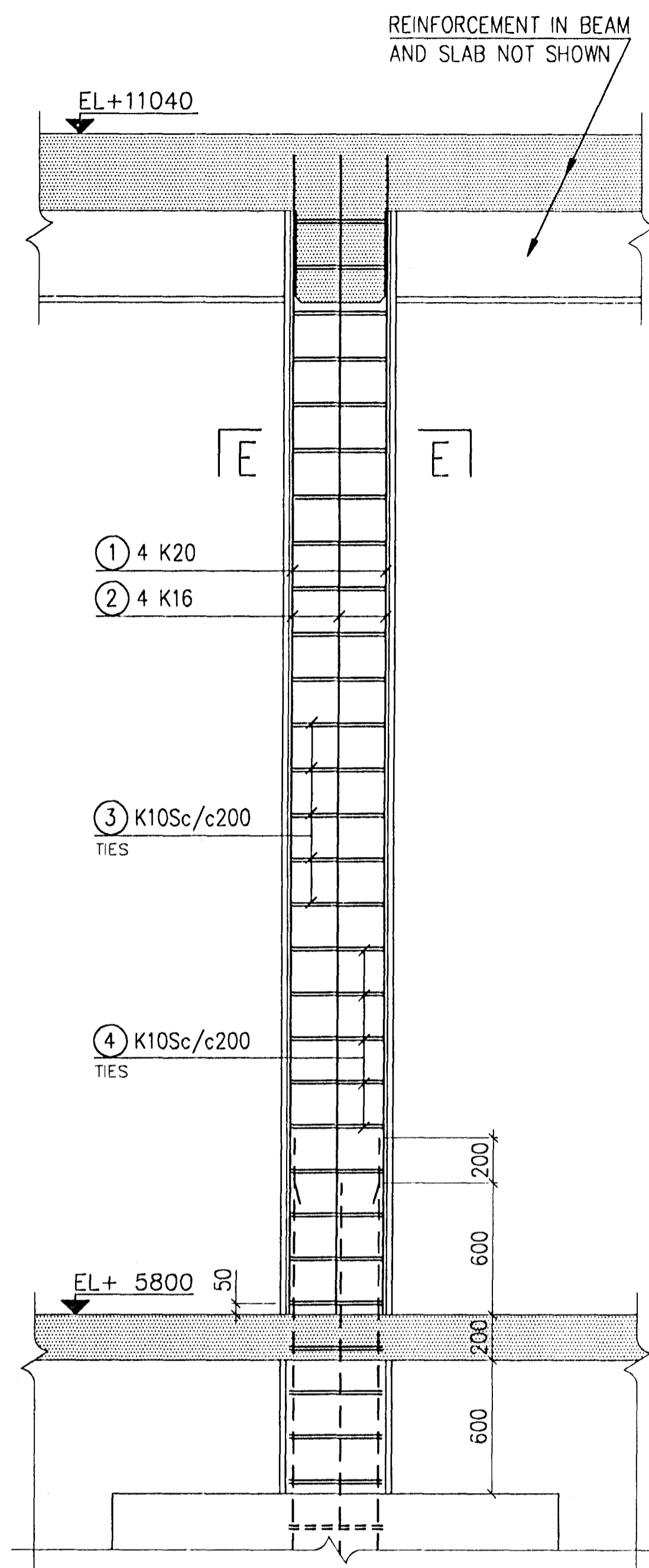
QUANTITY: 12

BEAM B3. 1:50

QUANTITY: B3: 3
B3': 1

B3' IS REINFORCED IN THE SAME WAY AS B3 EXCEPT THAT THE LONG TOP BARS ARE 1100MM SHORTER

(B3': 8) 4K20
B3: (6) 4K20



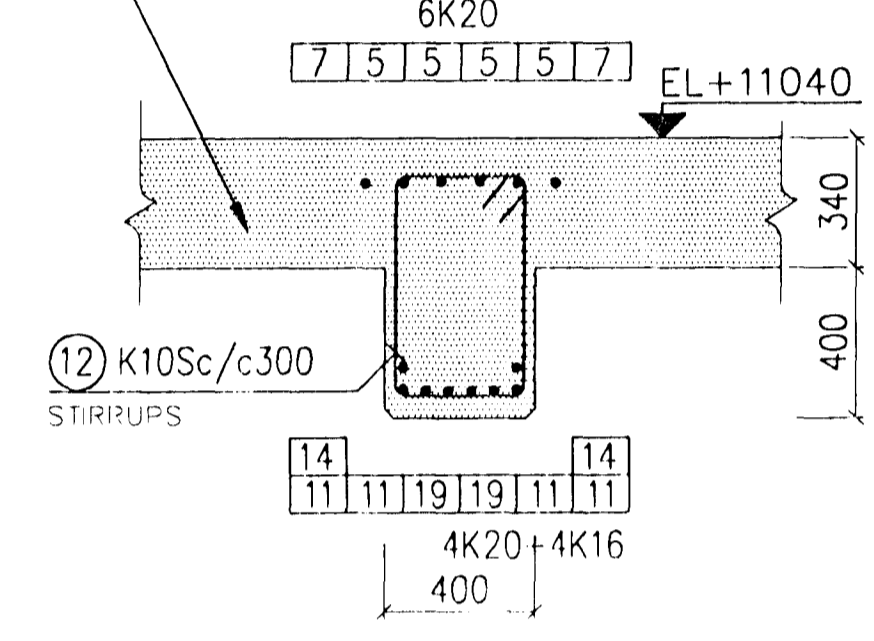
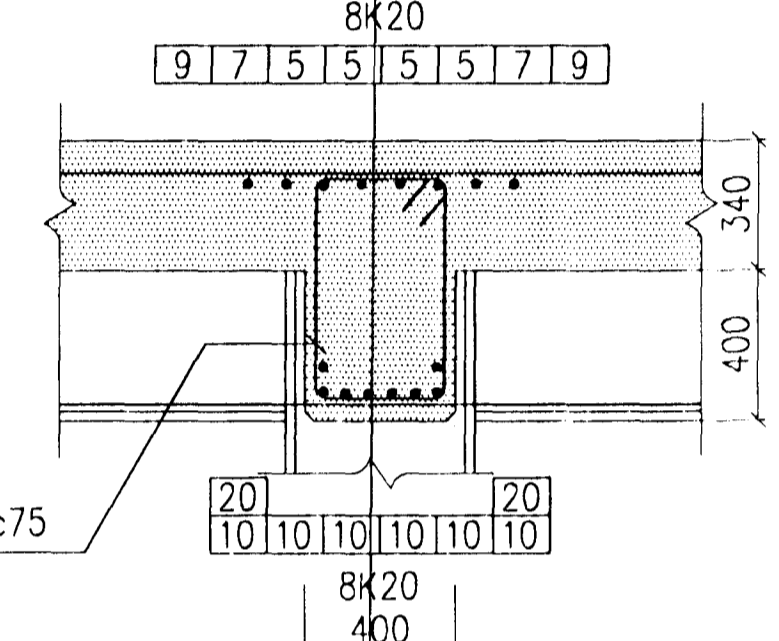
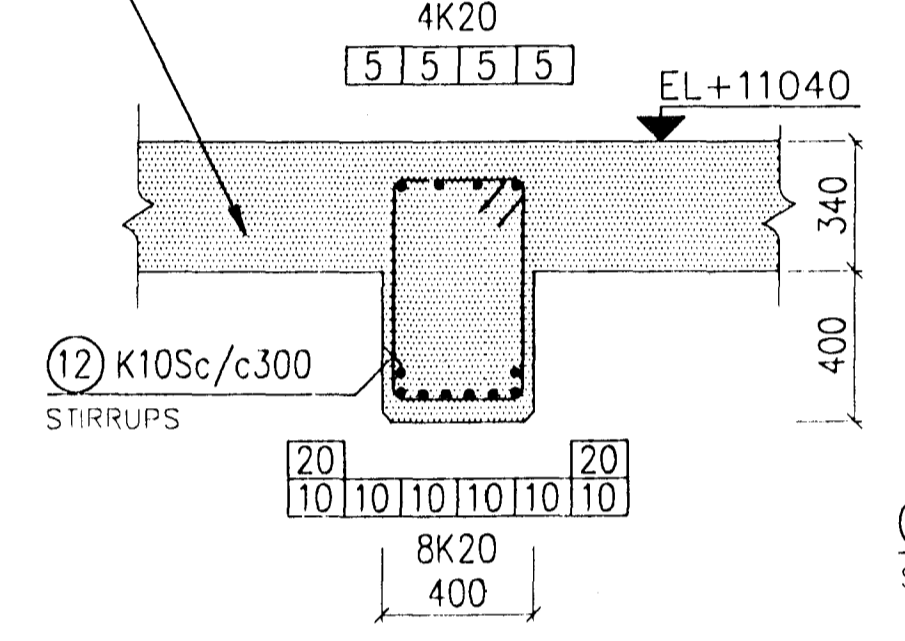
REINFORCEMENT IN SLAB NOT SHOWN

A-A. 1:20

B-B. 1:20

REINFORCEMENT IN SLAB NOT SHOWN

C-C. 1:20

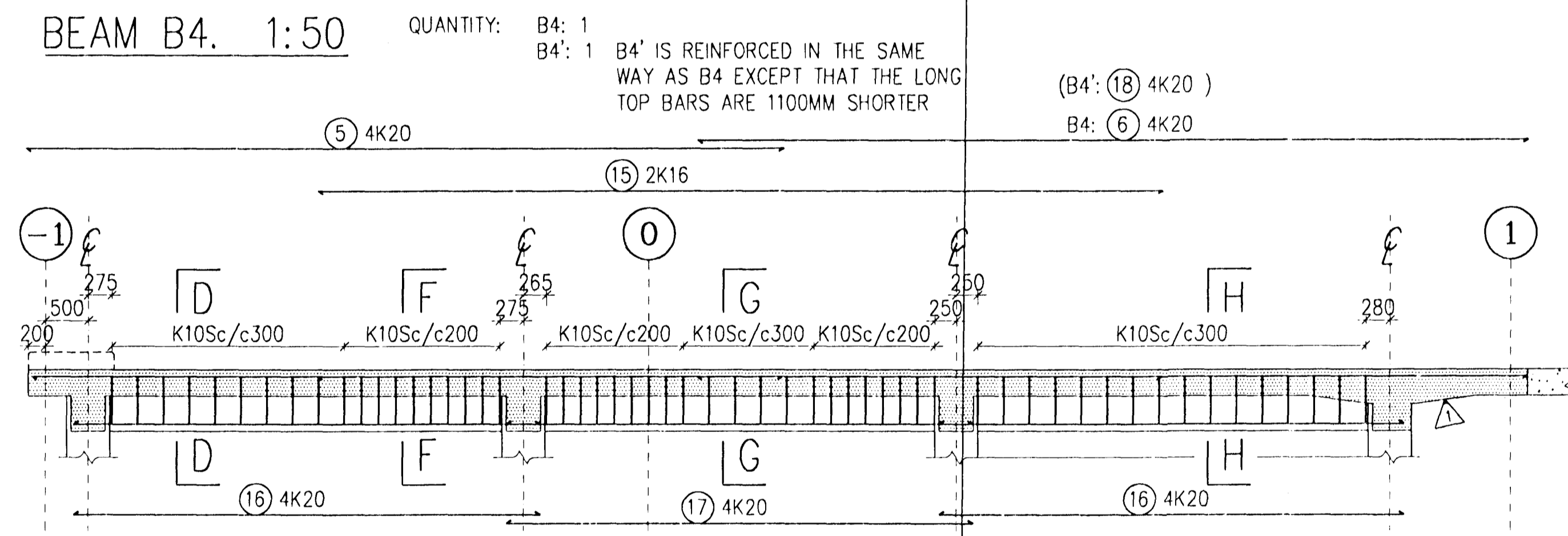
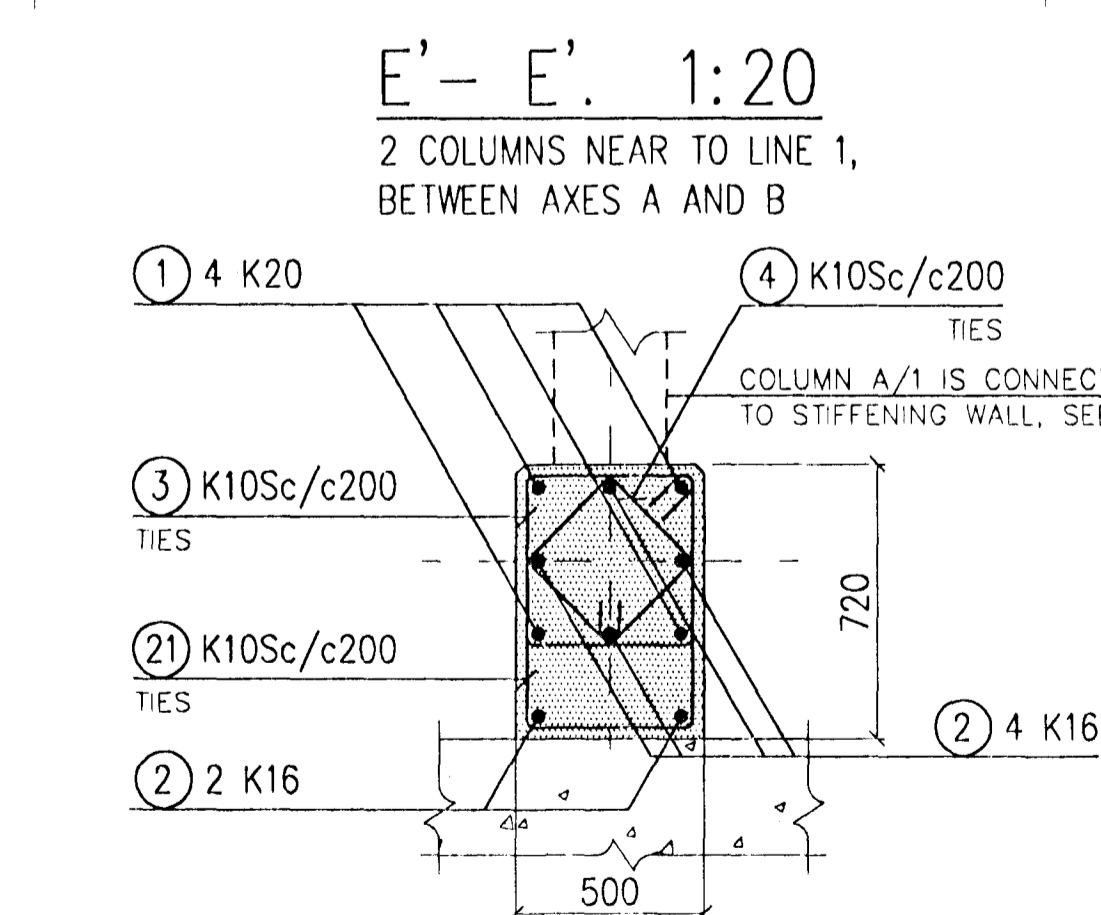
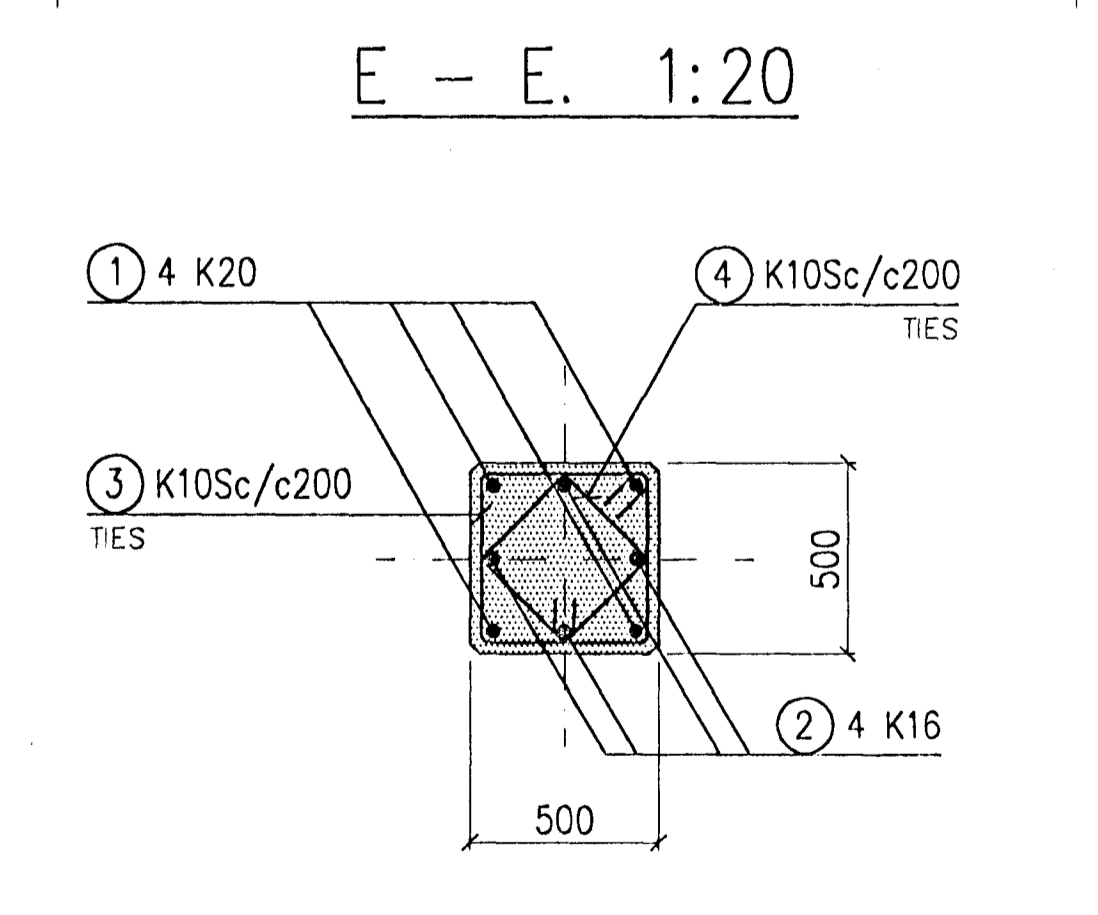


BEAM B4. 1:50

QUANTITY: B4: 1
B4': 1

B4' IS REINFORCED IN THE SAME WAY AS B4 EXCEPT THAT THE LONG TOP BARS ARE 1100MM SHORTER

(B4': 18) 4K20
B4: (6) 4K20



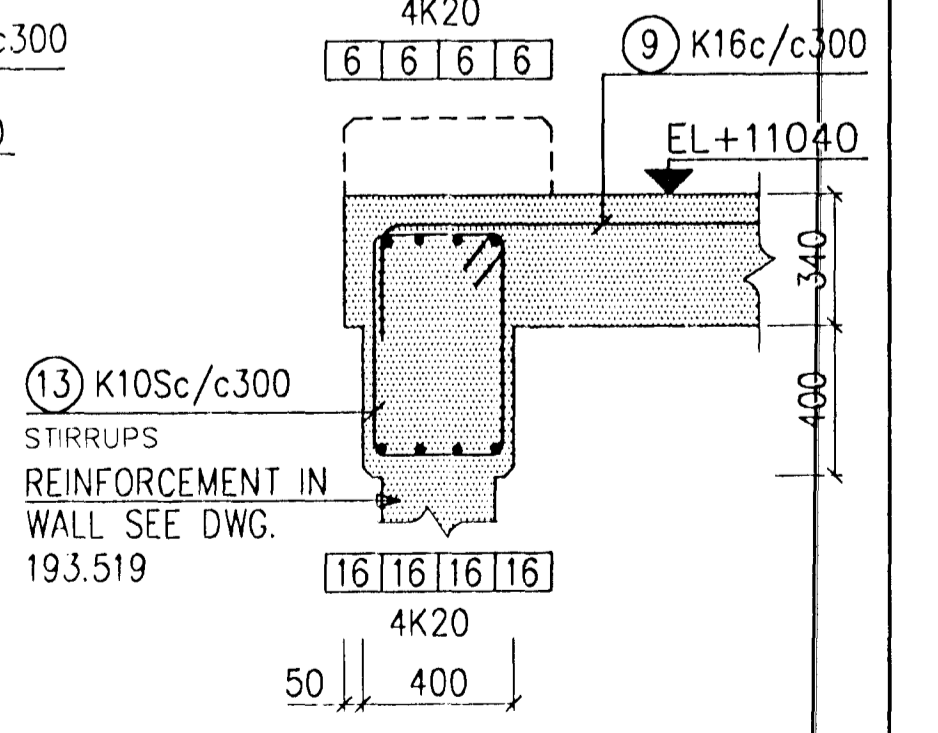
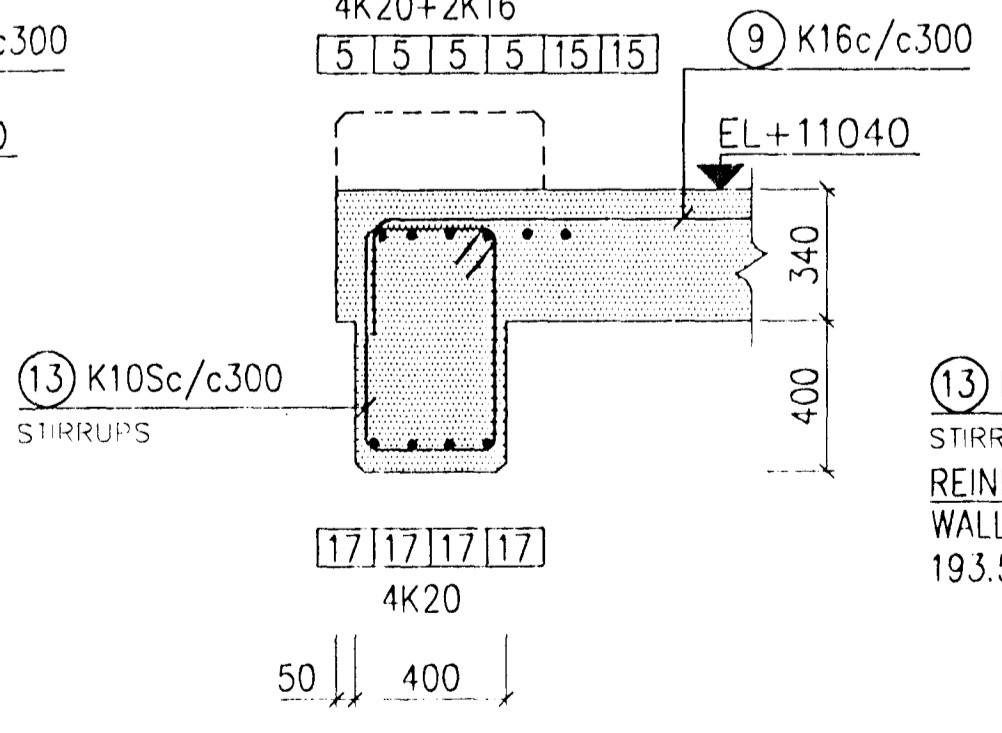
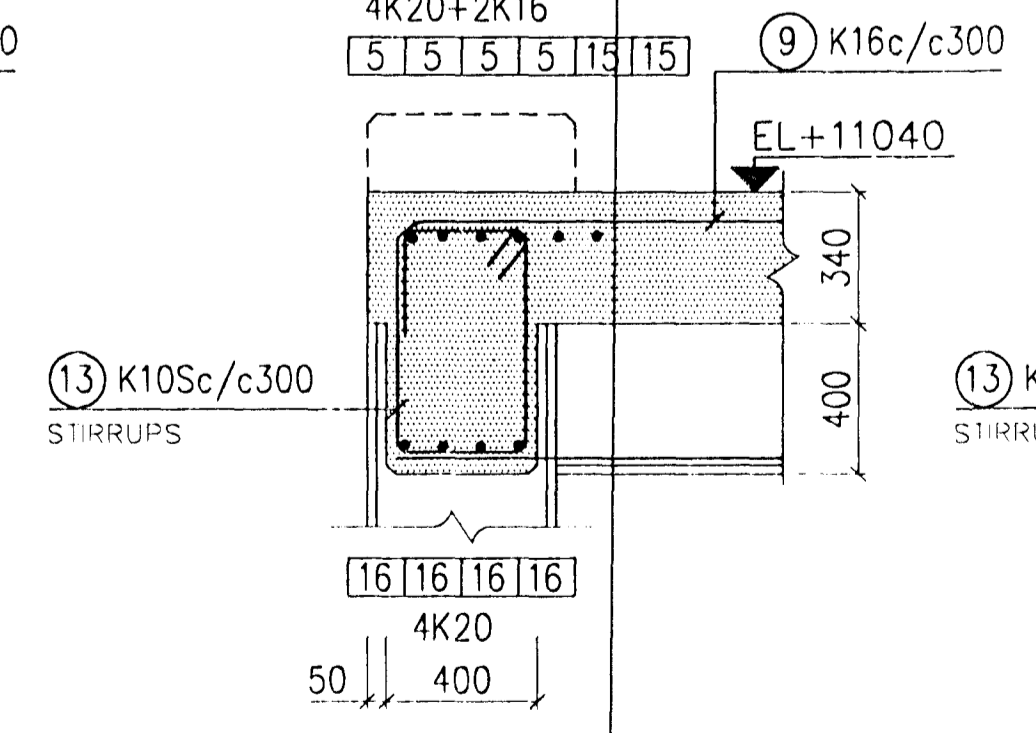
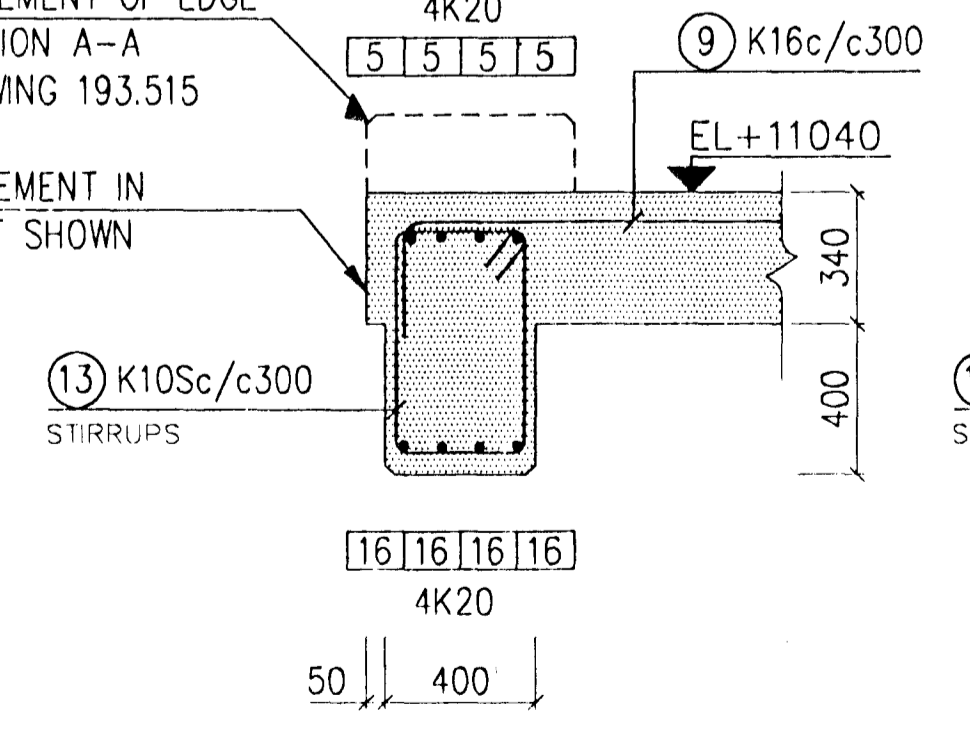
REINFORCEMENT OF EDGE SEE SECTION A-A ON DRAWING 193.515

D-D. 1:20

F-F. 1:20

G-G. 1:20

H-H. 1:20



REV. NO.	DATE	REVISION	BY	APP.	REV. NO.	DATE	REVISION	BY	APP.	NOTES	REFERENCE DRAWING	DRAWING NUMBER	SCALE	FORMAT	REVISION
2 B	3.11.1997	AS BUILD													
1	10.10.1996	BEAM B1 NEAREST TO EXIST. BUILD. CHANGED													
0	1.9.1996	ISSUED FOR CONSTRUCTION													

PLAN OF COLUMNS, PLAN OF BEAMS	193.516	This drawing is our property and given for personal use only. It may not be copied or made available to others without our permission. The receiver is responsible for any misuse.	ICELANDIC ALUMINIUM COMPANY LTD. ALUSUISSE ALESA ALUSUISSE ENGINEERING LTD. ZÜRICH SWITZERLAND VERKFRÆDISTOFAN ONN SF. TÆKNITHJONUSTAN SF.	DRAWN 1.9.1996 HHH APPROVED 1.9.1996 UH/JK PROCESS PROJECT SCALE 1:20 FORMAT A1	CASTHOUSE EXTENSION - BALCONY AREA STRUCTURAL COLUMNS C1 AND C2, BEAMS B3 AND B4. A-C / -1 -1
REFERENCE DRAWING	DRAWING NUMBER			79000-34317	2