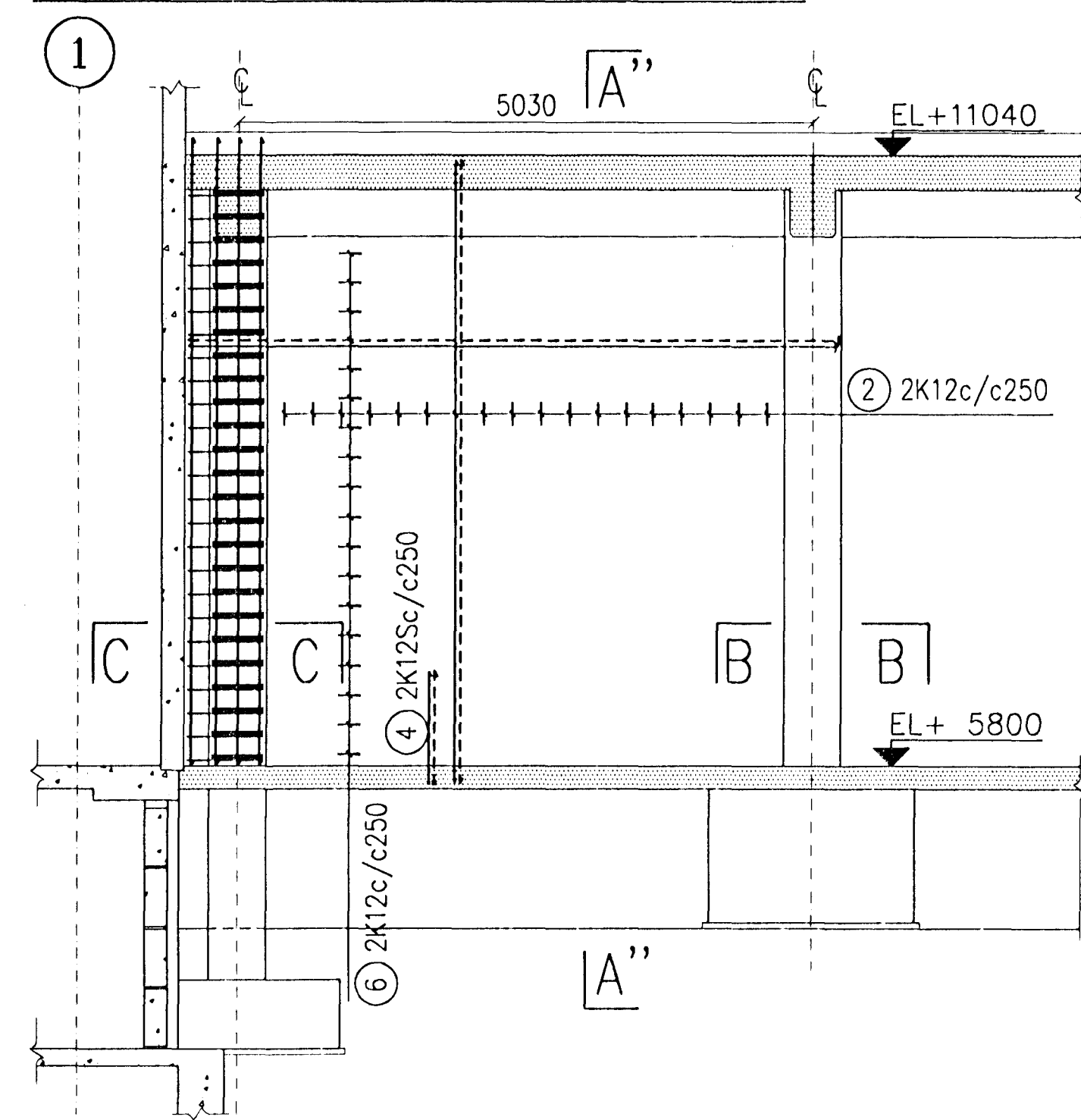
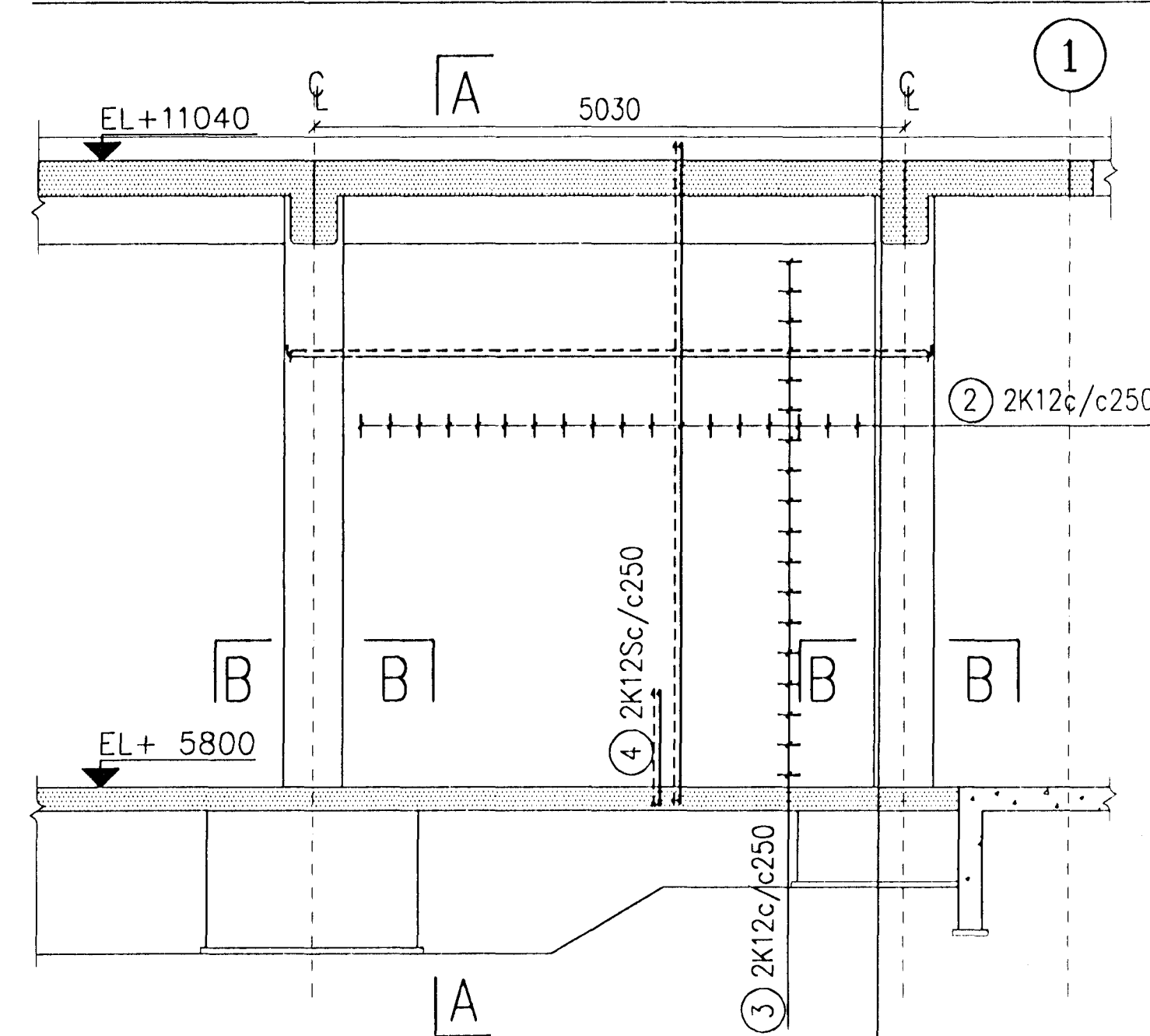


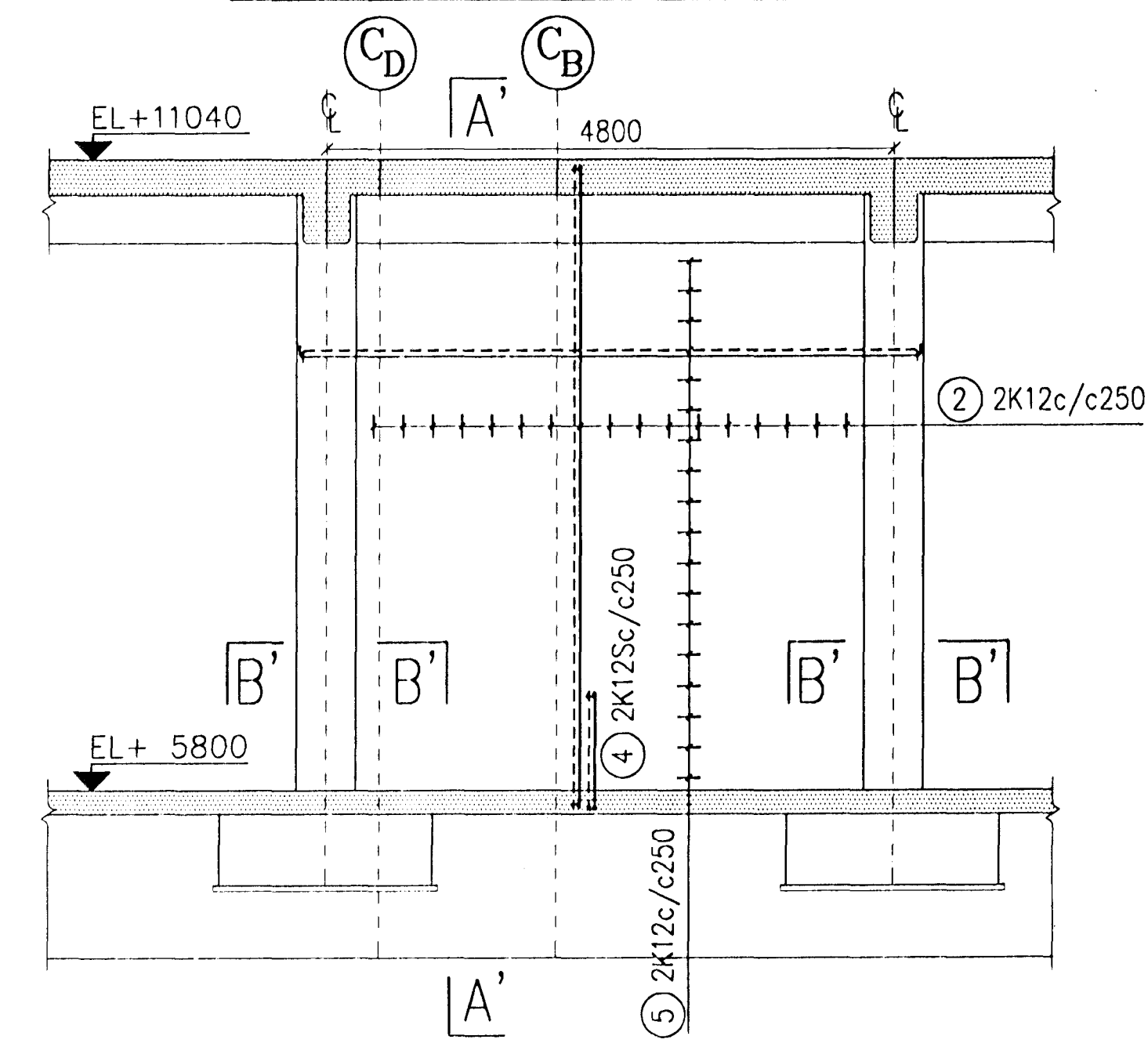
SHEAR WALL AT LINE A. 1:50



SHEAR WALL CLOSE TO NW-SIDEWALL. 1:50

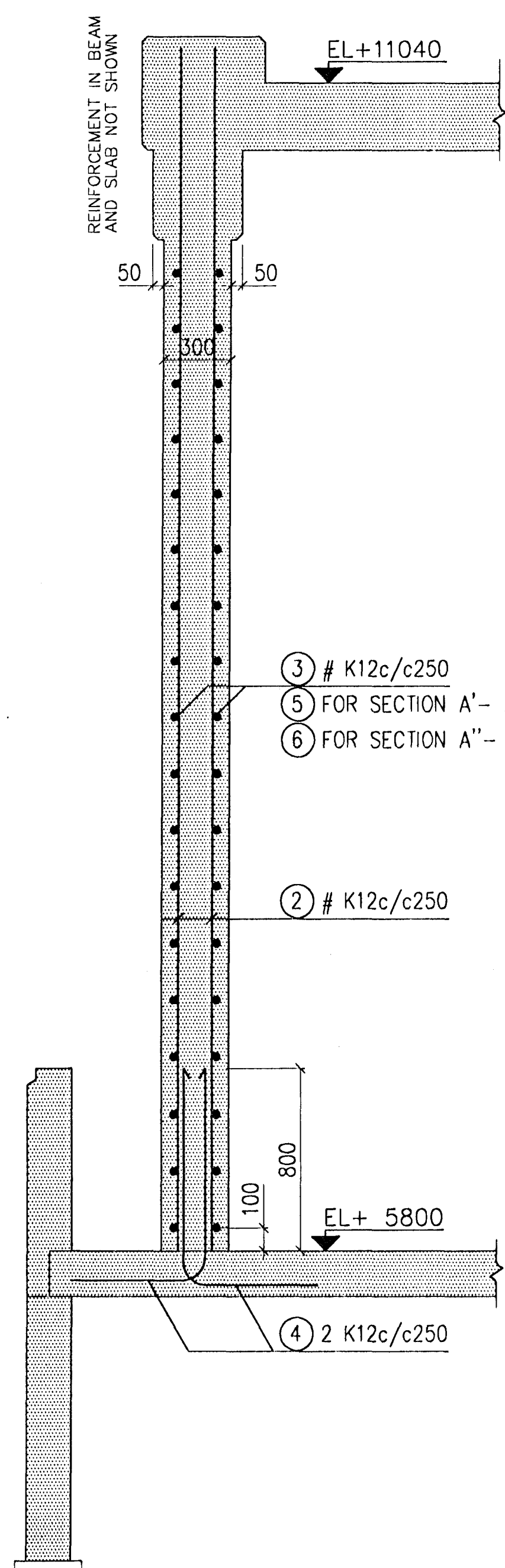


SHEAR WALL AT LINE 1. 1:50



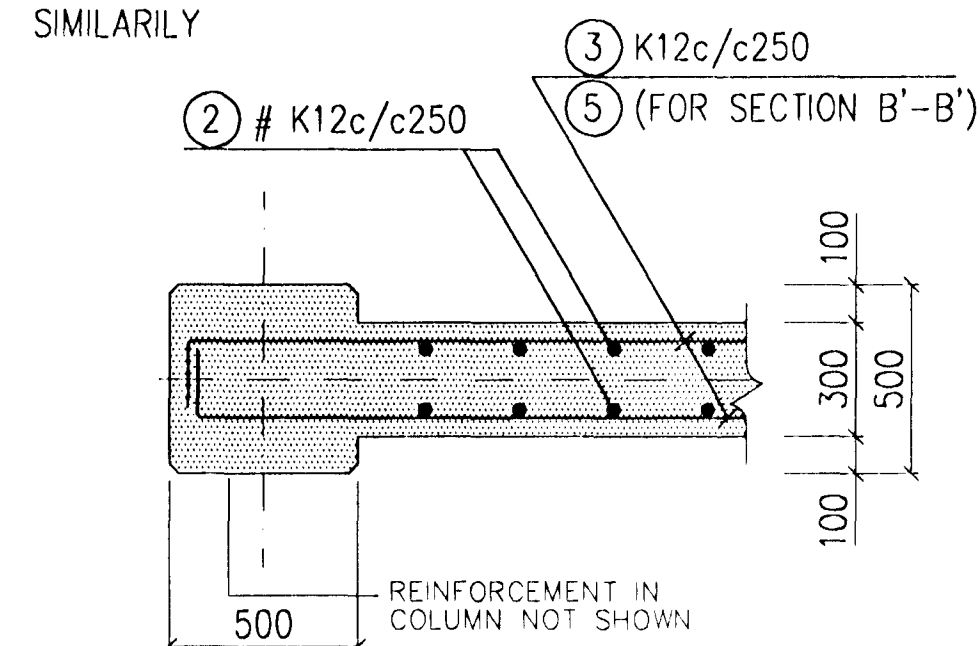
A - A. 1:20

SECTION A'-A' AND A''-A'' ARE REINFORCED SIMILARLY

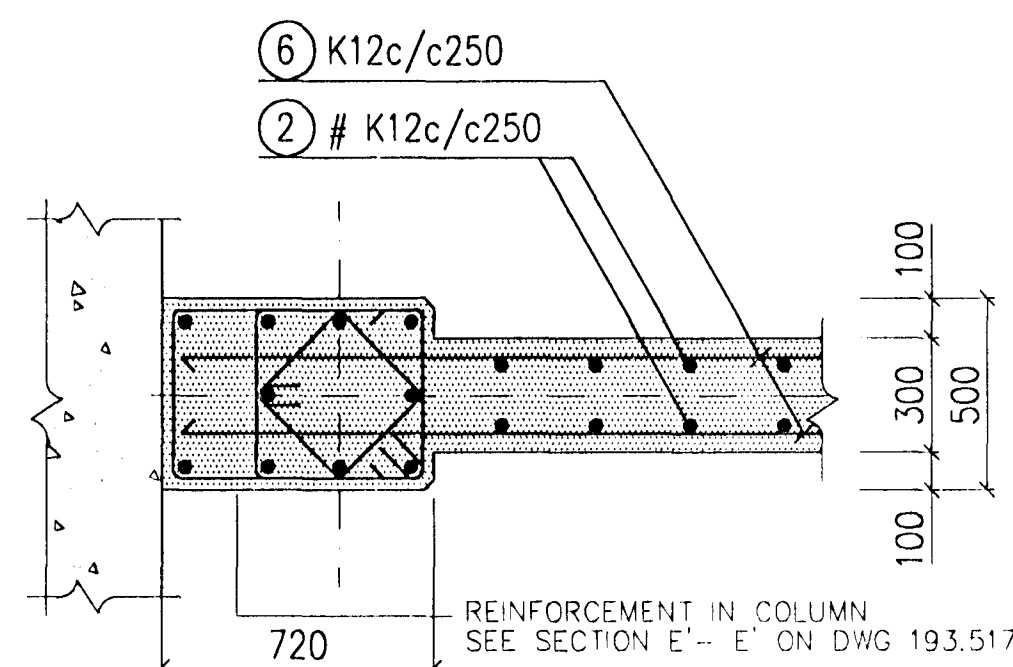


B - B. 1:20

SECTION B'-B' IS REINFORCED SIMILARLY

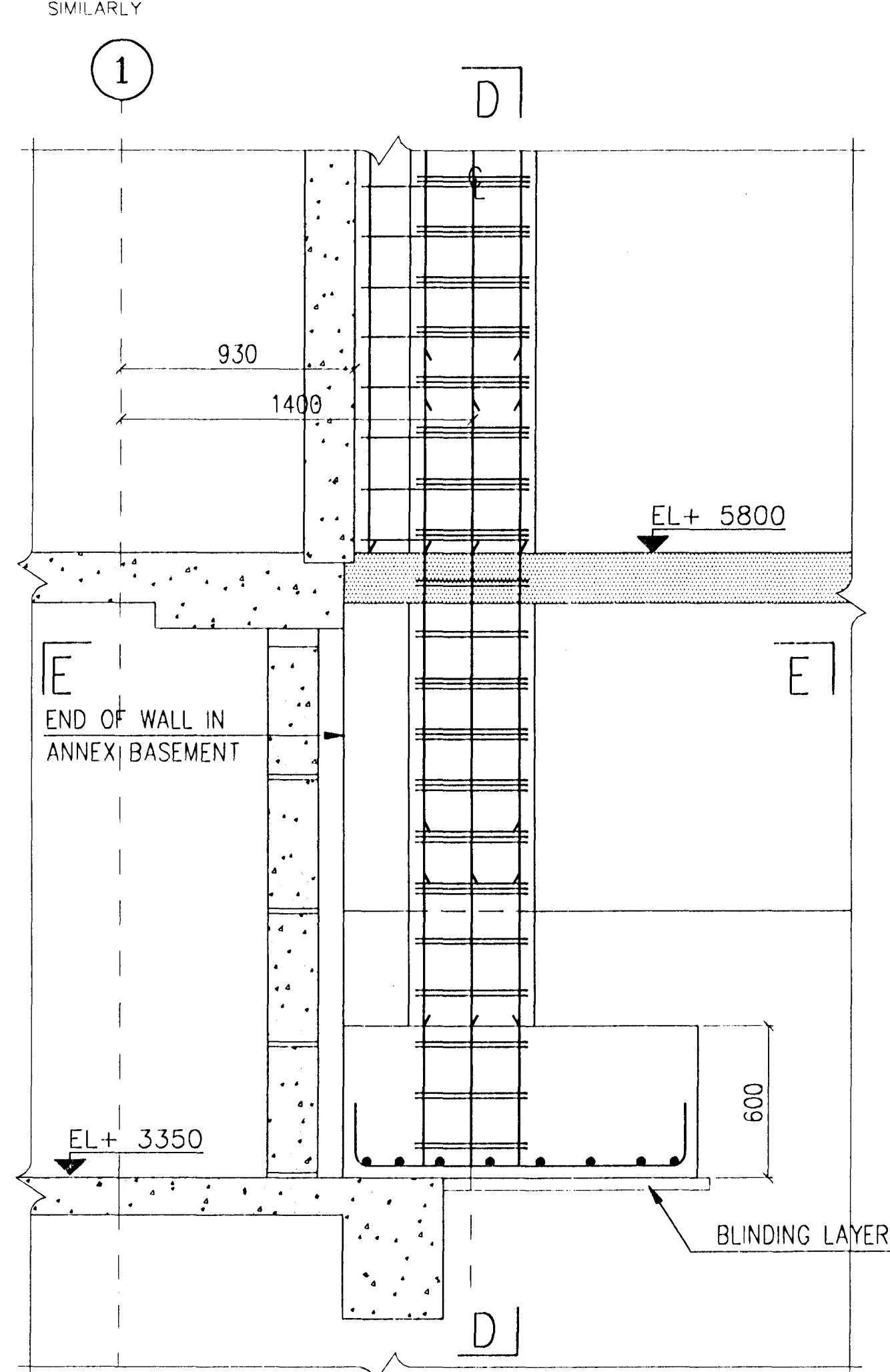


C - C. 1:20

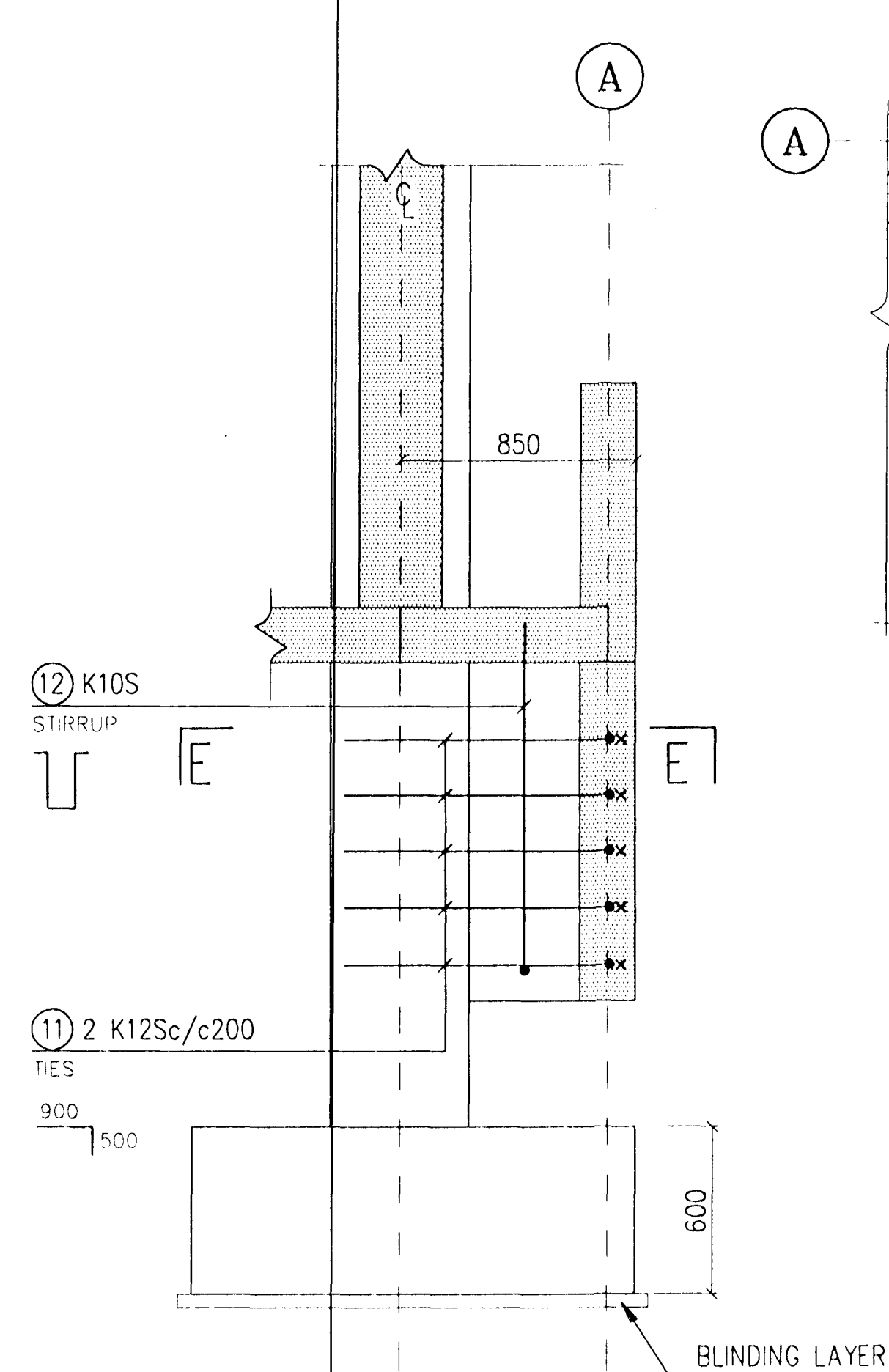


FOUNDATION F7'. 1:20

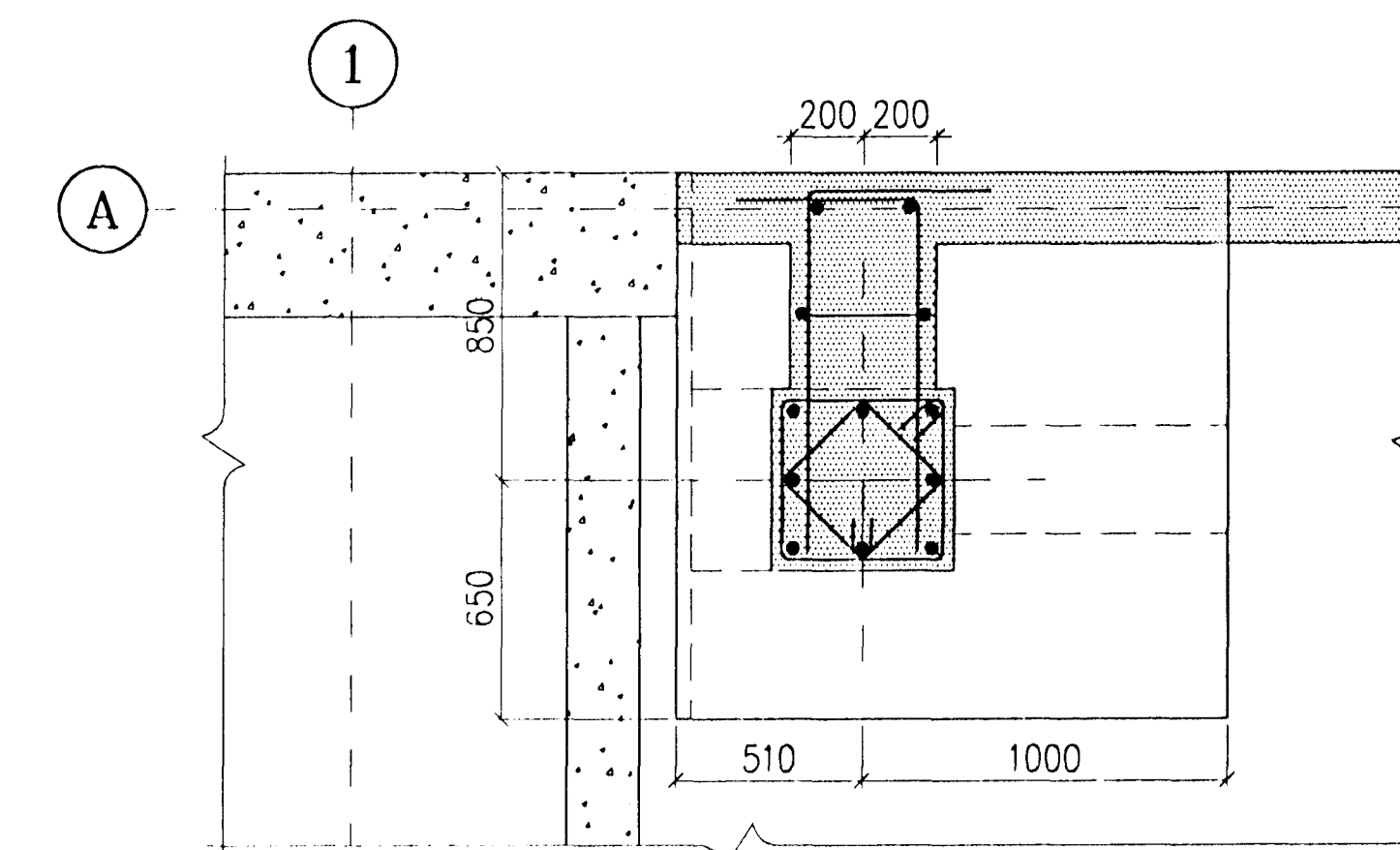
FOUNDATION F6' IS REINFORCED SIMILARLY



SECTION D-D. 1:20



SECTION E-E. 1:20



REV. NO.	DATE	REVISION	BY	APP.	REV. NO.	DATE	REVISION	BY	APP.	NOTES	REFERENCE DRAWING	DRAWING NUMBER	SCALE	REVISION
2 B	14.12.1997	AS BUILT		UH										
1	11.9.1996	WIDTH OF BUILDING ADJUSTED TO ADJ. BUILDING IN LINE A		UH										
0	30.8.1996	ISSUED FOR CONSTRUCTION												

This drawing is our property and given for personal use only. It may not be copied or made available to others without our permission. The receiver is responsible for any misuse.	ICELANDIC ALUMINIUM COMPANY LTD. ALESUJSSE ALESA ALESUJSSE ALESA ALESUJSSE ALESA VERKFRÆDISTOFAN ÖNN SF. TÆKNITHJÓNUSTAN SF.	DRAWN 29.8.1996 HHH APPROVED 29.8.1996 UH/JK PROJECT SCALE 1:50 DRAWN AT	CASTHOUSE EXTENSION - BALCONY AREA STRUCTURAL FOUNDATIONS F6' AND F7'. SHEAR WALLS 79000-34319 193.519
--	--	--	---