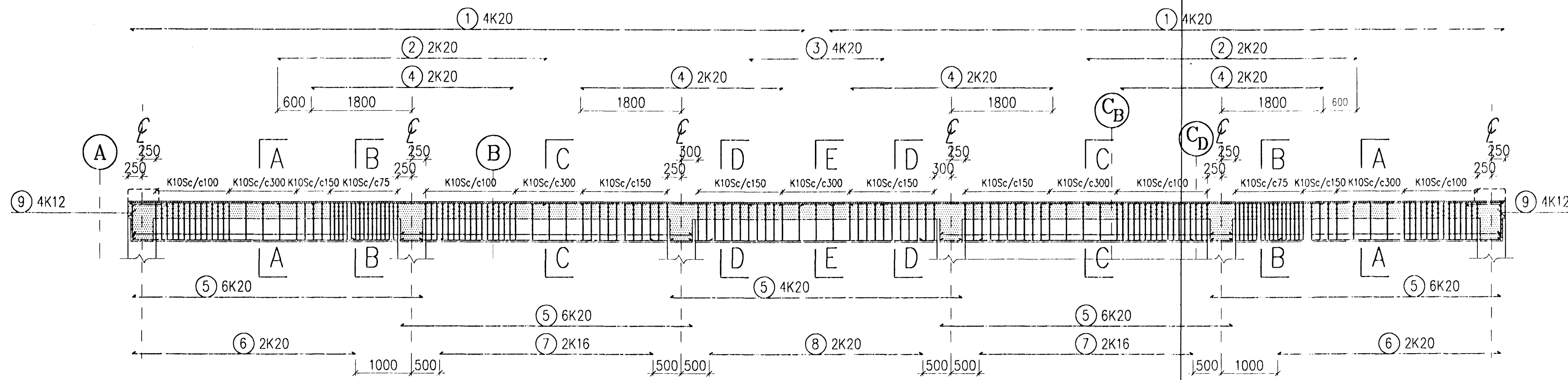


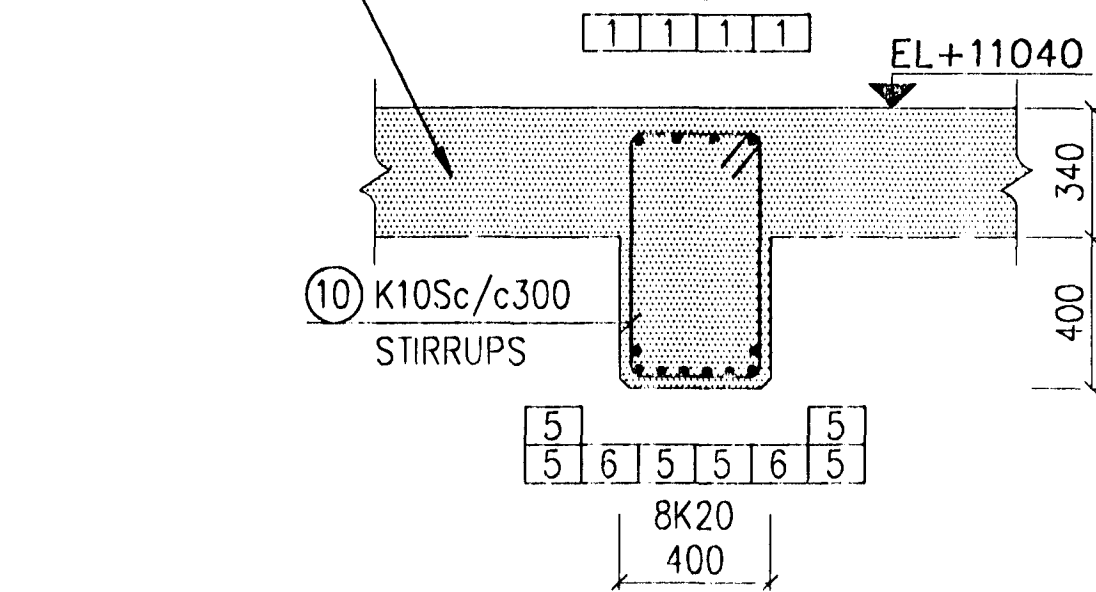
BEAM B1. 1:50

QUANTITY: 3
 IN THE BEAM CLOSEST TO LINE 1,
 AT THE SPAN WHERE CB INTERSECTS,
 THERE IS A STIFFENING WALL.
 SEE DWG. 193.519 ABOUT
 REINFORCEMENT OF WALL.

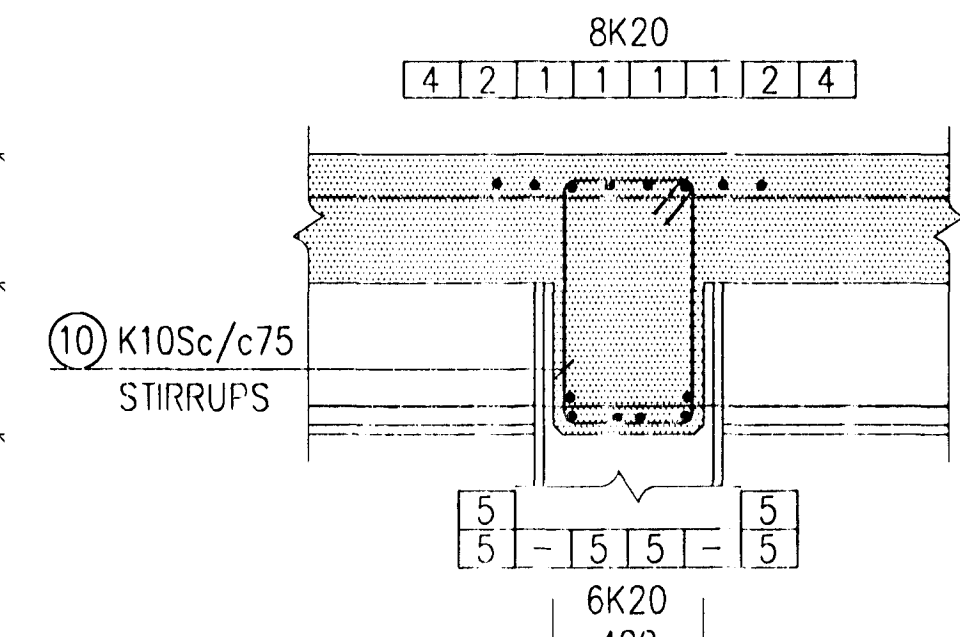


NOTE:
 THE GEOMETRY OF BEAM B1 CLOSEST
 TO EXISTING BUILDING HAS BEEN CHANGED.
 ALSO THERE HAS BEEN ADDED REINFORCEMENT
 TO THAT BEAM.
 SEE CHANGES ON DWG. 193.516.

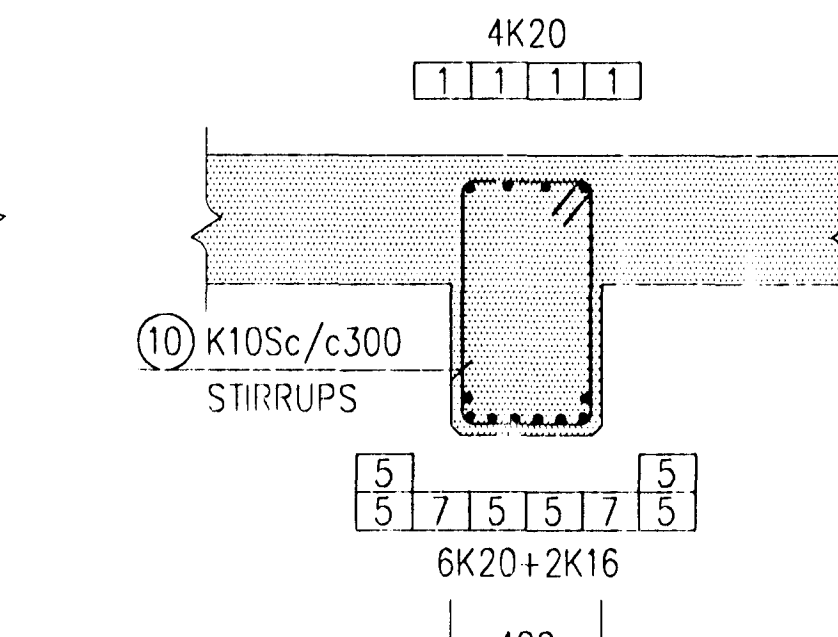
A-A. 1:20



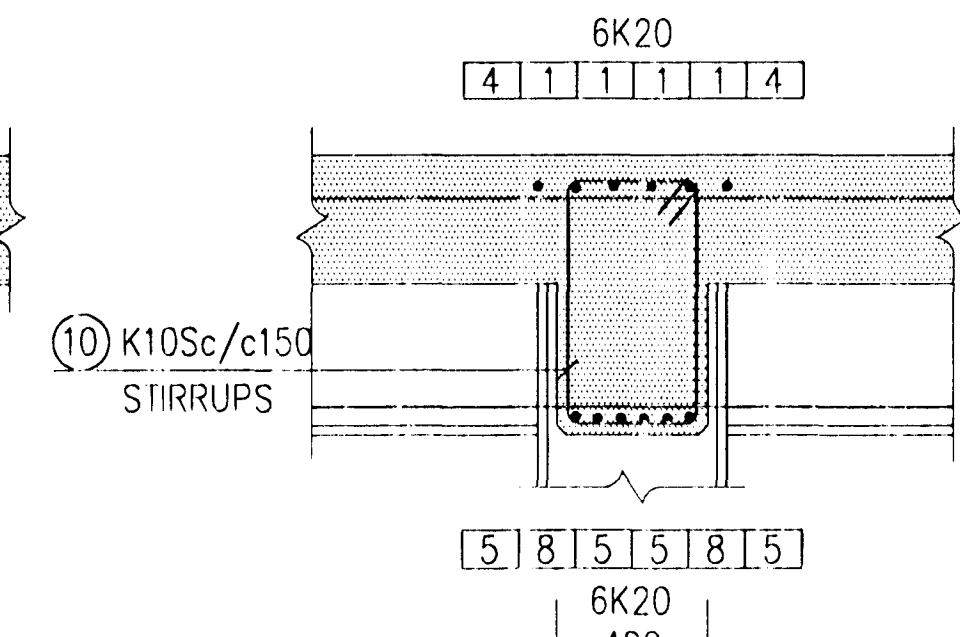
B-B. 1:20



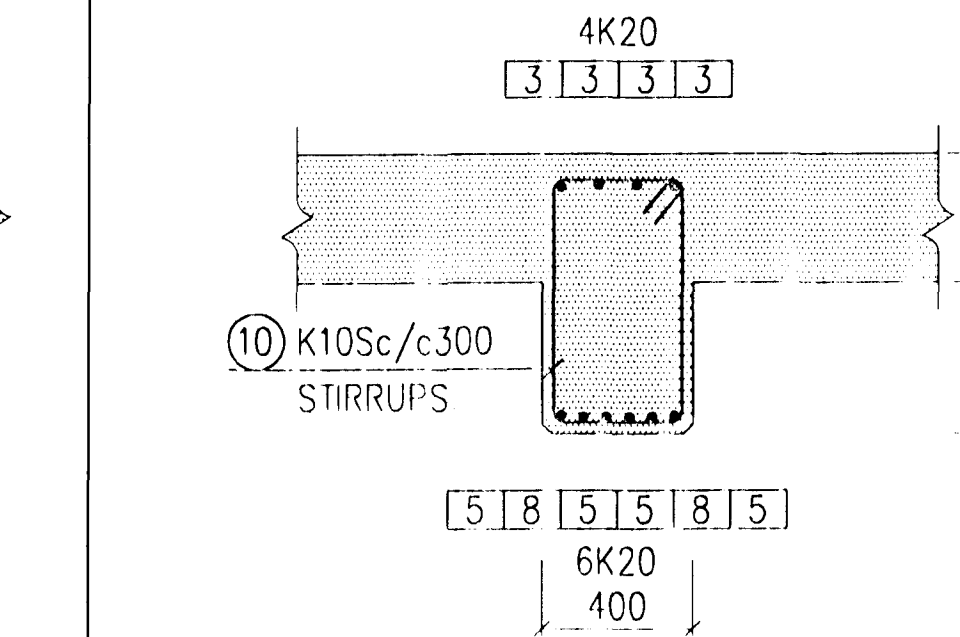
C-C. 1:20



D-D. 1:20

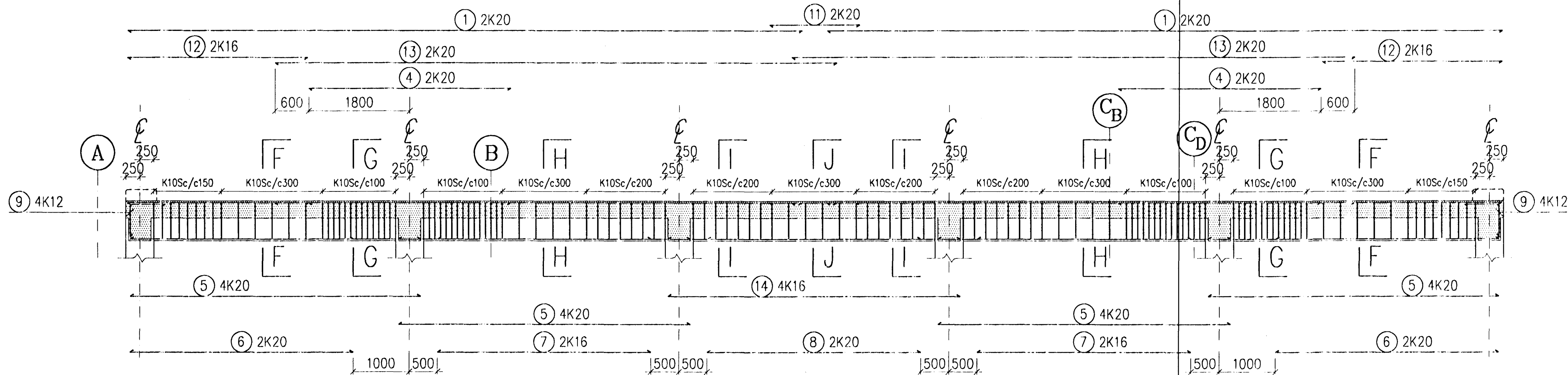


E-E. 1:20

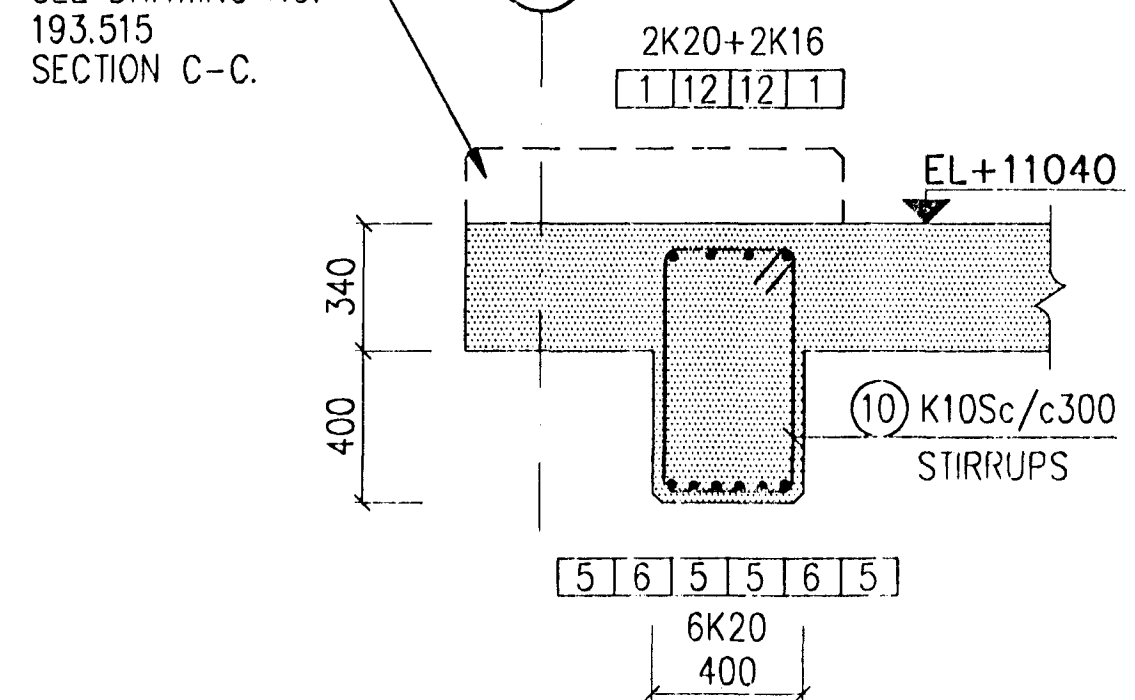


BEAM B2. 1:50

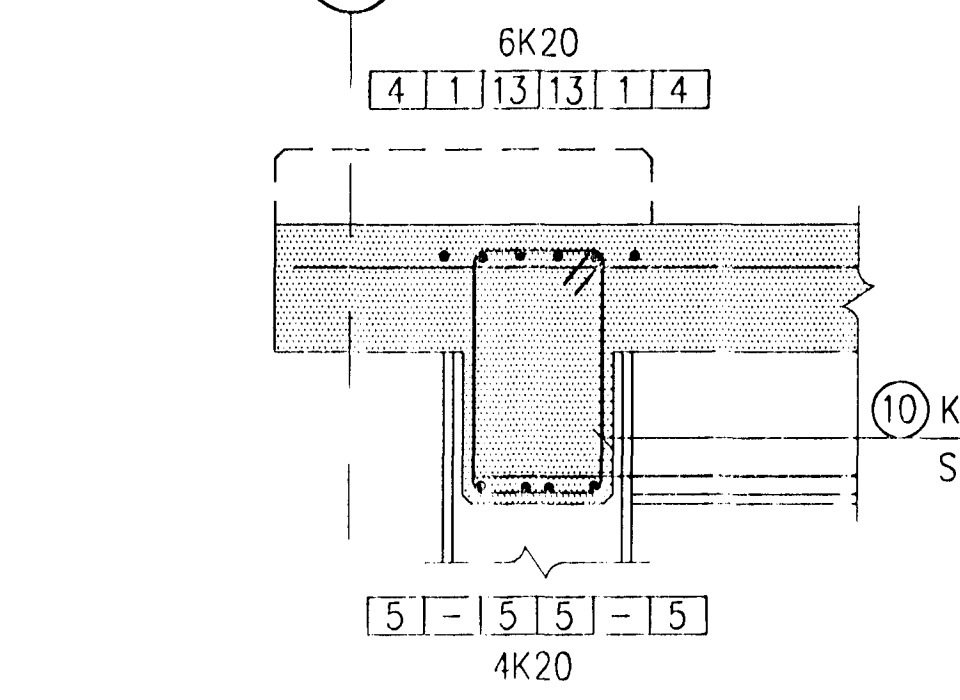
QUANTITY: 1



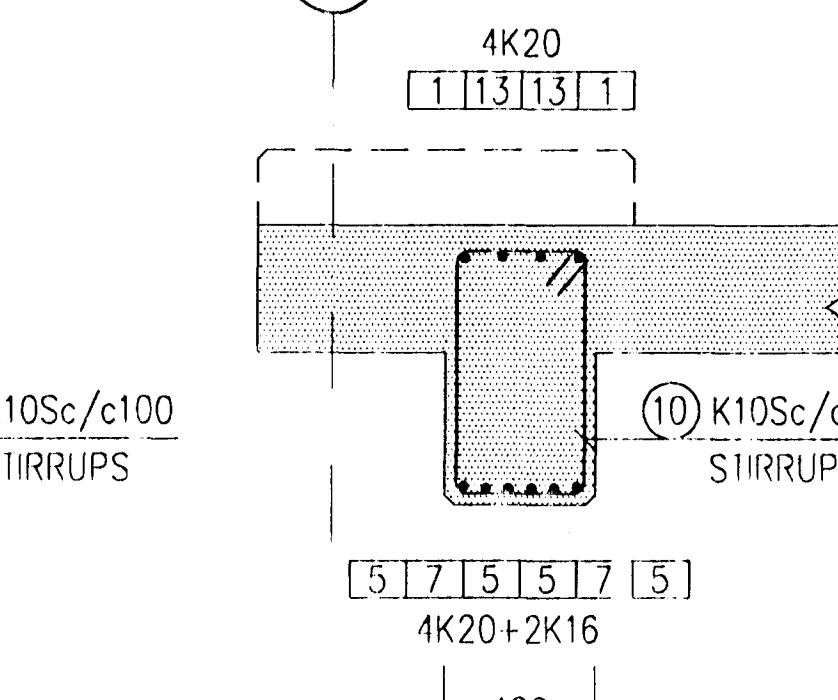
F-F. 1:20



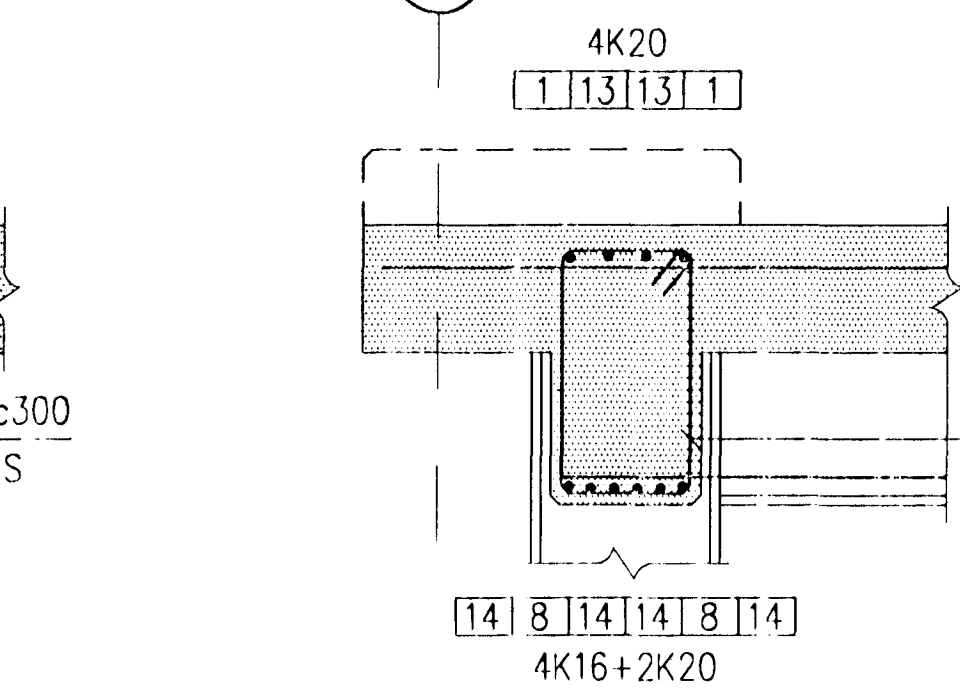
G-G. 1:20



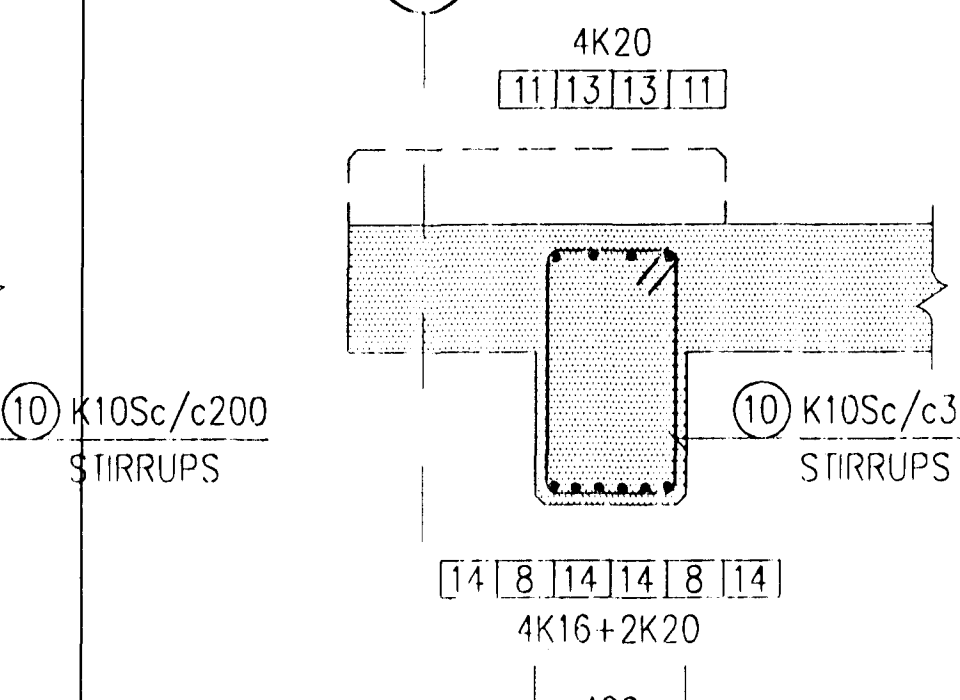
H-H. 1:20



I-I. 1:20



J-J. 1:20



REV. NO.	DATE	REVISION	BY	APP.	REV. NO.	DATE	REVISION	BY	APP.	NOTES
2B	3.11.1997	AS BUILD								
1	10.10.1996	NOTE REGARDING BEAM B1 CLOSEST TO EXISTING BUILDING								
0	2.9.1996	ISSUED FOR CONSTRUCTION								

DRAWN	2.9.1996	HHH	CASTHOUSE EXTENSION - BALCONY AREA STRUCTURAL BEAMS B1 AND B2 A - C / -1 - 1
APPROVED	2.9.1996	UH/OK	
PROCESS			
PROJECT			
SCALE	1:50	FORMAT A1	
ALESA ALUSUISSE ENGINEERING LTD. ZÜRICH SWITZERLAND			79000-34320
VERKFRÄDISTOFAN ONN SF. TÄEKNIHJONUSTAN SF.			193.520

2B	3.11.1997	AS BUILD	UH
1	10.10.1996	NOTE REGARDING BEAM B1 CLOSEST TO EXISTING BUILDING	UH
0	2.9.1996	ISSUED FOR CONSTRUCTION	UH

This drawing is our property and given for personal use only. It may not be copied or made available to others without our permission. The receiver is responsible for any misuse.

PLAN OF BEAMS
 REFERENCE DRAWING
 193.516
 DRAWING NUMBER

9.98