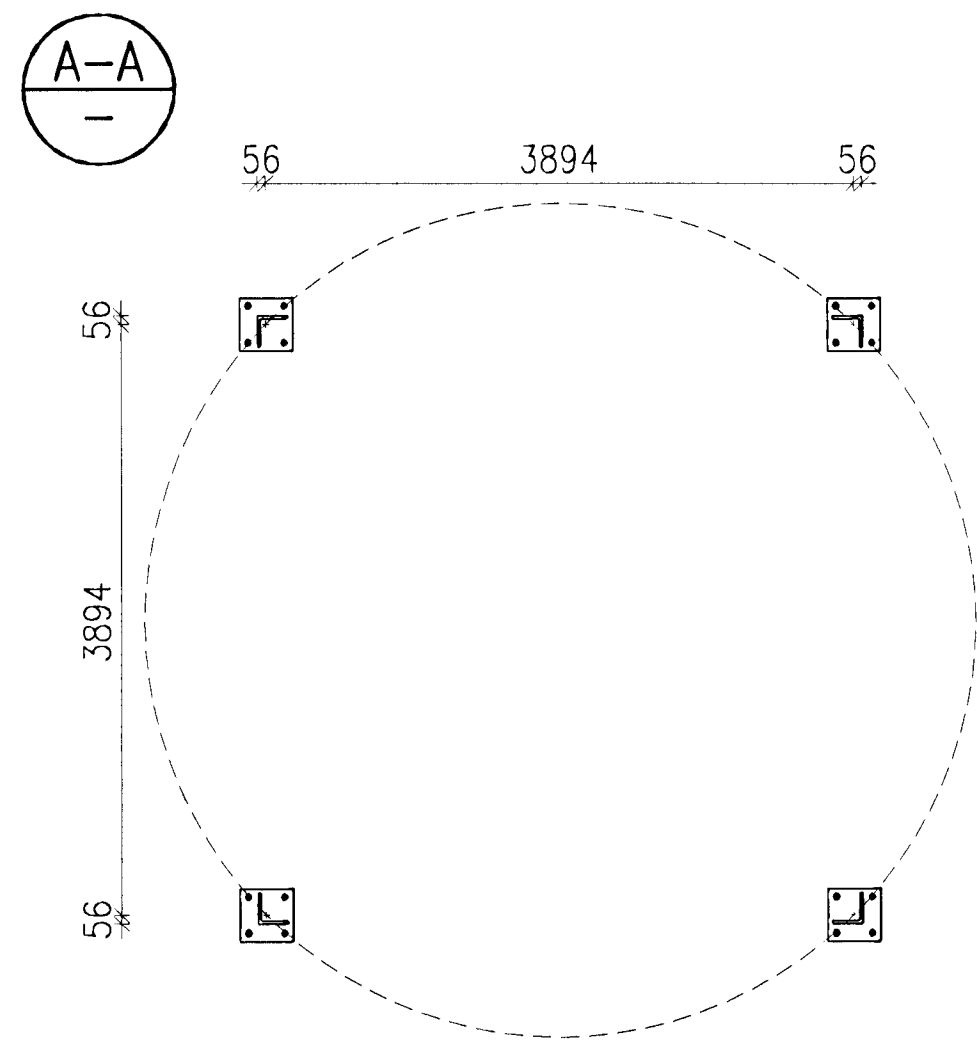
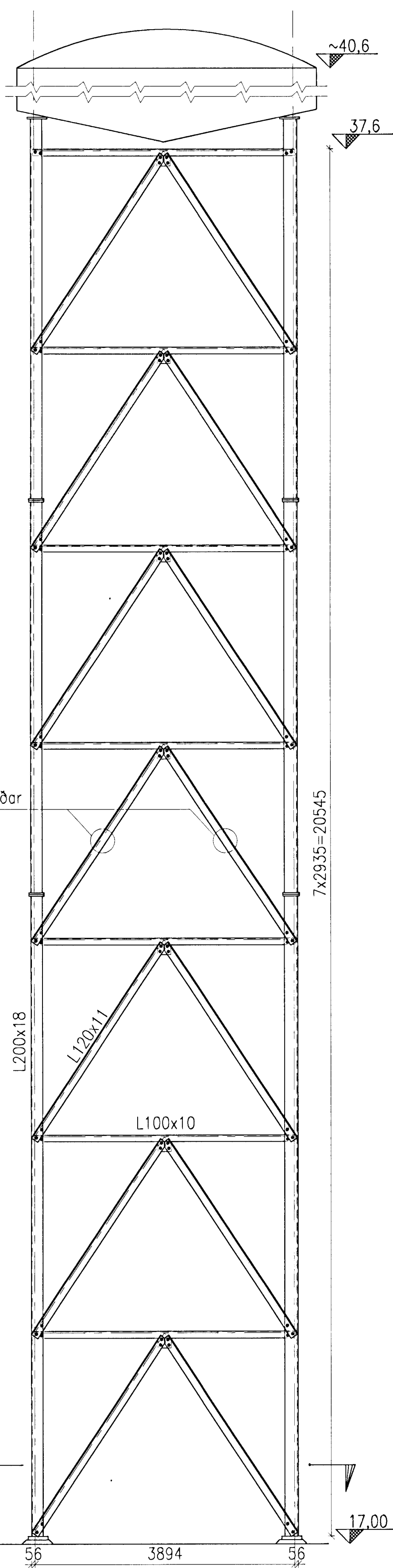


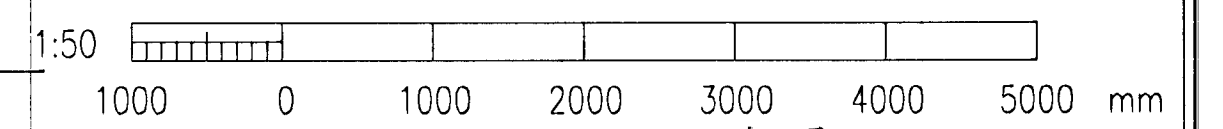
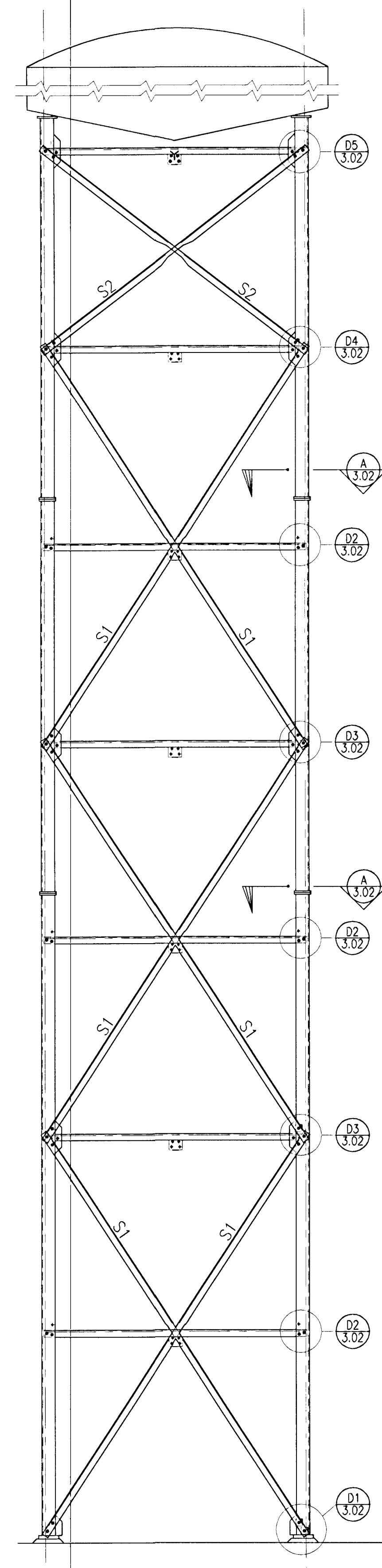
Vatnstankur



NÚVERANDI STIFING



BREYTT STIFING



Skýringar:  
Explanations:

This drawing is the property of the ICELANDIC ALUMINIUM CO. LTD. and handed out for personal use only. It may neither be copied nor made available to others without permission of the ICELANDIC ALUMINIUM CO. LTD. The receiver is liable for any misuse.		Filid stýkinga Number of pieces IV III II I	Hlutur Object VATNSTANKUR STYRKING ASÝND	Eign Material 16 OKT. 2009	Eign Total of held 1 (2) Bygnd	Athugasemdir Remarks Malkvarði Scale 1:50 Staðfrumteikn Format of orig. A1 Öðna-Eigtype-Eqno. 4020GG 1521
Dregi Rev. Tilvitnunar nr. ISAL Refdrawing no. of ISAL	Breyting Revision	Dags Date	Gert af Made by	Samþykkt Approved	Vörðun Checked EVV AGÚST 2009	Ni Sambýkt Approved 165376
Tiltalstekning nr. ISAL Assembly drawing no. of ISAL	Samsetningartekning nr. ISAL Assembly drawing no. of ISAL	VST Verkfæðistofa Sigurðar Thoroddsen hf. Icelandic aluminium co. ltd. p.o. box 244 Is-222 Hafnarfordur, Iceland	99.110-23.01	165376	165376	165376