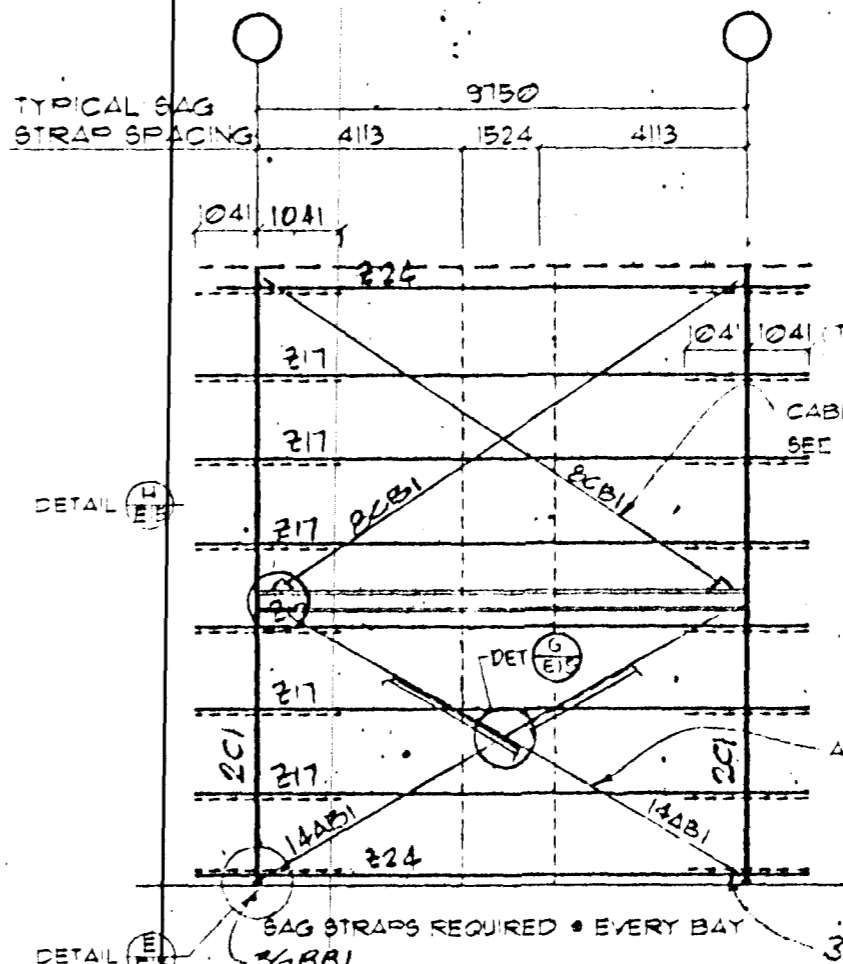
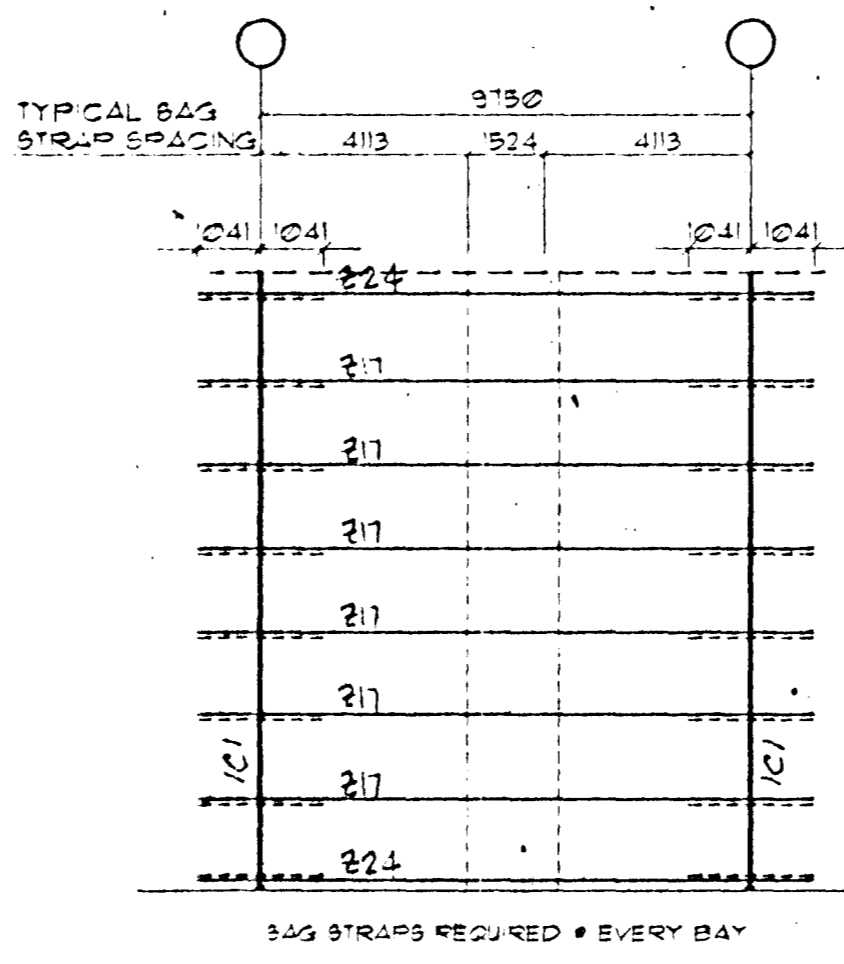
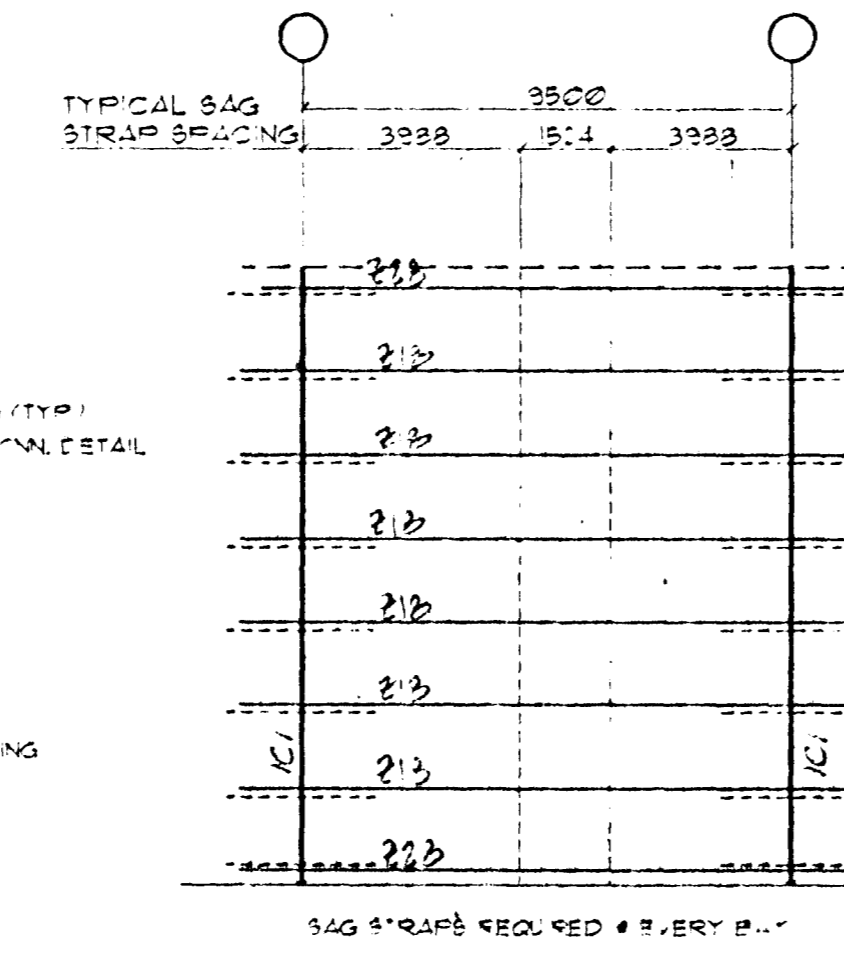
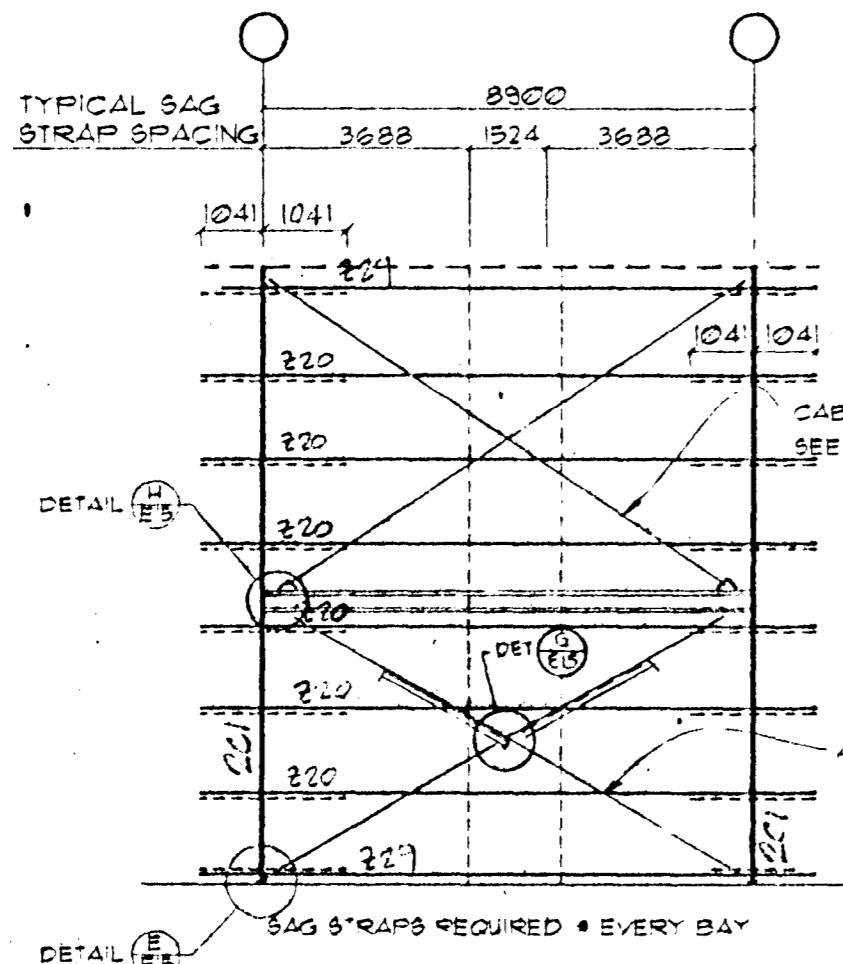
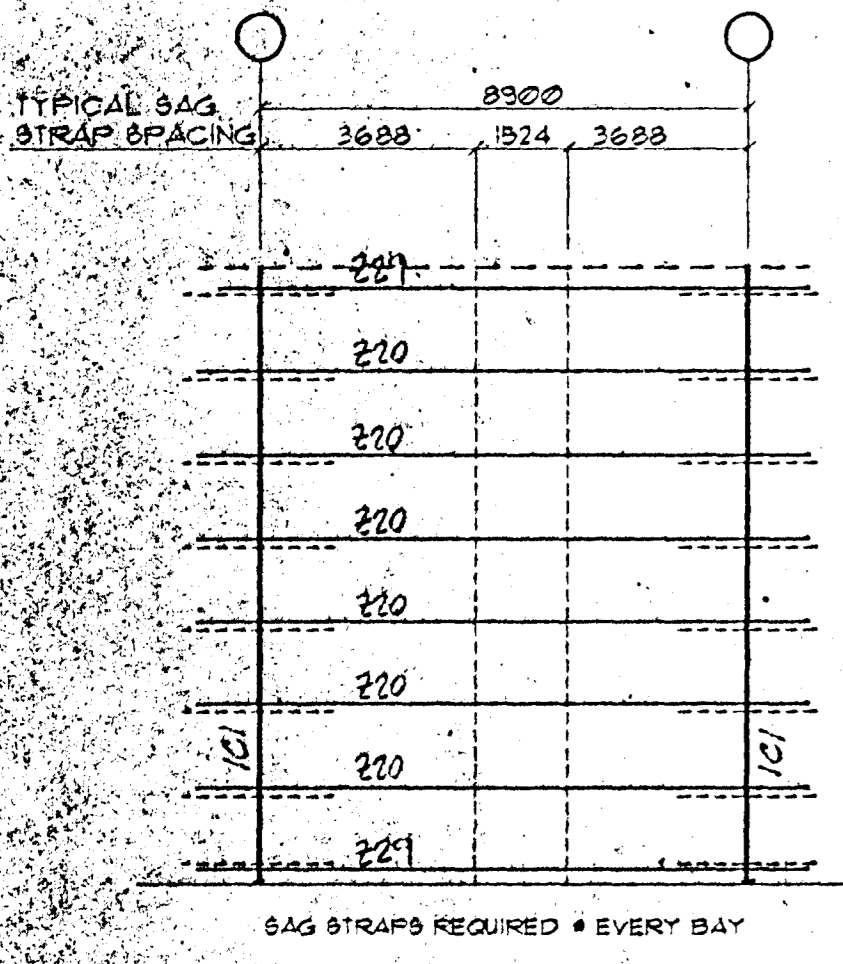


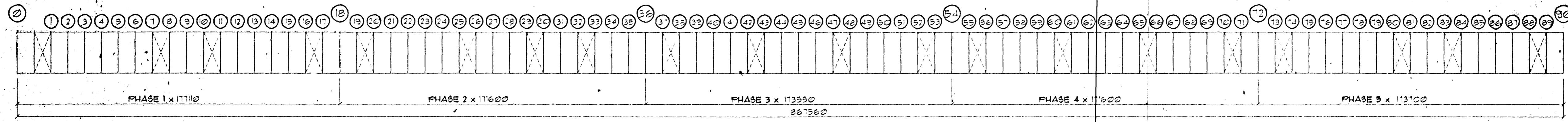
ROOF FRAMING TYPICAL BAYS PHASE I THRU 5



- NOTE:**
- 1) ATTACH STRAPS & ANGLES WITH #14 STS SCREWS x 1 1/2 @ PURLINS OR GRIS.
 - 2) NO CRISS-CROSS STRAPS IN WALLS.
 - 3) ALL STRAPS ARE 32mm (min.) x 26 GA. COIL.
 - 4) SEE ERECTION DRAWINGS FOR SPACING OF STRAPS.

NOTE:
THIS APPLICATION IS TO BE USED ONLY AS SHOWN ON ERECTION DRAWINGS.

SIDEWALL FRAMING TYPICAL BAYS PHASE I THRU 5



ERECTOR NOTE:
ERECT STEEL WITH PIECE MARKS CORRESPONDING TO LOCATION OF PIECE MARKS ON ERECTION DRAWINGS.
ERECT AND PLUMB BAYS PROGRESSIVELY TO INSURE OVERALL WIDTH AND LENGTH IS MAINTAINED.

BOLT DIAMETER LEGEND		ISSUE	REV. DESCRIPTION	DATE	BY	CHK
1/2" = 12.70mm	3/4" = 22.23mm	A	APPROVAL	03-21-06		
3/8" = 15.22mm	1" = 25.40mm	O	CONSTRUCTION	5-14-06		
5/8" = 19.05mm	1 1/4" = 31.75mm					

NOTE: ALL CONNECTION BOLTS ARE A307 1/2" x 25mm LONG UNLESS NOTED.



ISAL DWG. NO. 185.971 5012BA2653	
DESCRIPTION: ERECTION PLAN - TYP. BAY FRAMING	
CUSTOMER: ISTAK HF	
LOCATION: STRAUMSVIK, ICELAND	
BUYER NO.:	
DRAWING BY: JD/RN	DATE: 03-15-06
JOB: 195-47	LOADS: SEE COVER
CHECK BY: [Signature]	DATE: 3/17/06
DRAWING: E11	ISSUE: 0

DATE: 03-12-06
FOR CONSTRUCTION