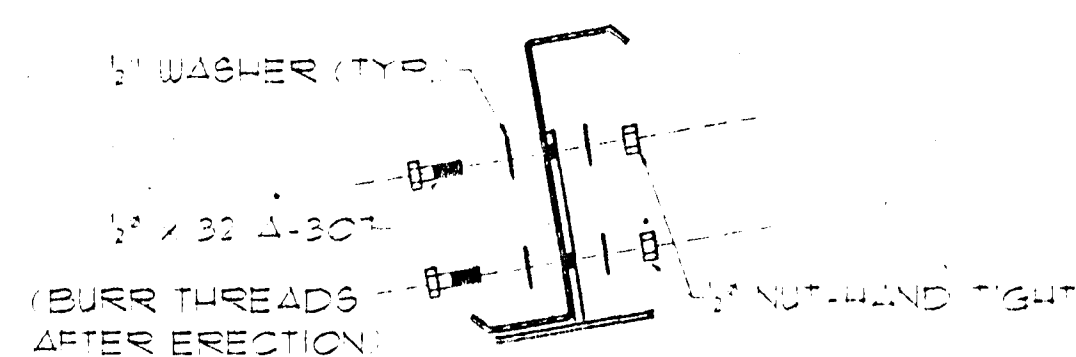
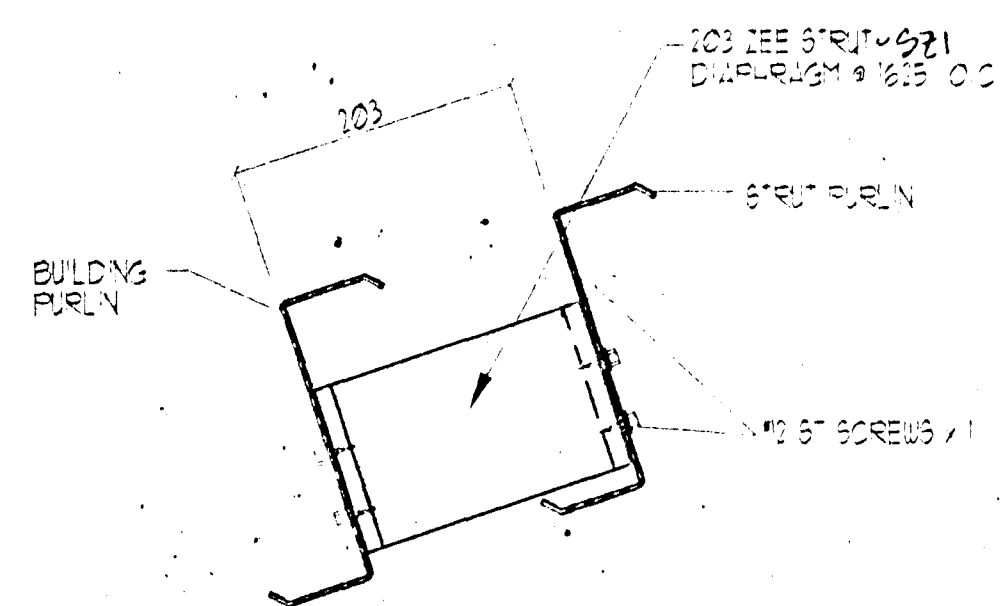


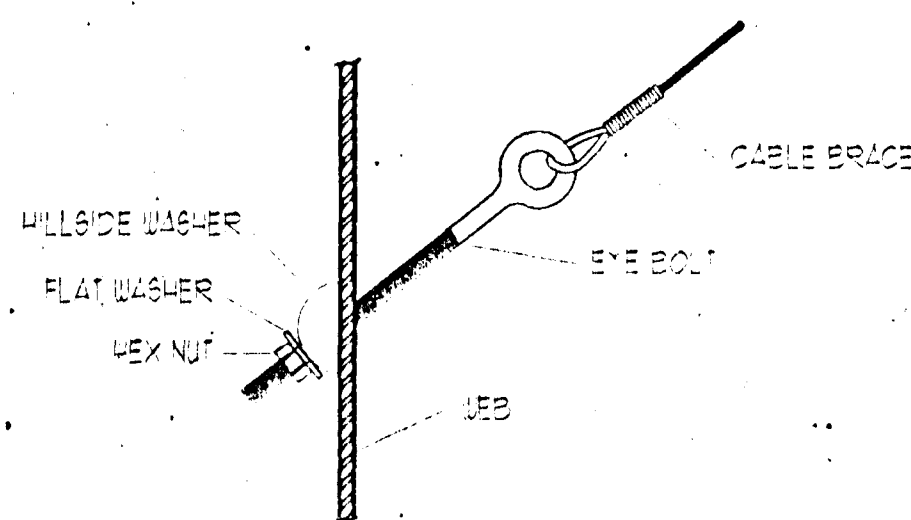
SECTION A
EXPANSION JOINT



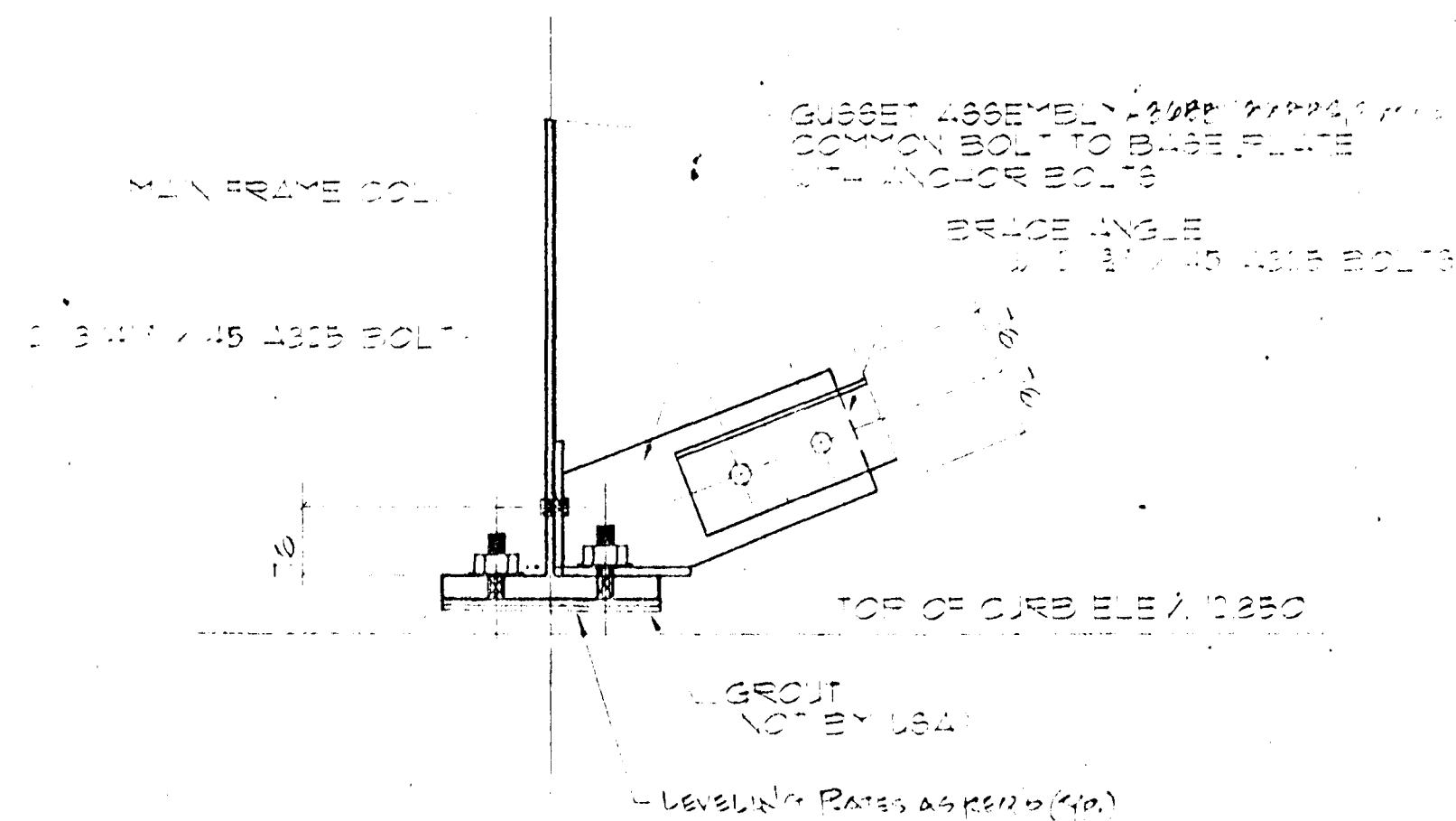
SECTION B



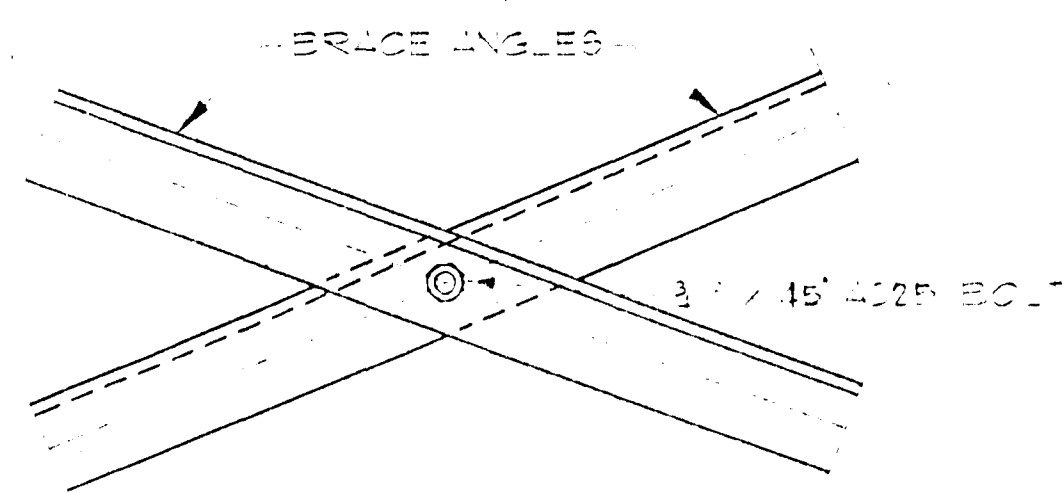
SECTION C



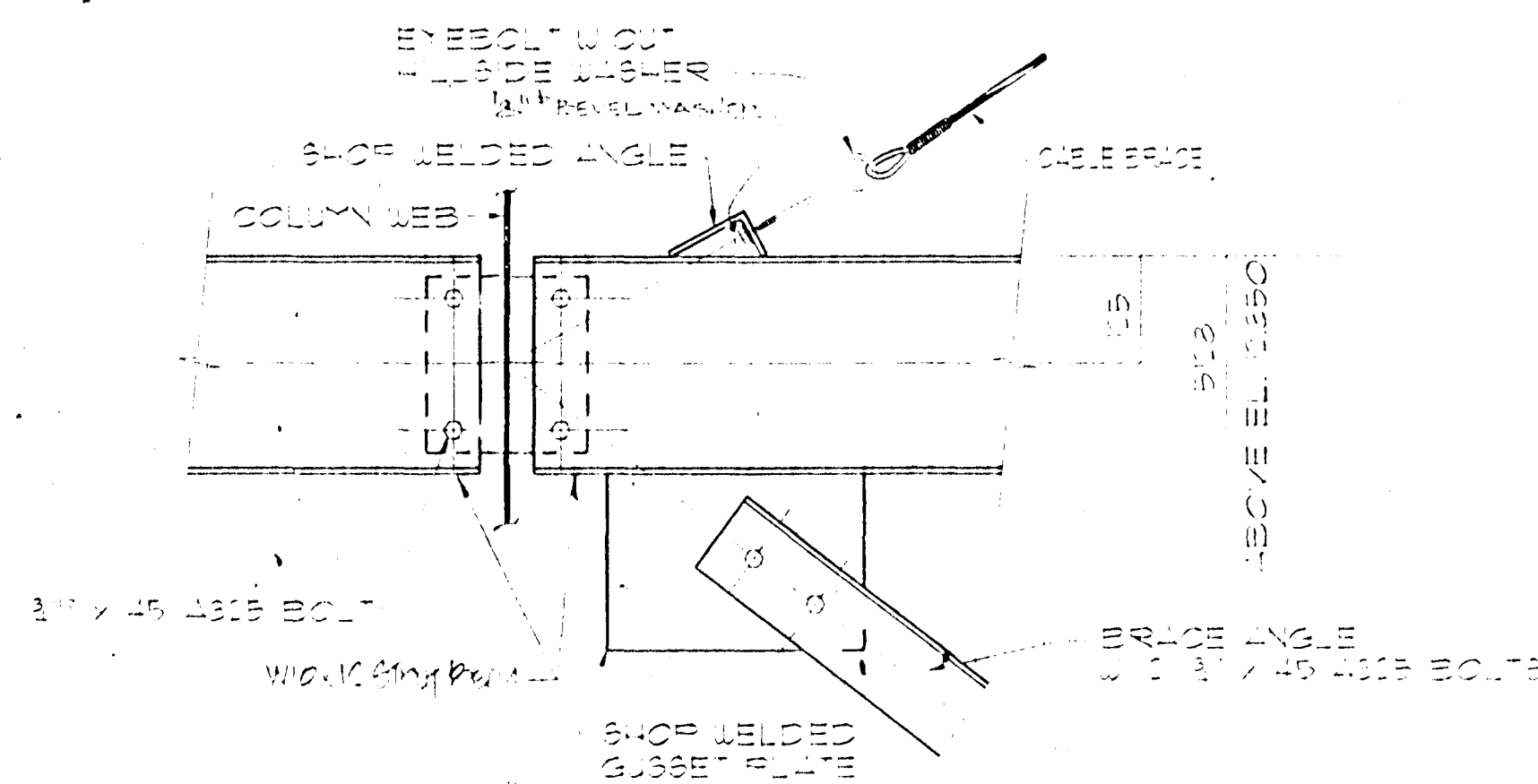
DETAIL D



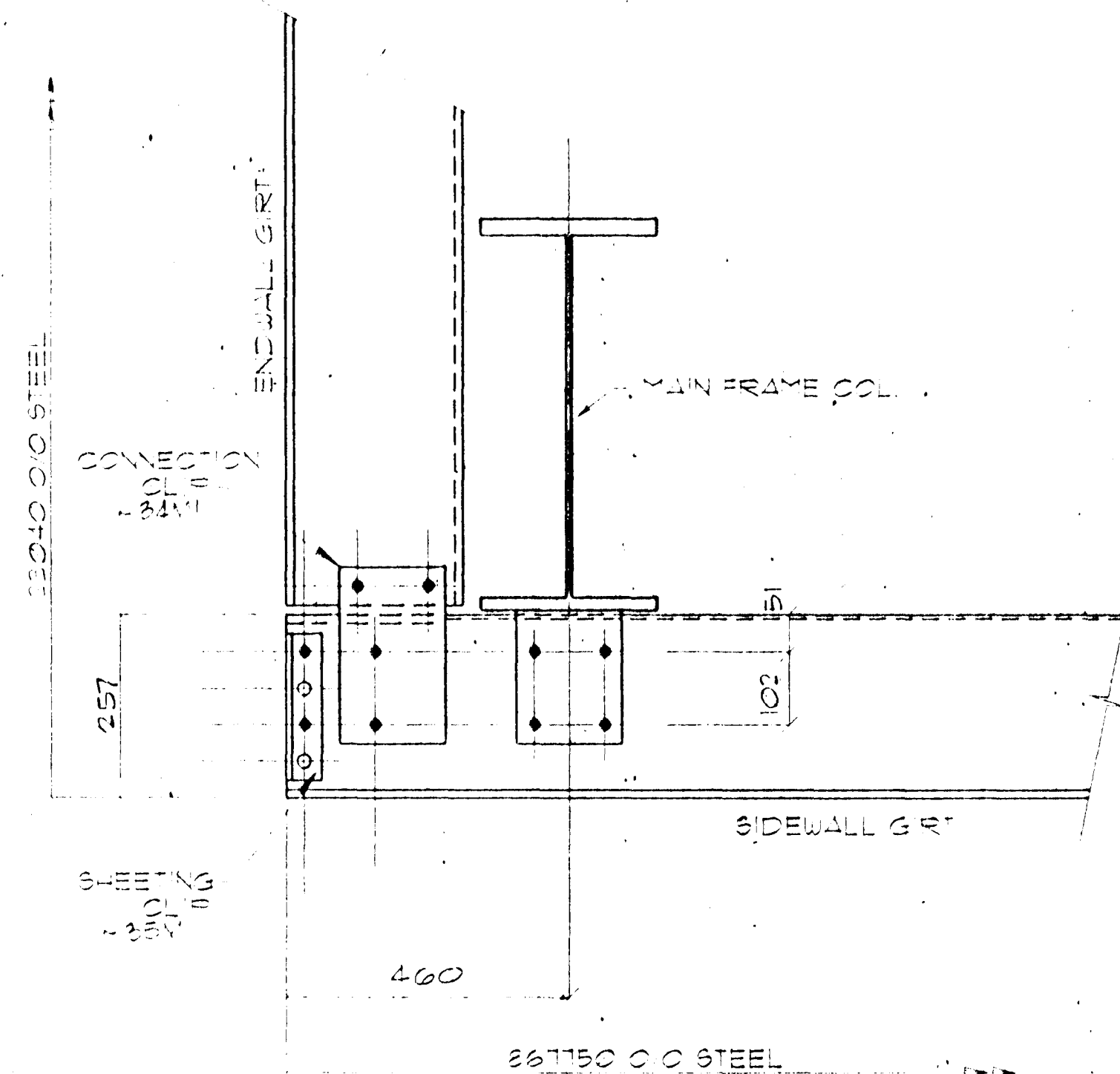
DETAIL E



DETAIL G



DETAIL H



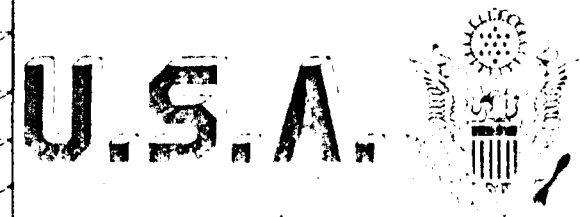
SECTION J

DATE: 4-12-92
DRAWN BY: LP

FOR CONSTRUCTION

ISAL DWG. NO. 185.975 5012BA2653

BOLT DIAMETER LEGEND	ISSUE	REV. DESCRIPTION	DATE	BY
1/2" A307	1	ISSUE FOR		
3/4" A307	2	CONSTRUCTION		



DESCRIPTION: SECTIONS AND DETAILS	DATE: 03-13-92	CHECK BY: [Signature]	DATE: 3/18/92
CUSTOMER: STAK LE	LOADS: SEE COVER	DRAWING: E15	ISSUE: C
LOCATION: STRAUMS/K CELLAND			
BUYER NO:			
DRAWING BY:			