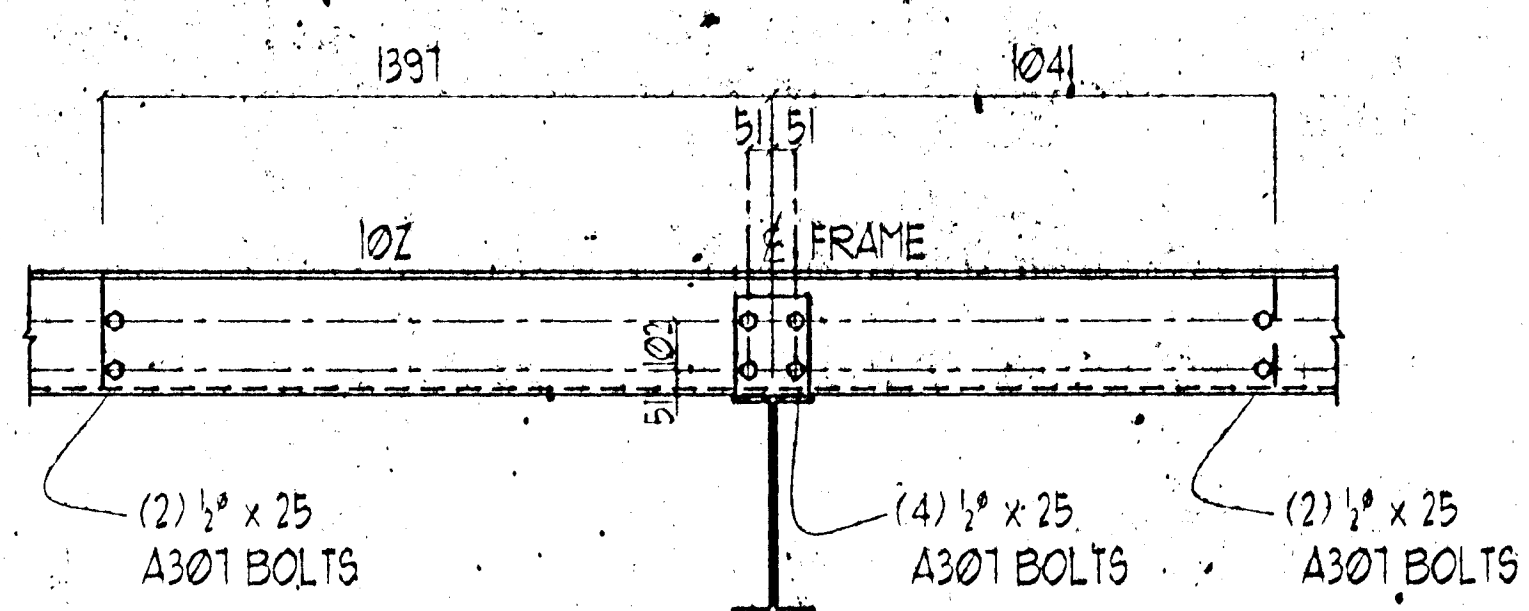
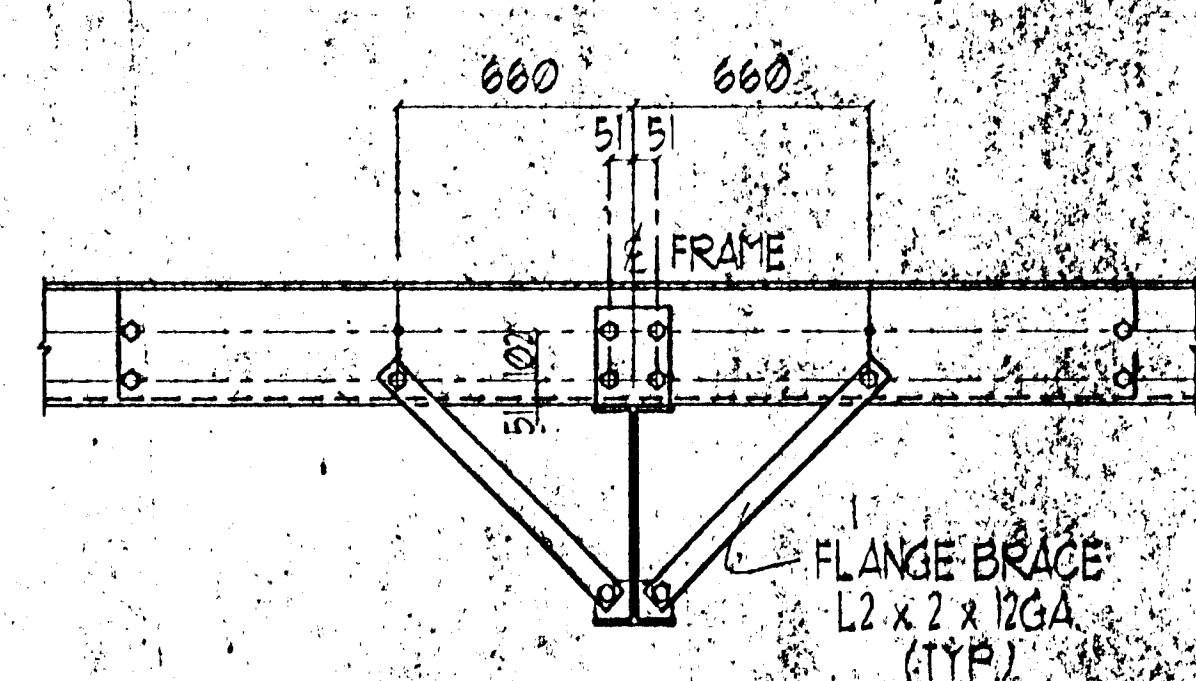


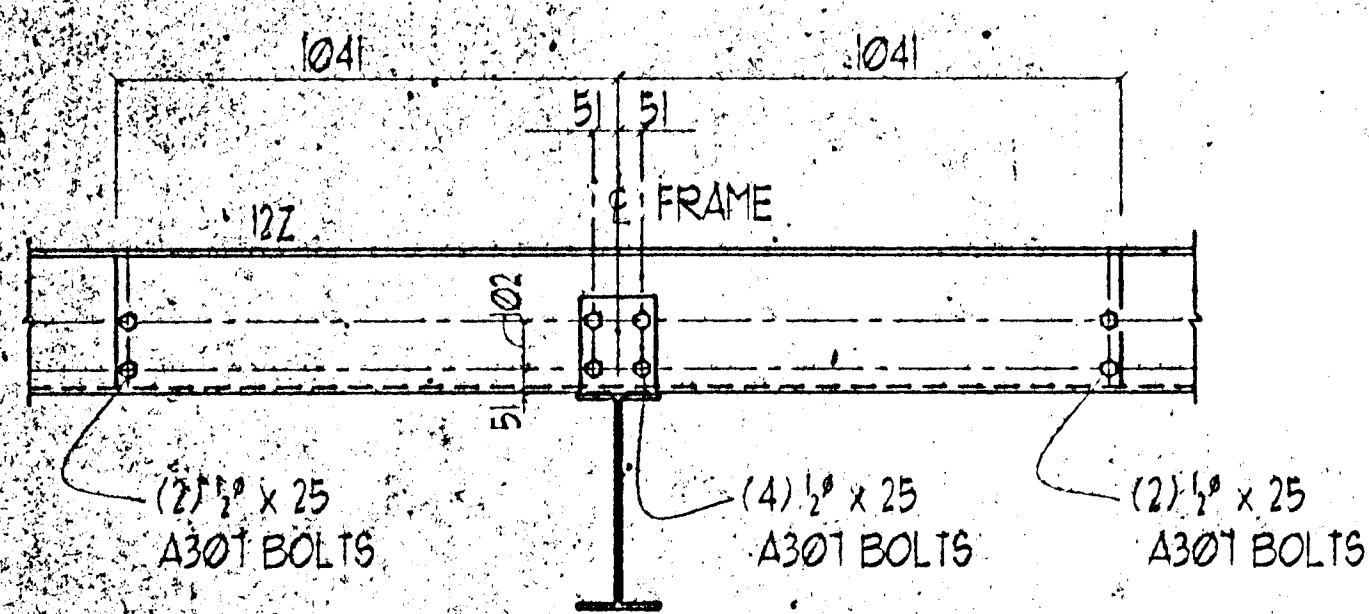
1391/1041 FURLIN LAP



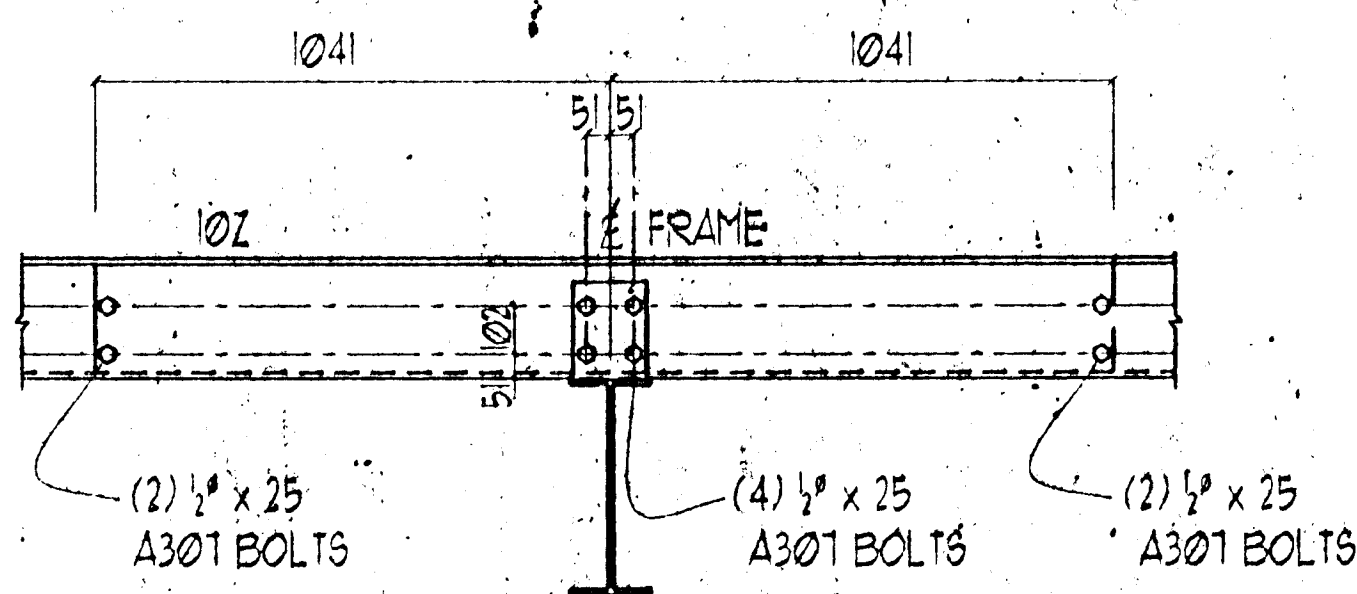
1391/1041 GIRT LAP



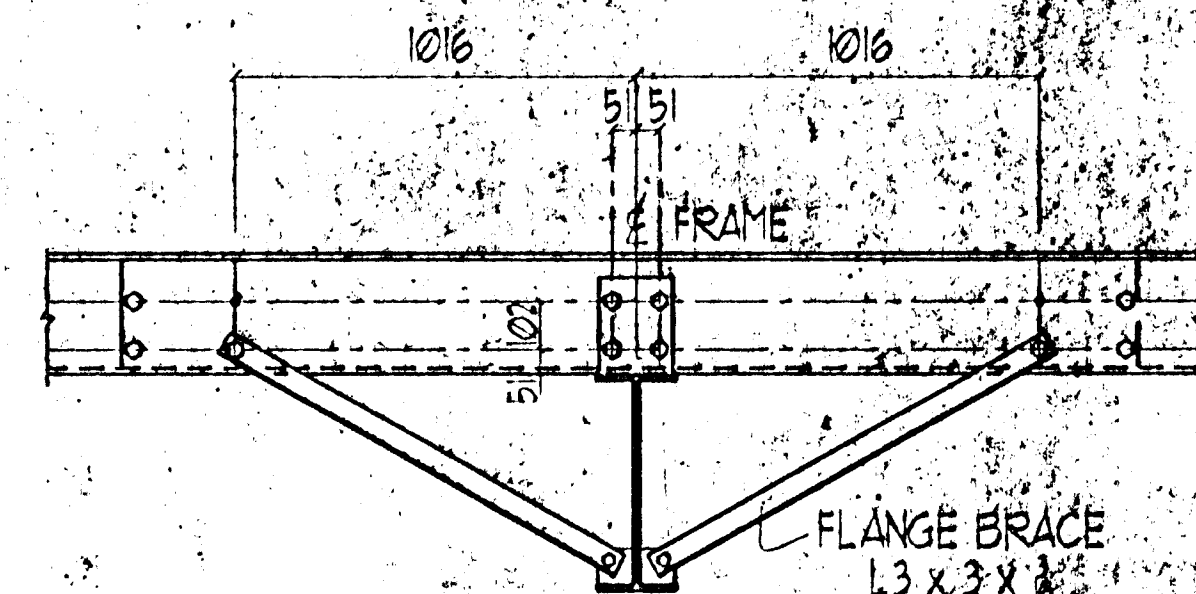
DETAIL # L2 x 2 x FLANGE BRACE



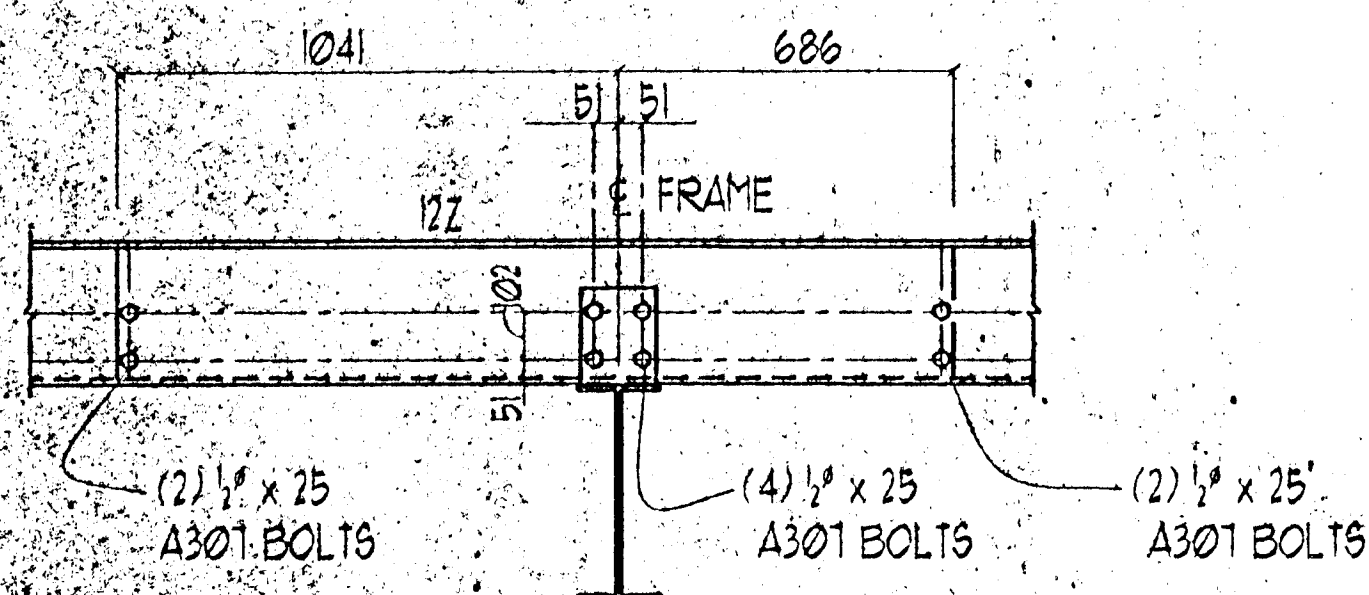
1041/1041 FURLIN LAP



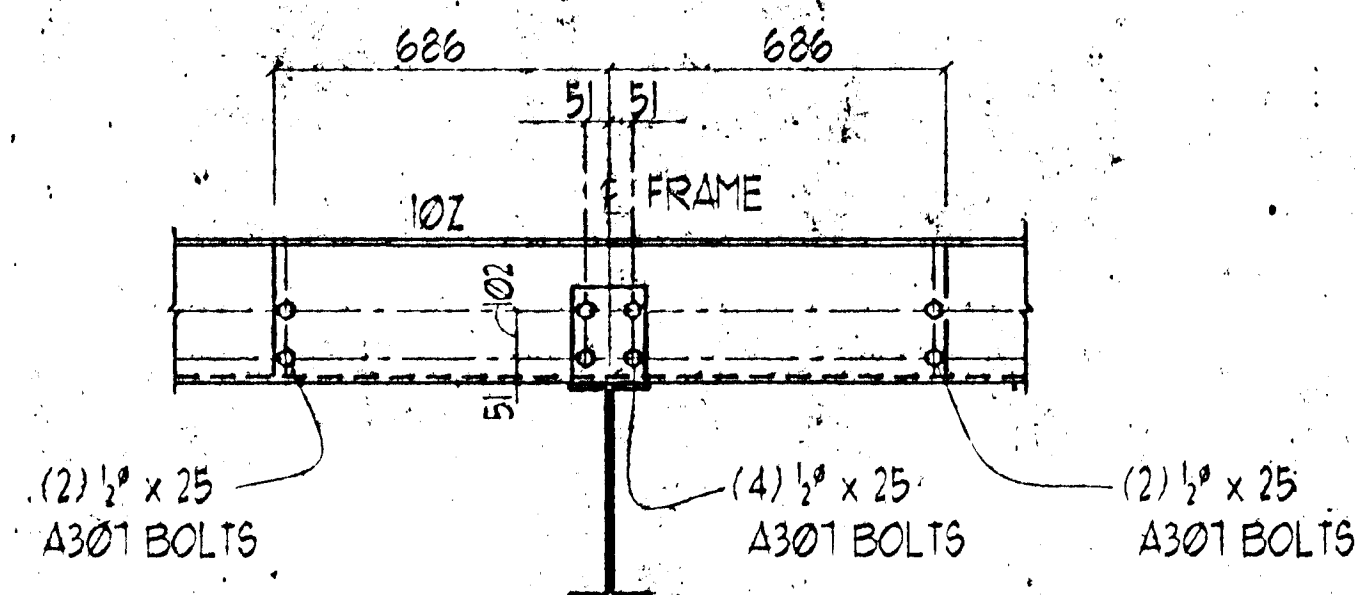
1041/1041 GIRT LAP



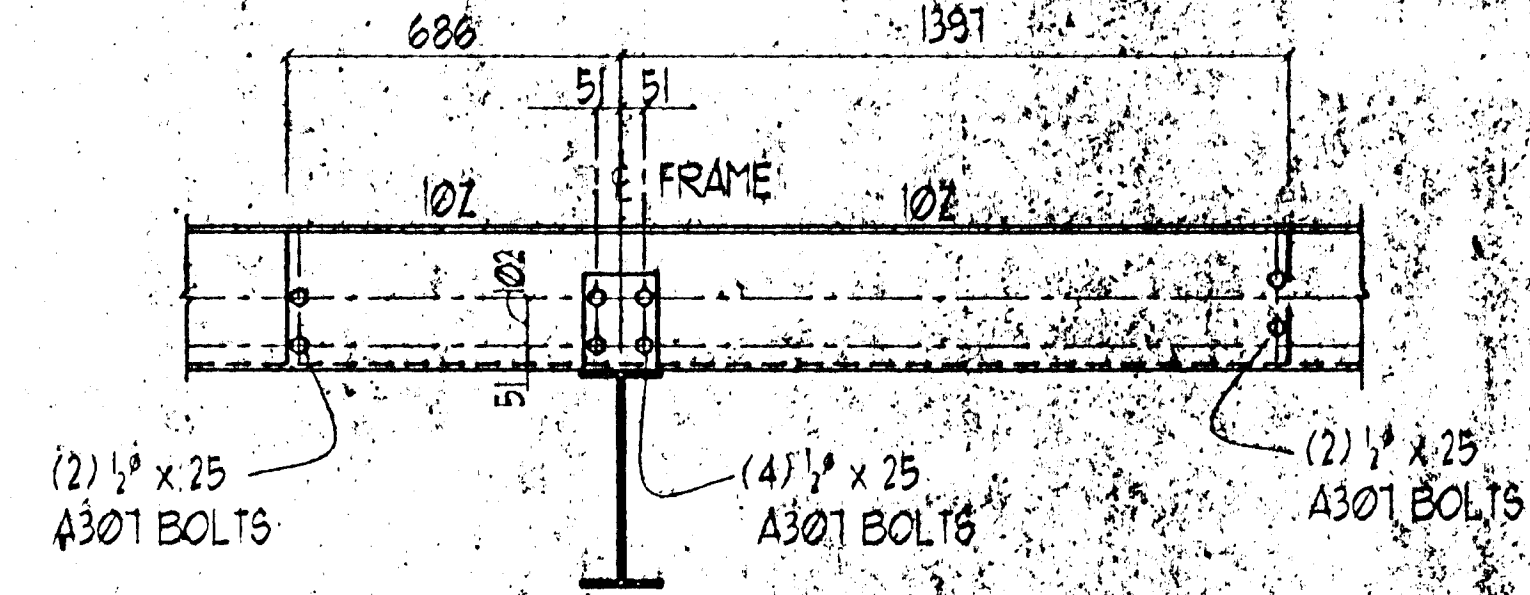
DETAIL # L3 x 3 x FLANGE BRACE



1041/686 FURLIN LAP



686/686 GIRT LAP



686/1391 GIRT LAP

ERECTOR NOTE:
ERECT STEEL WITH PIECE MARKS
CORRESPONDING TO LOCATION
ON PIECE MARKS ON ERECTION
DRAWINGS.

ERECTOR AND PLUMB BAYS
PROGRESSIVELY TO INSURE
COVERED WIDTH AND LENGTH
IS MAINTAINED.

FOR CONSTRUCTION

ISAL DWG. NO. 185.976 5012BA2653

BOLT DIAMETER LEGEND		ISSUE	REV. DESCRIPTION	DATE	BY
1/2" = 12.70mm	3/8" = 22.23mm	A	APPROVAL	01-28-94	
3/4" = 19.05mm	1" = 25.40mm	O	CONSTRUCTION	01-14-94	
1 1/4" = 31.75mm	1 1/2" = 38.10mm				



DESCRIPTION, DETAILS			
CUSTOMER: VESTAR			
LOCATION: STRANSVIK, ICELAND			
BUYER NO:			
DRAWING BY: BSY	DATE: 01-28-94	CHECK BY: [Signature]	DATE: 01-28-94
JOB: 185.976	LOADS: [unclear]	DRAWING: [unclear]	ISSUE: [unclear]