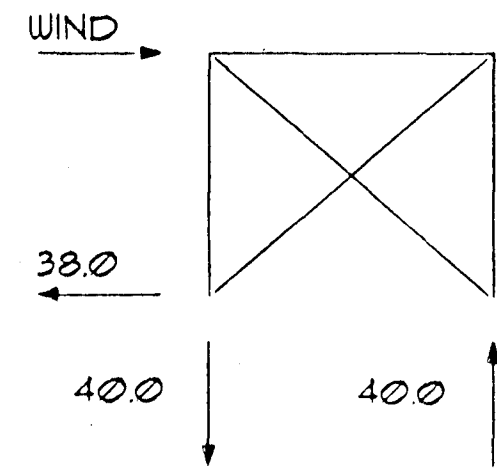
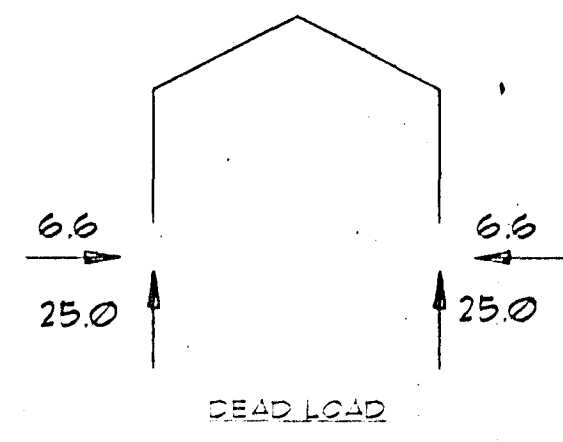


MAIN FRAME REACTIONS

NOTE:
ALL REACTIONS ARE IN KILO-NEWTONS.



BRACED BAY REACTIONS

NOTE:
ALL REACTIONS ARE IN KILO-NEWTONS.

REFER TO KEY PLANS FOR
BRACED BAY REACTIONS

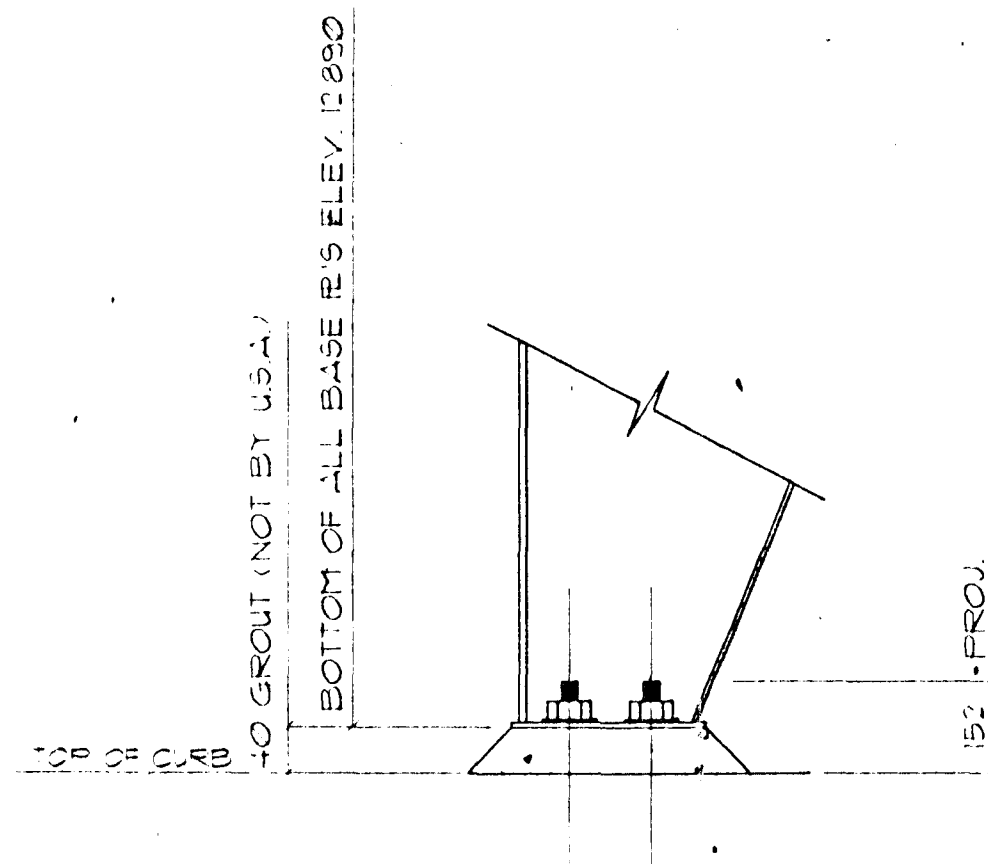
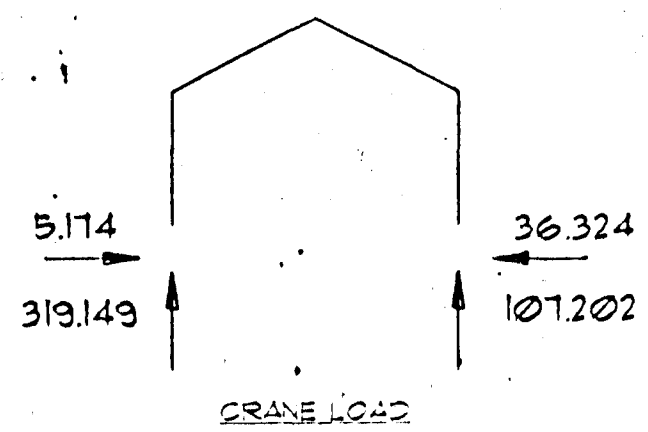
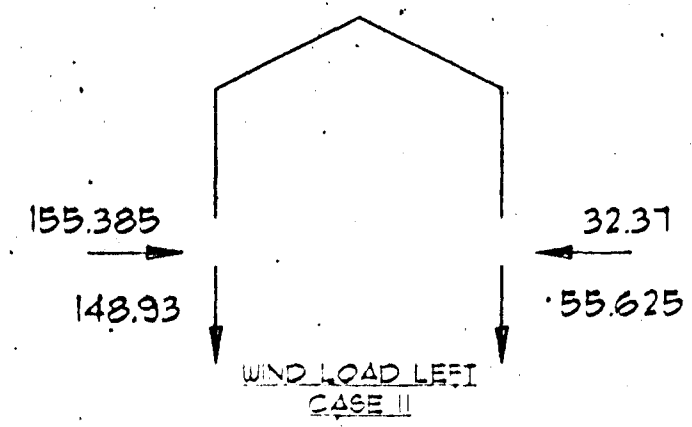
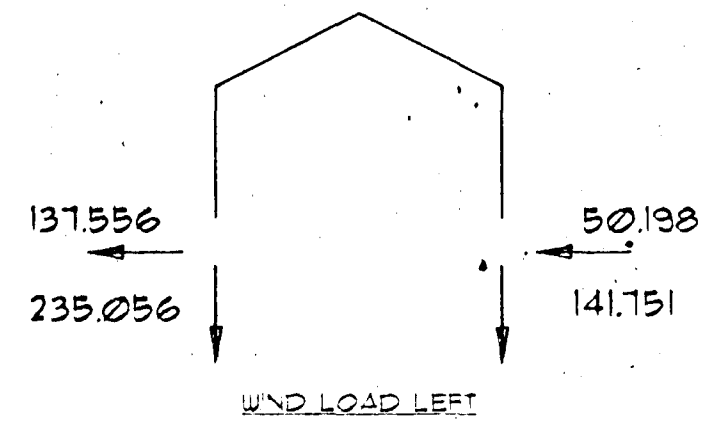
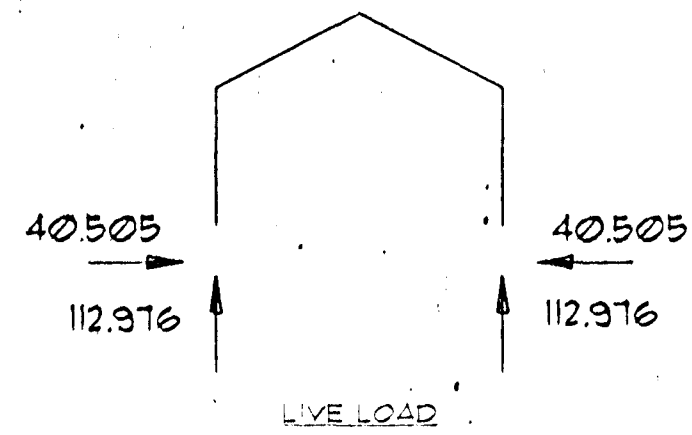
$$DL + LL \quad \uparrow \quad V = 00$$

$$DL + WL \quad \nearrow \quad V = 00$$

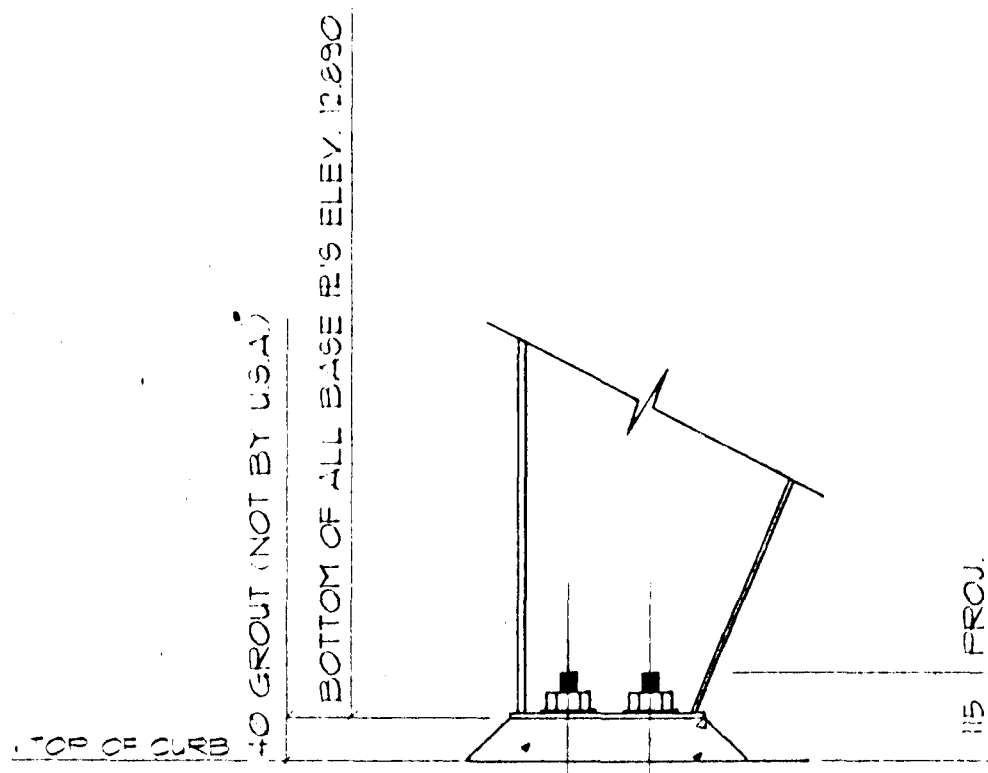
$$H = 112.0$$

MAX. E.W. COLUMN REACTION AT BEARING FRAME

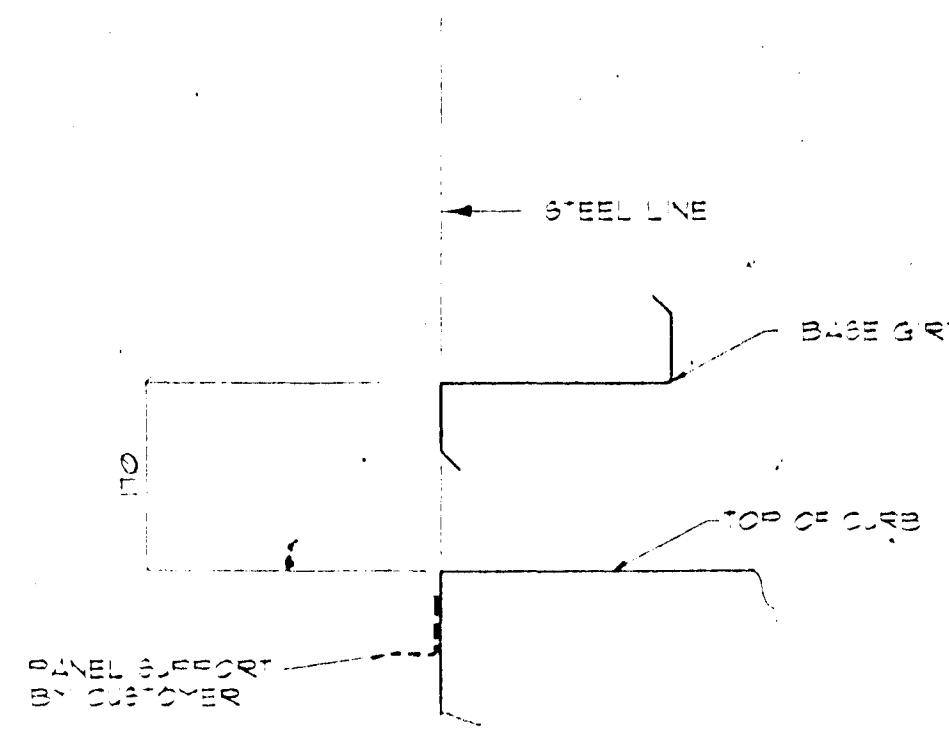
NOTE:
ALL REACTIONS ARE IN KILO-NEWTONS.



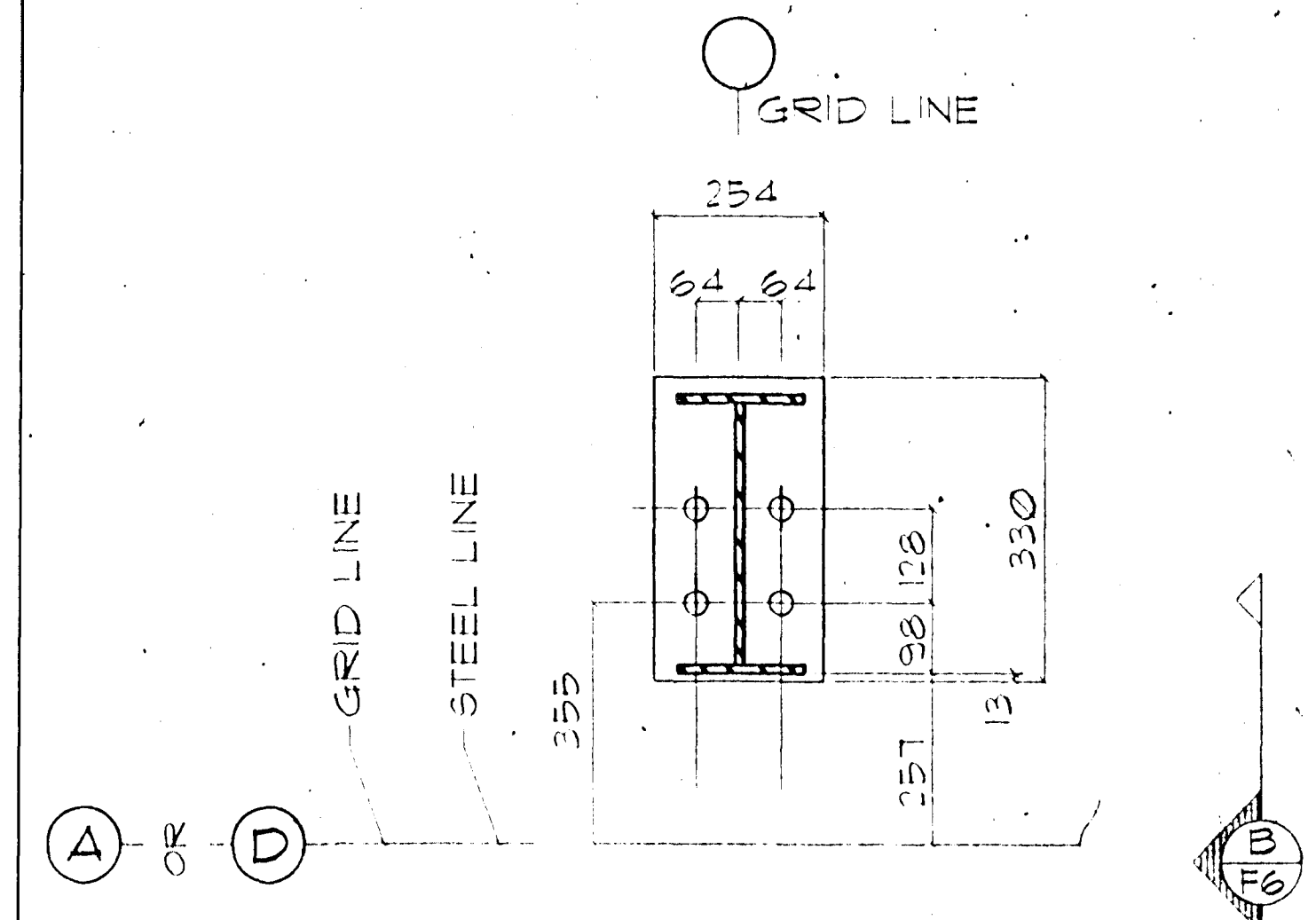
SECTION **B**
F6



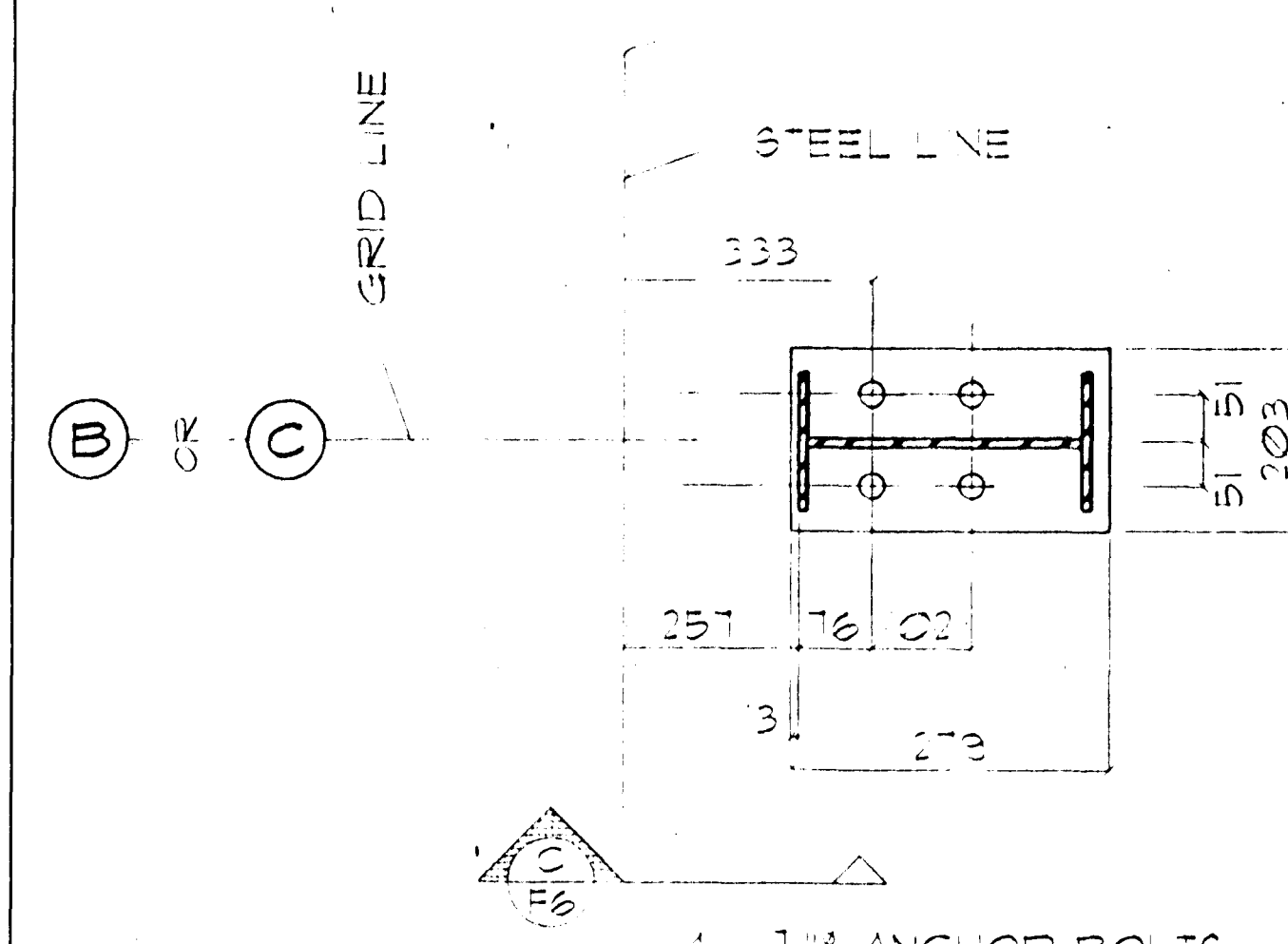
SECTION **C**
F6



SECTION **A**
F6



4 - 1/2" ANCHOR BOLTS
BASE TYPE "A"
40 GROUT



4 - 1/2" ANCHOR BOLTS
BASE TYPE "B"
40 GROUT

DATE: 4-12-97
DRAWN BY: [Signature]
CHECKED BY: [Signature]

FOR CONSTRUCTION

ISAL DWG. NO. 185.999 5012BA2651

ISSUE	REV. DESCRIPTION	DATE	BY	CHK
A	APPROVAL	5-11-97		
C	CONSTRUCTION	5-11-97		

DESCRIPTION: REACTIONS SECTIONS & DETAILS		CUSTOMER: ISTAK HF	
LOCATION: STRAUMSVIK ICELAND		BUYER NO.:	
DRAWING BY: RRY	DATE: 03-18-96	CHECK BY: [Signature]	DATE: 04-14-96
JOB: 18541	LOADS: SEE COVER	DRAWING: F6	ISSUE: 0

