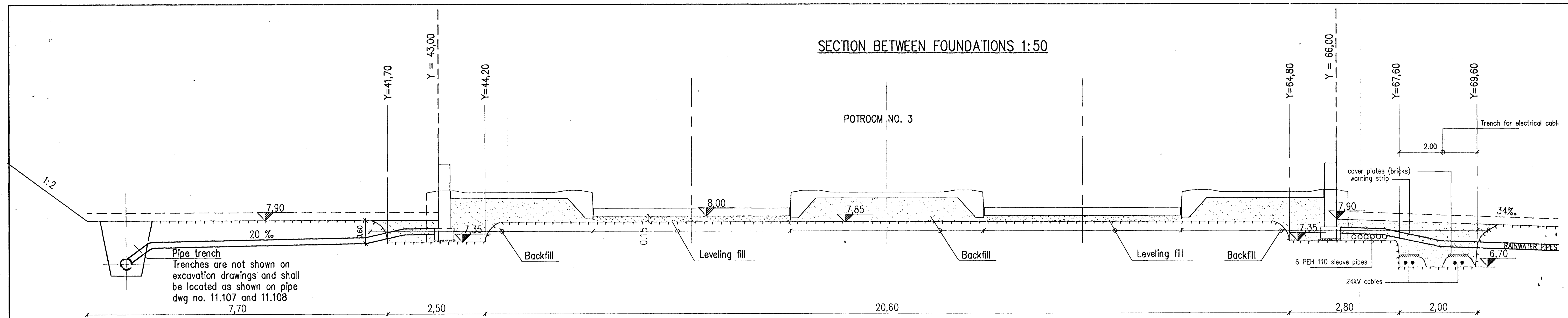
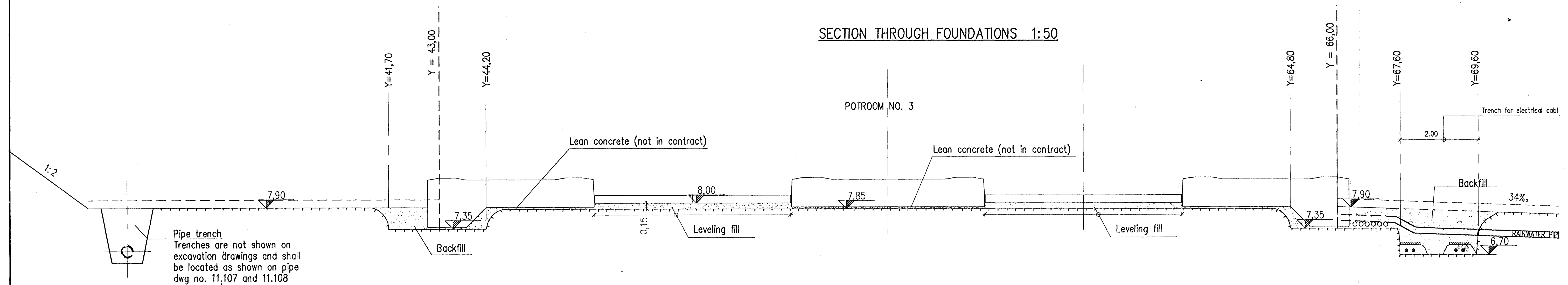


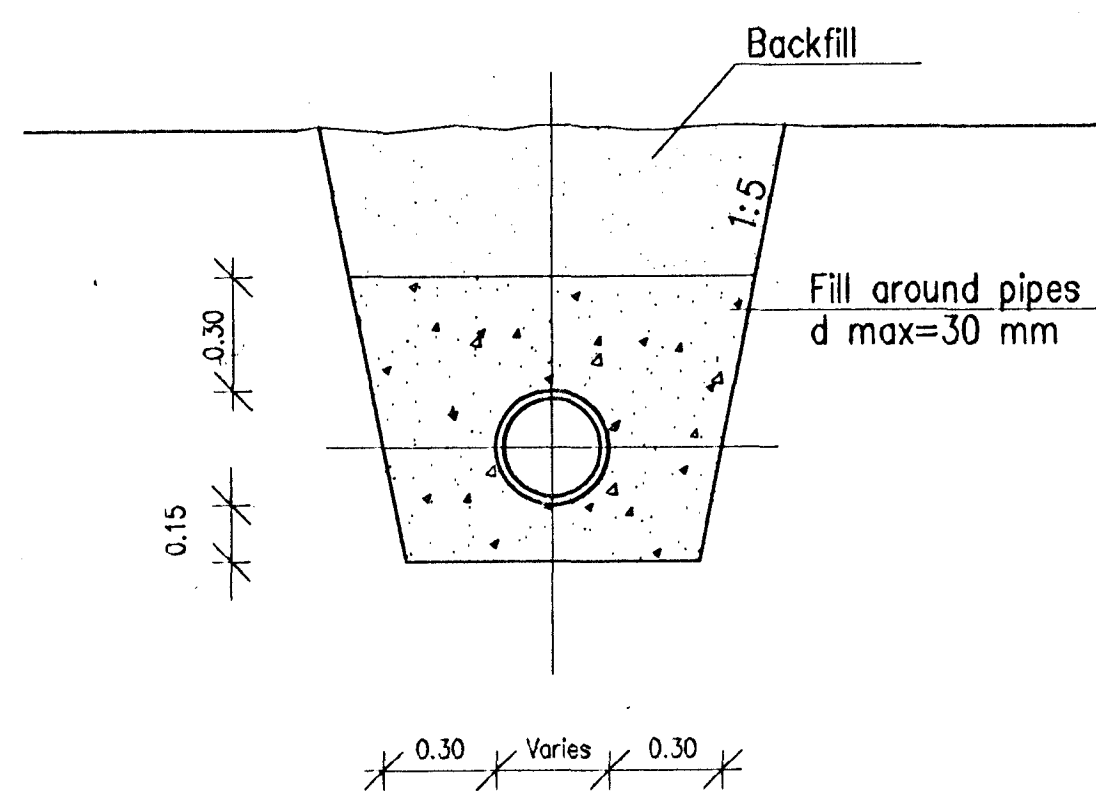
SECTION BETWEEN FOUNDATIONS 1:50



SECTION THROUGH FOUNDATIONS 1:50

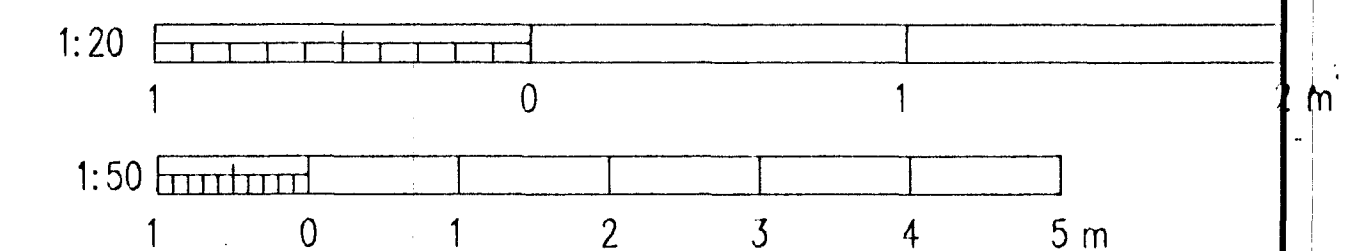


PIPE TRENCH SECTION, 1:20



LEGEND

Elevations are in metres in Hafnarfjordur height system.  
Coordinates x,y are in metres in a local coordinate system.  
Excavation lines shown on drawings 11.103,4 and 5  
are vertical projections of bottom lines of excavation.  
Levelling fill and backfill shown on dwg is not in Contract



HAFNARFJÖRÐUR  
BYGGINGAUFVILTRÖÐIR  
AFGREITT  
20/196  
B.S.

651

<b>VST</b> VST CONSULTING ENGINEERS Ltd. Armula 4 108 Reykjavik Iceland Tel: +354 569 5000 Fax: +354 569 5010		95.120 - 11.106
<b>ICELANDIC ALUMINIUM COMPANY LTD.</b>	DRAWN 20.OCT.95 QSS APPROVED 20.OCT.95 QSS PROCESS 20.OCT.95 NI PROJECT 20.OCT.95 NI SCALE 1:50 DRAWN AT A1	POTROOM NO. 3 EARTHWORK SECTIONS
<b>ALUSUISSE ENGINEERING LTD. ZÜRICH SWITZERLAND</b>	ALESA	79000-32006
<b>ICELANDIC ALUMINIUM CO. LTD</b>		186.506

REV. NO.	DATE	REVISION	BY	APP.	REV. NO.	DATE	REVISION	BY	APP.	NOTES	REFERENCE DRAWING	DRAWING NUMBER
1	23.11.1995	Approved for construction	Öss	A. I.								

This drawing is our property and given for personal use only. It may not be copied or made available to others without our permission. The receiver is responsible for any misuse.