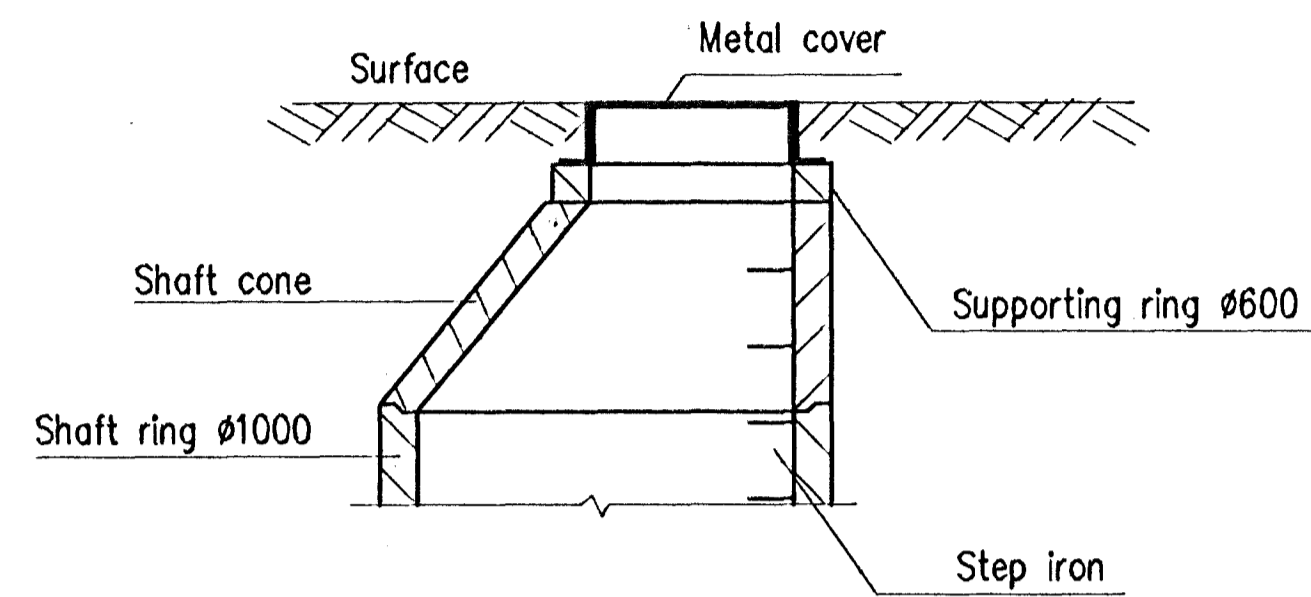
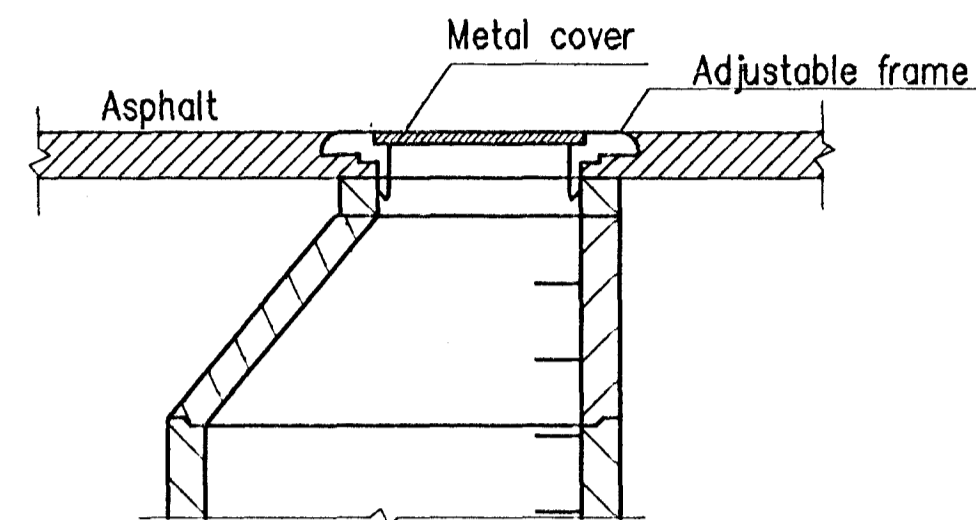


INSPECTION SHAFT Ø1000

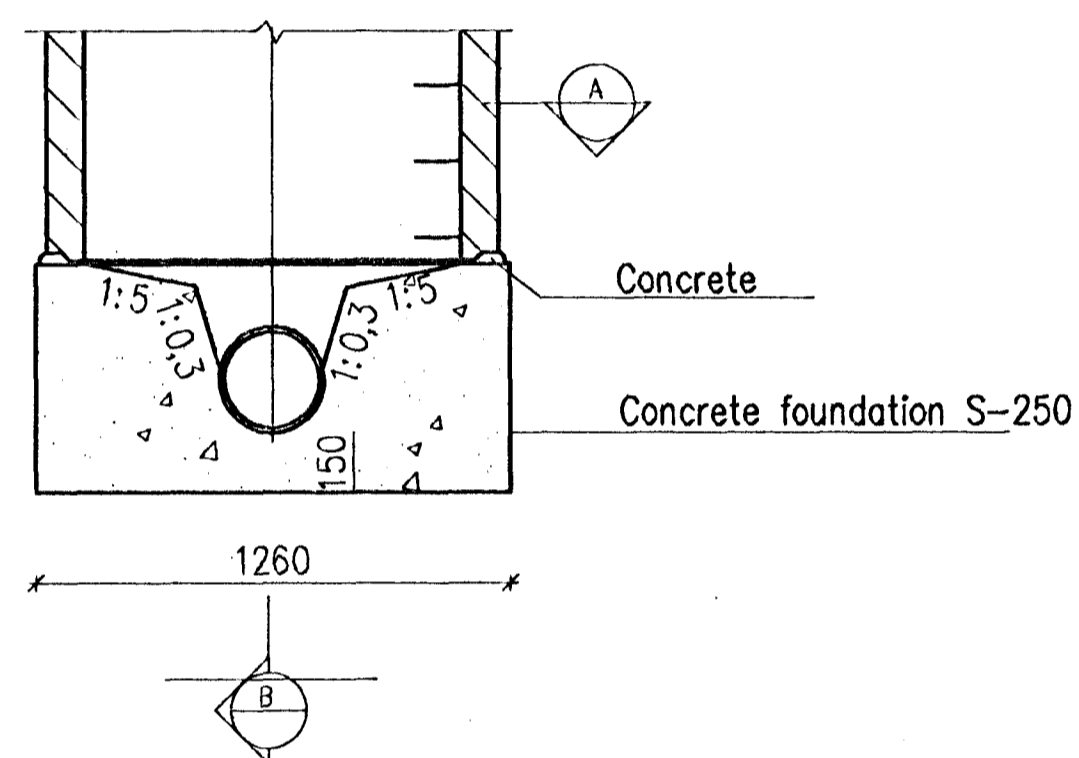
SHAFT TOP WITH FIXED COVER



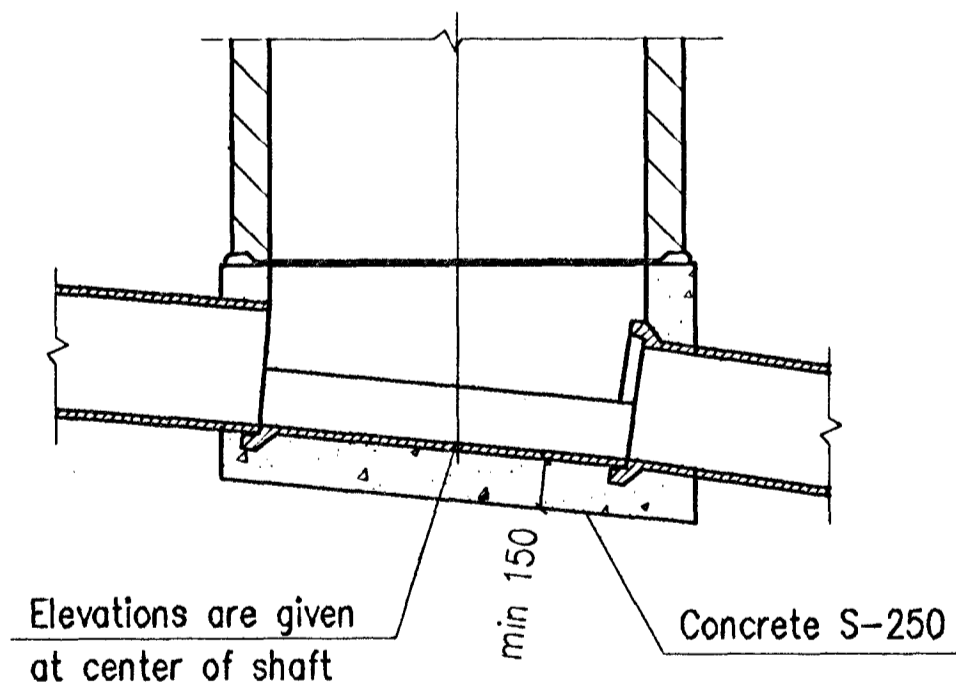
SHAFT TOP WITH ADJUSTABLE FRAME



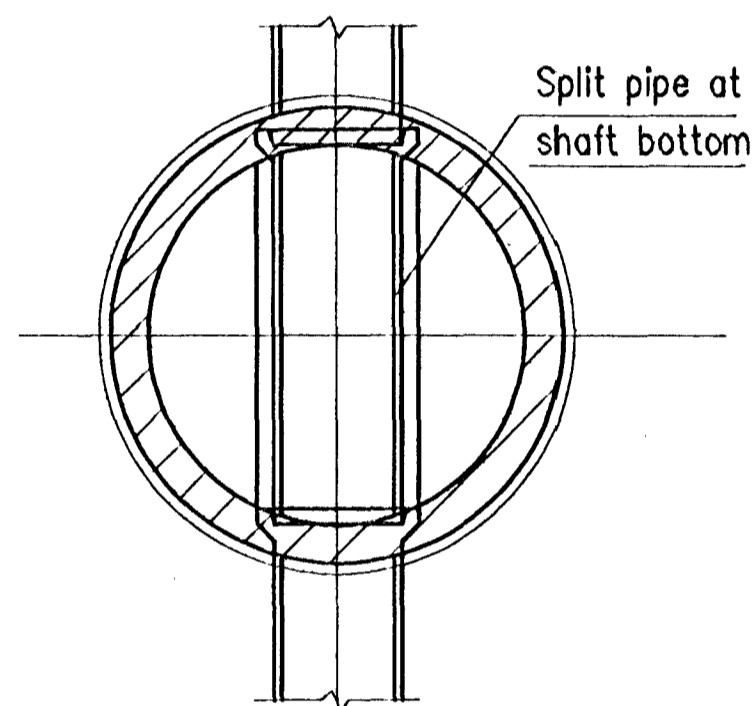
SHAFT BOTTOM



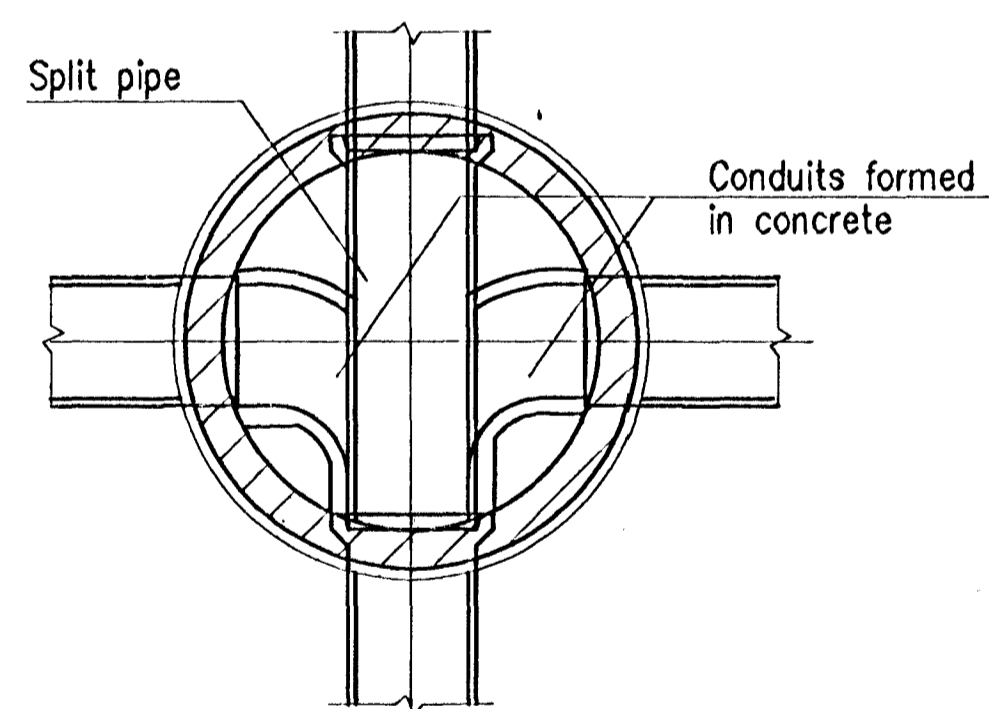
SECTION B-B



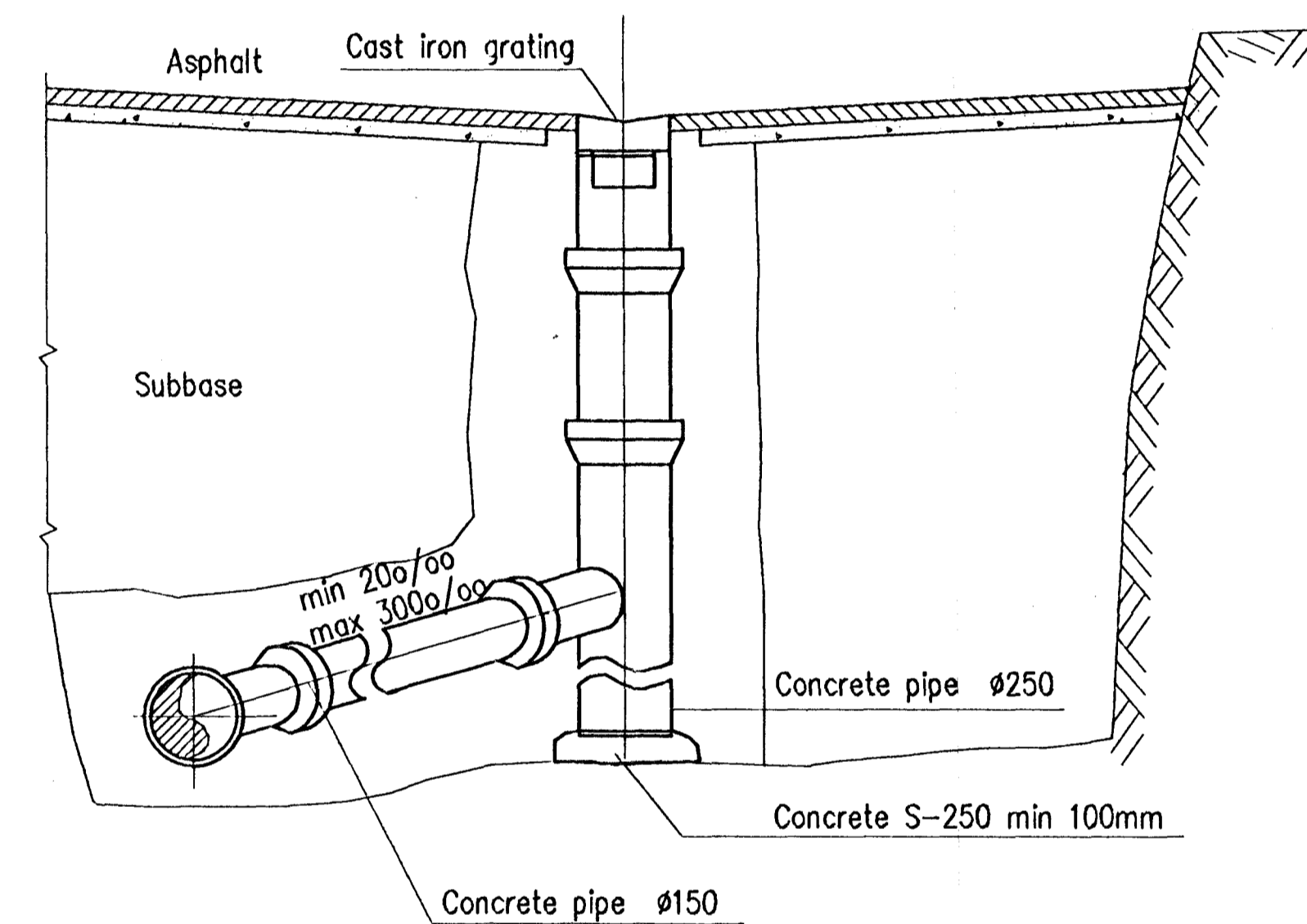
SECTION A-A



SECTION A-A

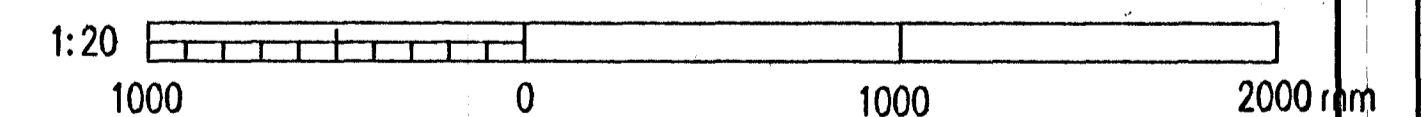


ROAD DRAINS



LEGEND

Dimensions are in millimetres.



20/96
AFGREITT

20/96
AFGREITT

VST VST CONSULTING ENGINEERS Ltd. Armula 4 108 Reykjavik Iceland Tel: +354 569 5000 Fax: +354 569 5010		95.120 - 11.109															
ICELANDIC ALUMINIUM COMPANY LTD.	<table border="1"> <tr> <td>DRAWN</td> <td>20.OCT.95</td> <td>GSS</td> </tr> <tr> <td>APPROVED</td> <td>20.OCT.95</td> <td>GSS</td> </tr> <tr> <td>PROCESS</td> <td>20.OCT.95</td> <td>NI</td> </tr> <tr> <td>PROJECT</td> <td>20.OCT.95</td> <td>NI</td> </tr> <tr> <td>SCALE</td> <td>1:20</td> <td>FORSETT</td> </tr> </table>	DRAWN	20.OCT.95	GSS	APPROVED	20.OCT.95	GSS	PROCESS	20.OCT.95	NI	PROJECT	20.OCT.95	NI	SCALE	1:20	FORSETT	POTROOM NO. 3 EARTHWORK RAINWATER PIPES GENERAL DETAILS
DRAWN	20.OCT.95	GSS															
APPROVED	20.OCT.95	GSS															
PROCESS	20.OCT.95	NI															
PROJECT	20.OCT.95	NI															
SCALE	1:20	FORSETT															
ALUSUISSE ALESA	ALUSUISSE ENGINEERING LTD. ZURICH SWITZERLAND	79000-32009															
ISAL	ICELANDIC ALUMINIUM CO. LTD	186.509															

REV. NO.	DATE	REVISION	BY	APP.	REV. NO.	DATE	REVISION	BY	APP.	NOTES	REFERENCE DRAWING	DRAWING NUMBER
1	23.11.1995	Approved for construction	Öss	N.I.								

This drawing is our property and given for personal use only. It may not be copied or made available to others without our permission. The receiver is responsible for any misuse.