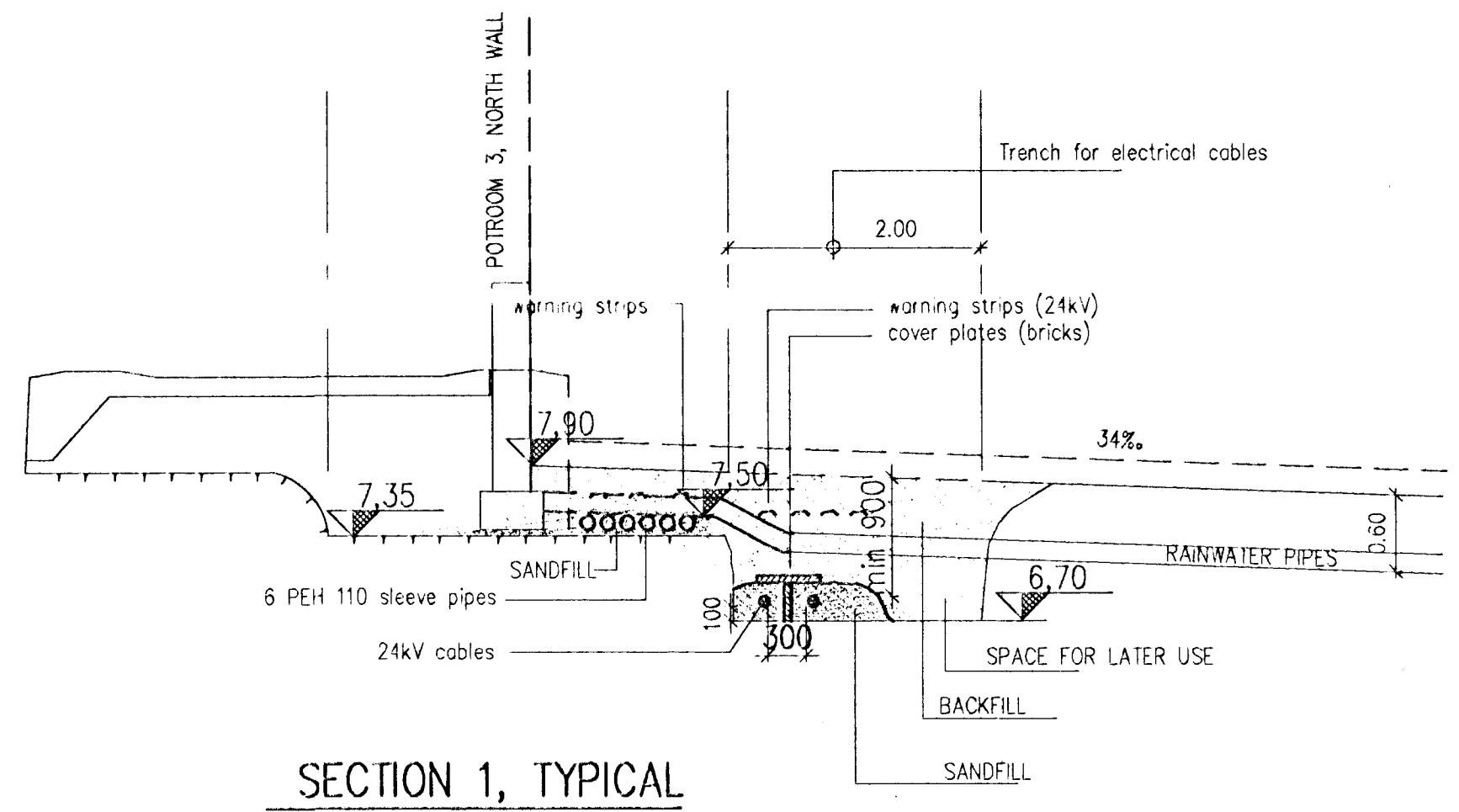
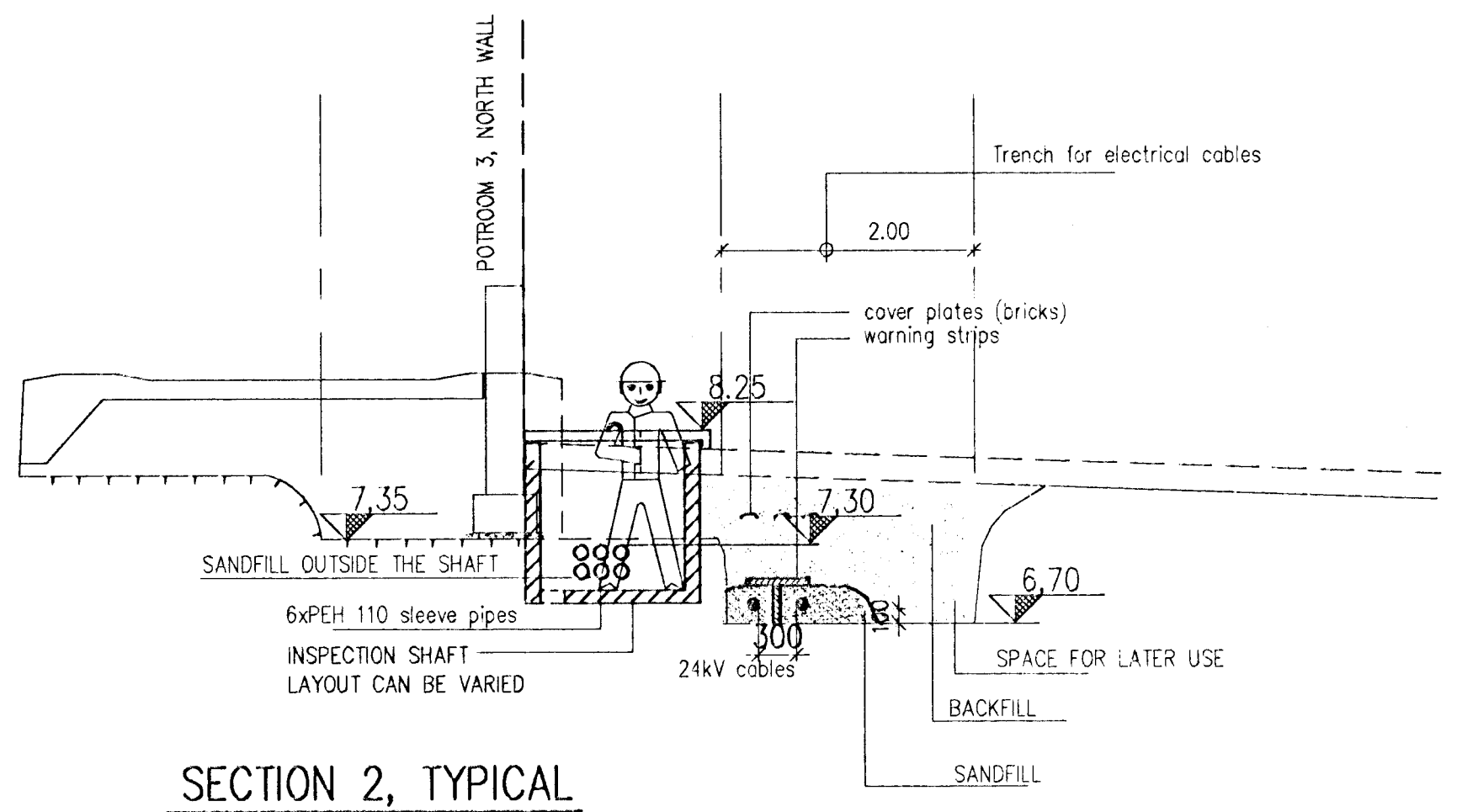
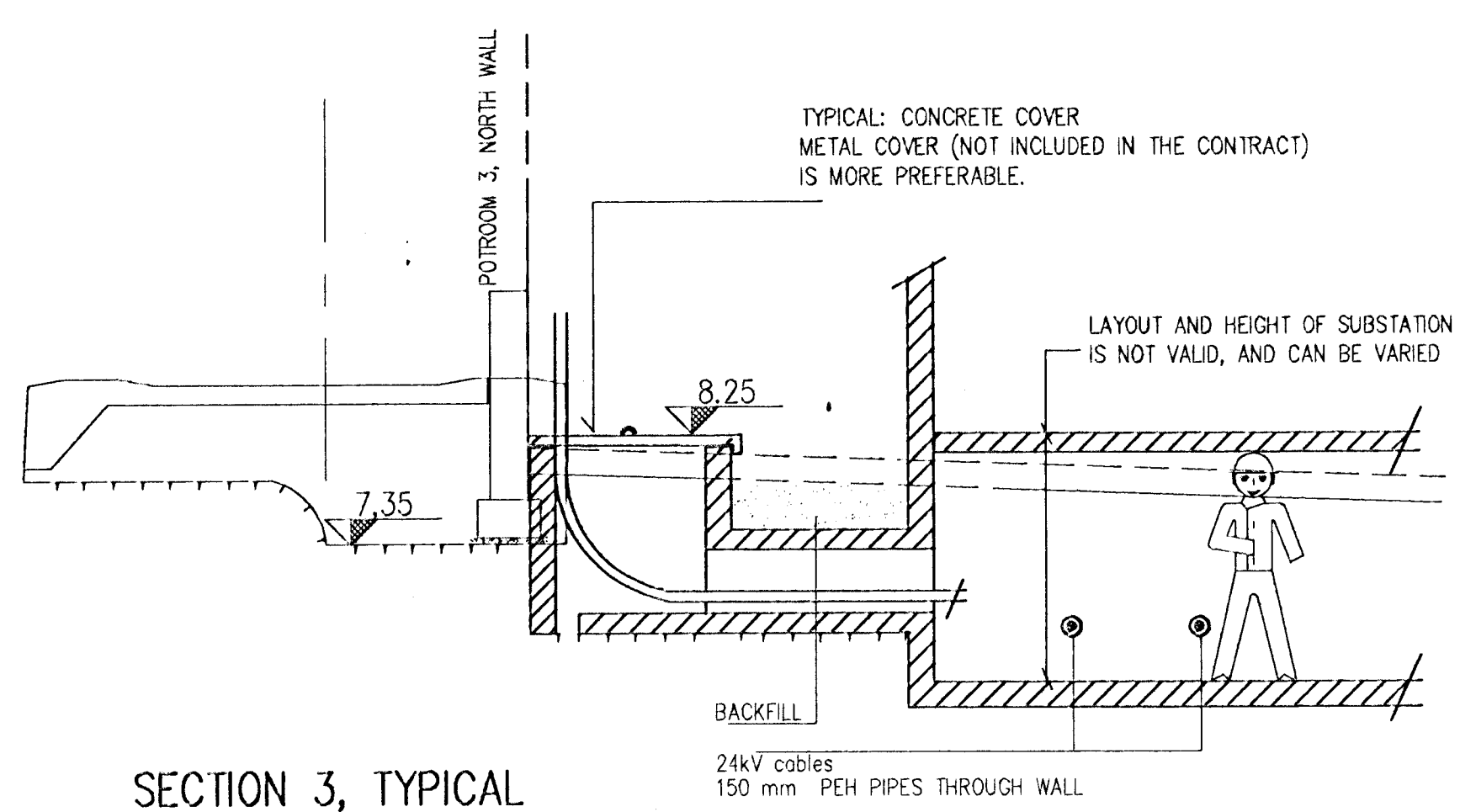


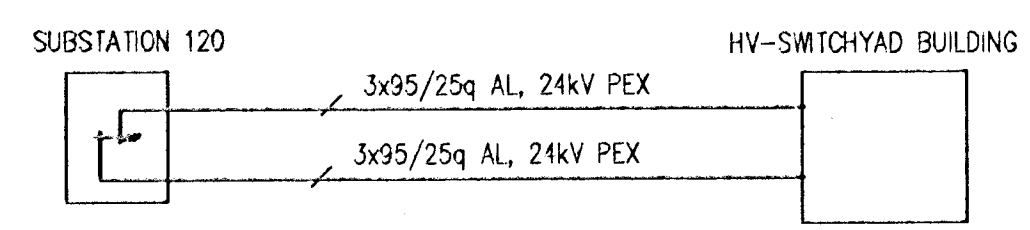
SECTION 3 SECTION 2 SECTION 1  
TYPICAL PLAN, SUBSTATION AND INSPECTION SHAFT



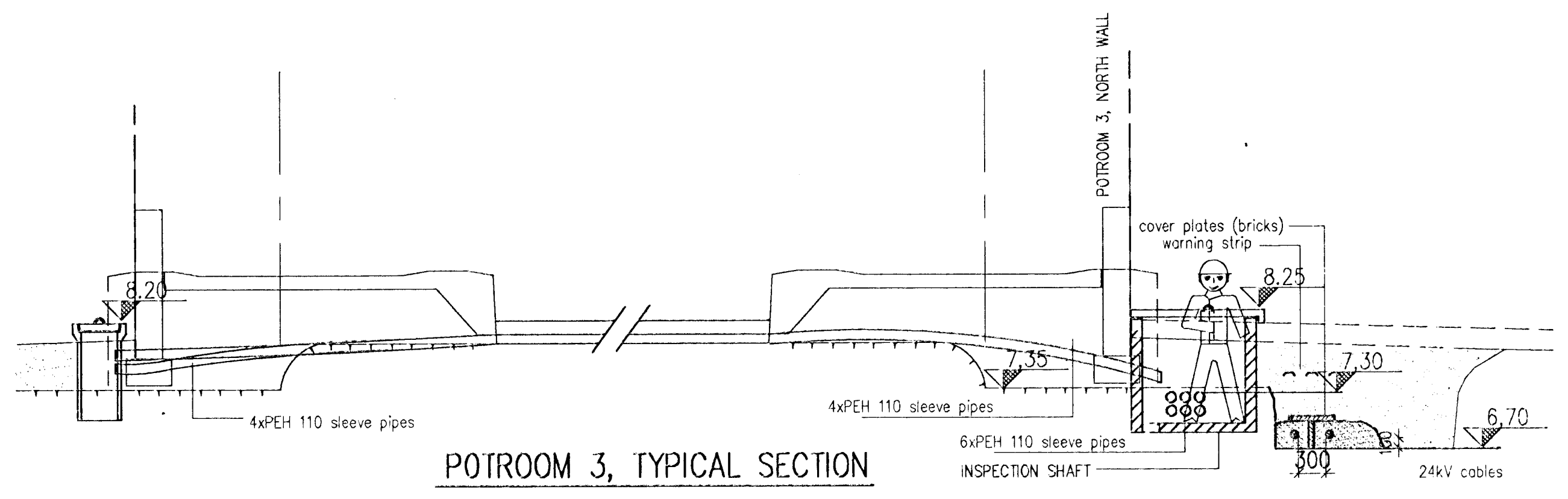
SECTION 3, TYPICAL

SECTION 2, TYPICAL

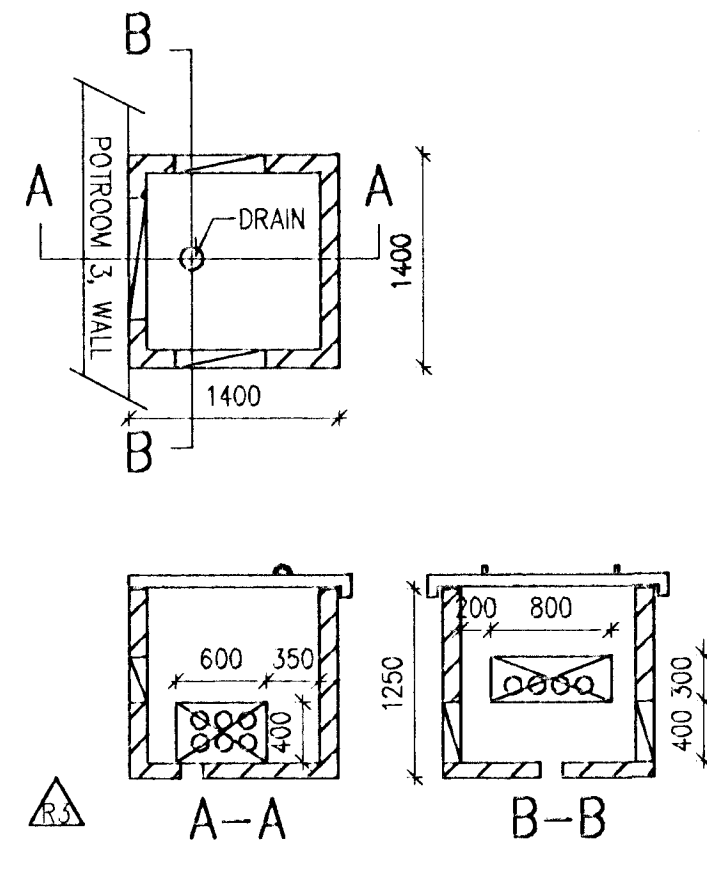
SECTION 1, TYPICAL



SIMPLIFIED SINGLE LINE DIAGRAM



POTROOM 3, TYPICAL SECTION



INSPECTION SHAFTS, OPENINGS

HAFNARFJÖRÐUR  
BYGGINGAÆTLIÐI  
AFGREITT  
28/2/96  
BS

**LEGEND**  
Elevations are in metres in Hafnarfjörður height system.  
Coordinates x,y are in metres in a local coordinate system.  
  
All pipes shall be installed in such a manner that no water pool can develop inside the pipes. All ends shall be securely closed. Inside each pipe shall be a 7 mm nylon cord for later use.

1:50  
1 0 1 2 3 4 5 m

REV. NO.	DATE	REVISION	BY	APP.	REV. NO.	DATE	REVISION	BY	APP.	NOTES	REFERENCE DRAWING	DRAWING NUMBER
3	1998.02.22	INSPECTION SHAFTS, OPENINGS	SHT	N. I.								
2	1996.01.23	Substations 111 and 112 removed, HV-cable changed	SHT	N. I.								
1	1995.11.23	Approved for construction		N. I.								

This drawing is our property and given for personal use only. It may not be copied or made available to others without our permission. The receiver is responsible for any misuse.

VST CONSULTING ENGINEERS LTD. Arimula 4, 108 Reykjavík, Iceland Tel: +354 569 5000 Fax: +354 569 5010	DRAWN 20.OCT.95 GSS APPROVED 20.OCT.95 GSS PROCESS 20.OCT.95 NI PROJECT 20.OCT.95 NI SCALE 1:50 FORWAT AL	95.120 - 11.112
	<b>ICELANDIC ALUMINIUM COMPANY LTD</b>	POTROOM NO. 3 EARTHWORK OUTDOOR ELECTRICAL CABLEWAYS TYPICAL PLAN AND SECTIONS
ALUSUISSE ENGINEERING LTD. ZÜRICH SWITZERLAND	79000-32012	3
ICELANDIC ALUMINIUM CO. LTD	186.512	5011-AP-1092