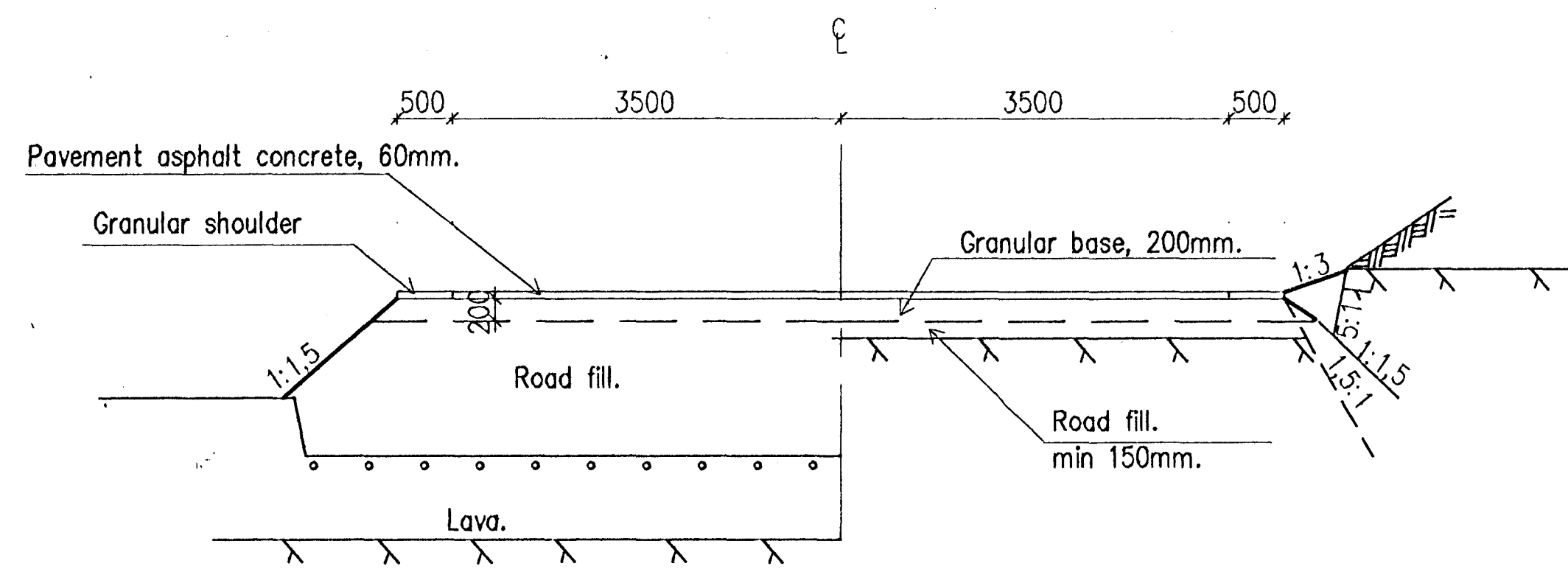
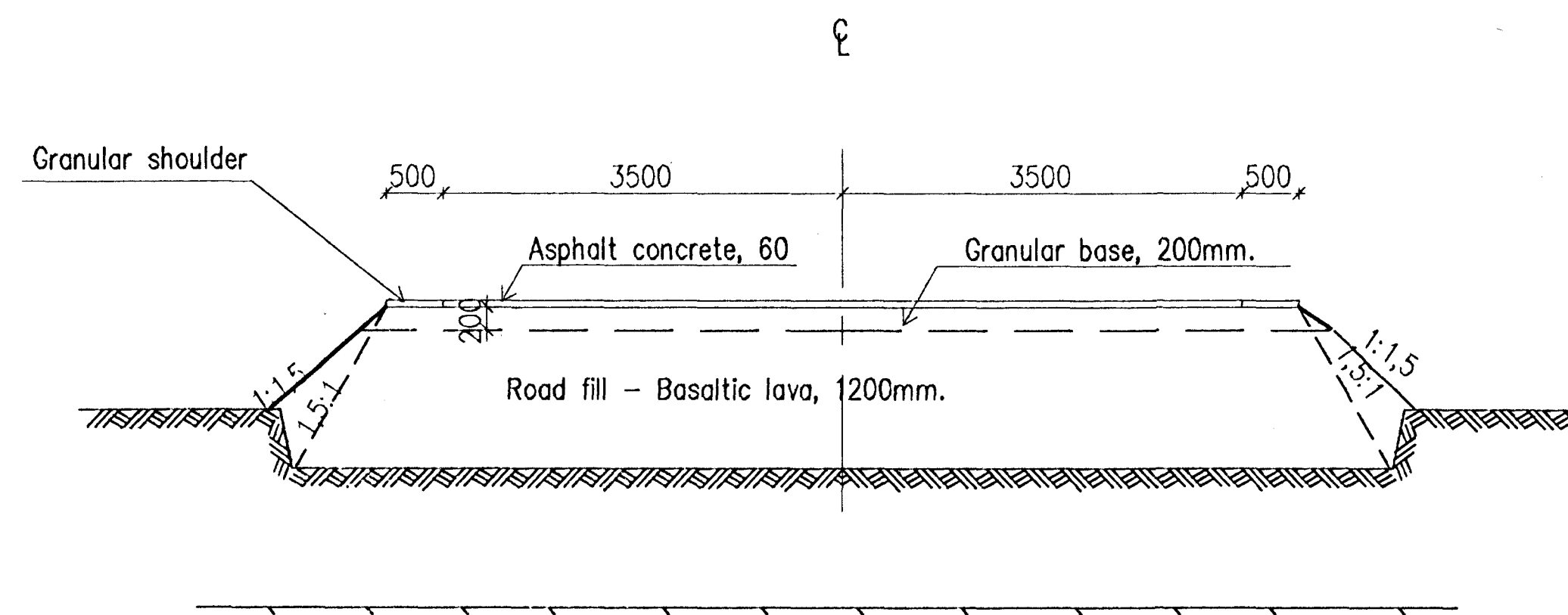


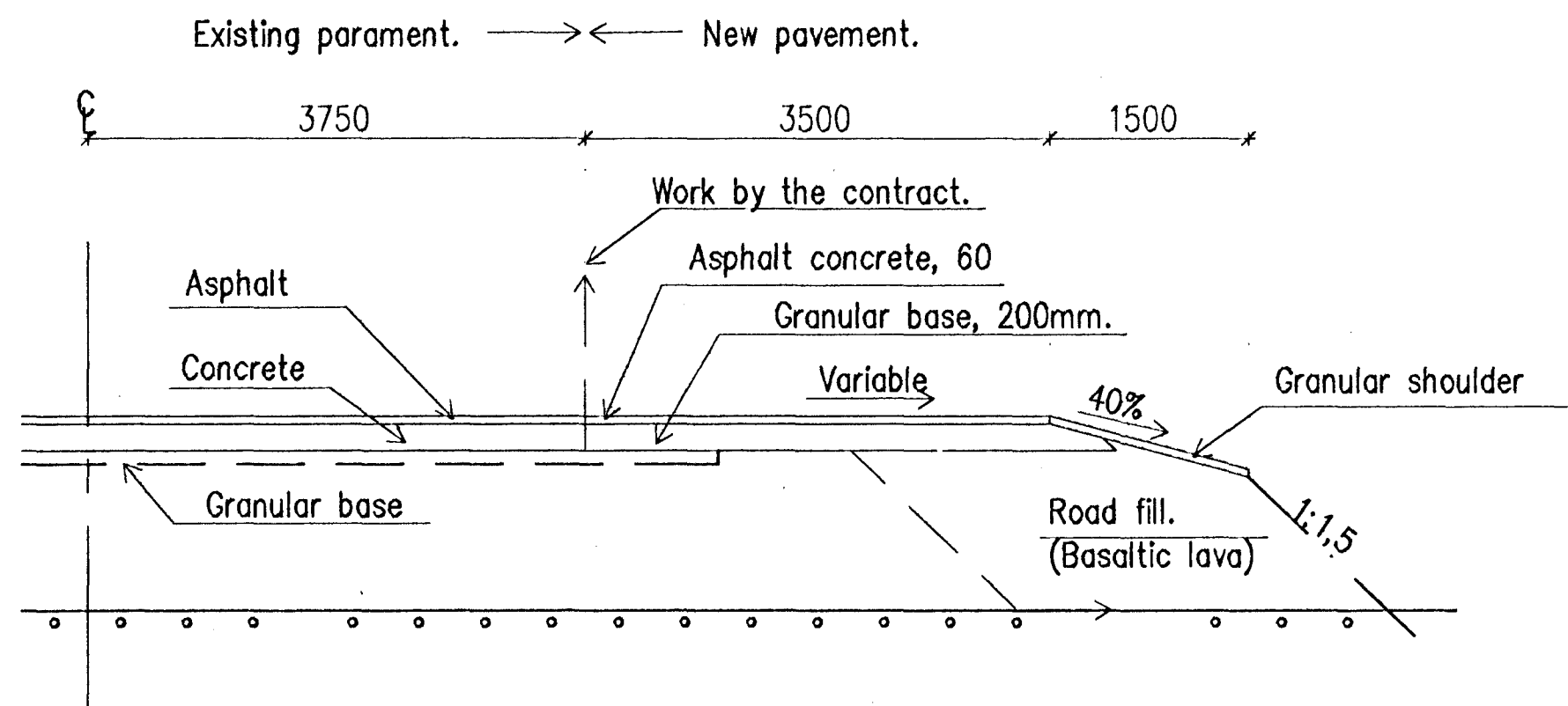
Access Road - East end 1:50



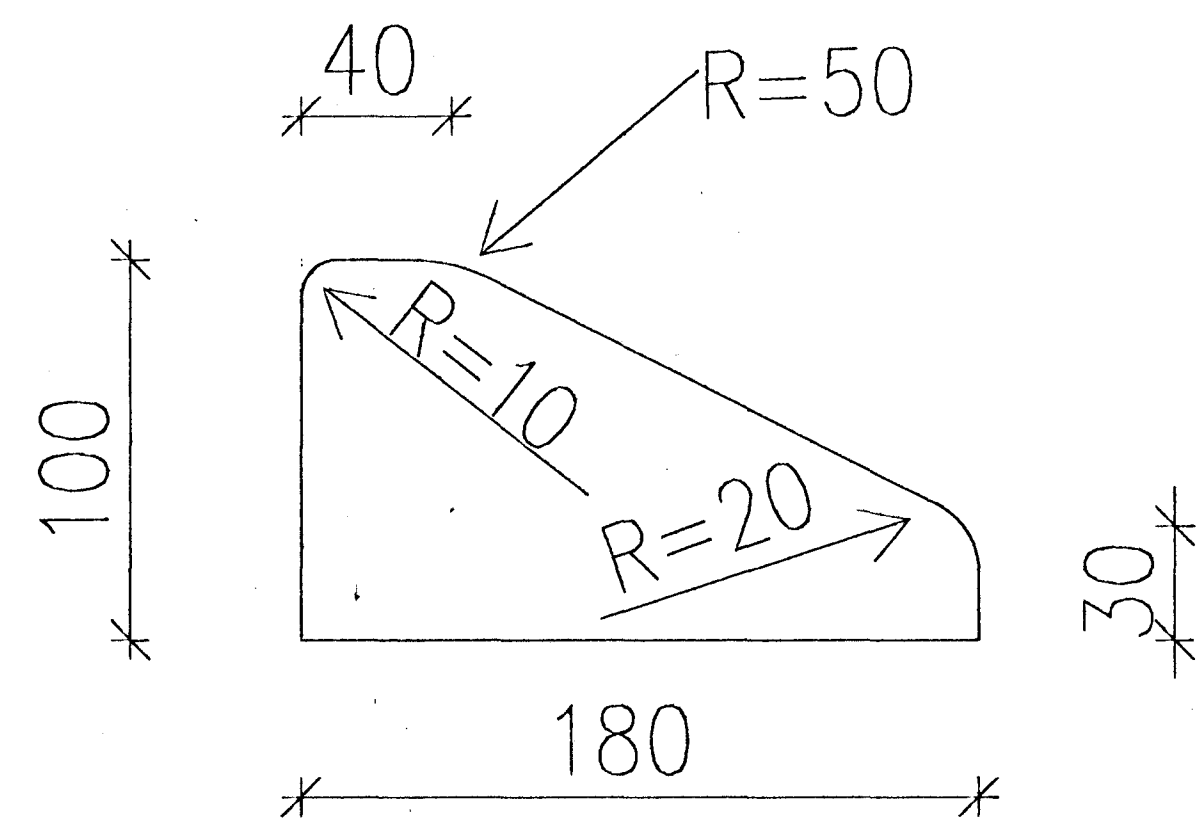
Access Road - West end 1:50



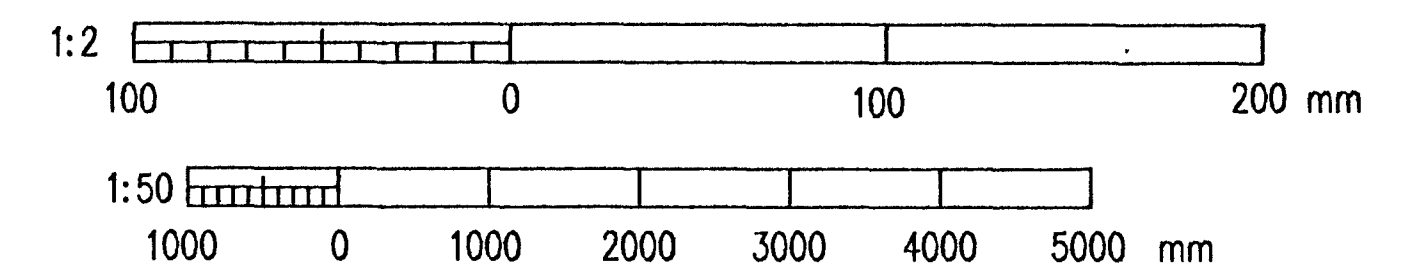
Widening of Reykjanesbraut 1:50



Concrete curb 1:2



HAFMARRABUR
 29/11/96
 AFRÉTT



										VST CONSULTING ENGINEERS LTD. Armula 4 108 Reykjavik Iceland Tel: +354 569 5000 Fax: +354 569 5010		95.120 - 11.122	
										ICELANDIC ALUMINIUM COMPANY LTD.		POTROOM NO. 3 EARTHWORK INTERSECTION AT REYKJANESBRAUT SECTIONS	
										ALUSUISSE ALESA ZURICH SWITZERLAND		79000-32022	
										ICELANDIC ALUMINIUM CO. LTD		186.522	
1	23.11.1995	Approved for construction		ðss	N.I.								
REV. NO.	DATE	REVISION	BY	APP.	REV. NO.	DATE	REVISION	BY	APP.	NOTES	REFERENCE DRAWING	DRAWING NUMBER	REVISION