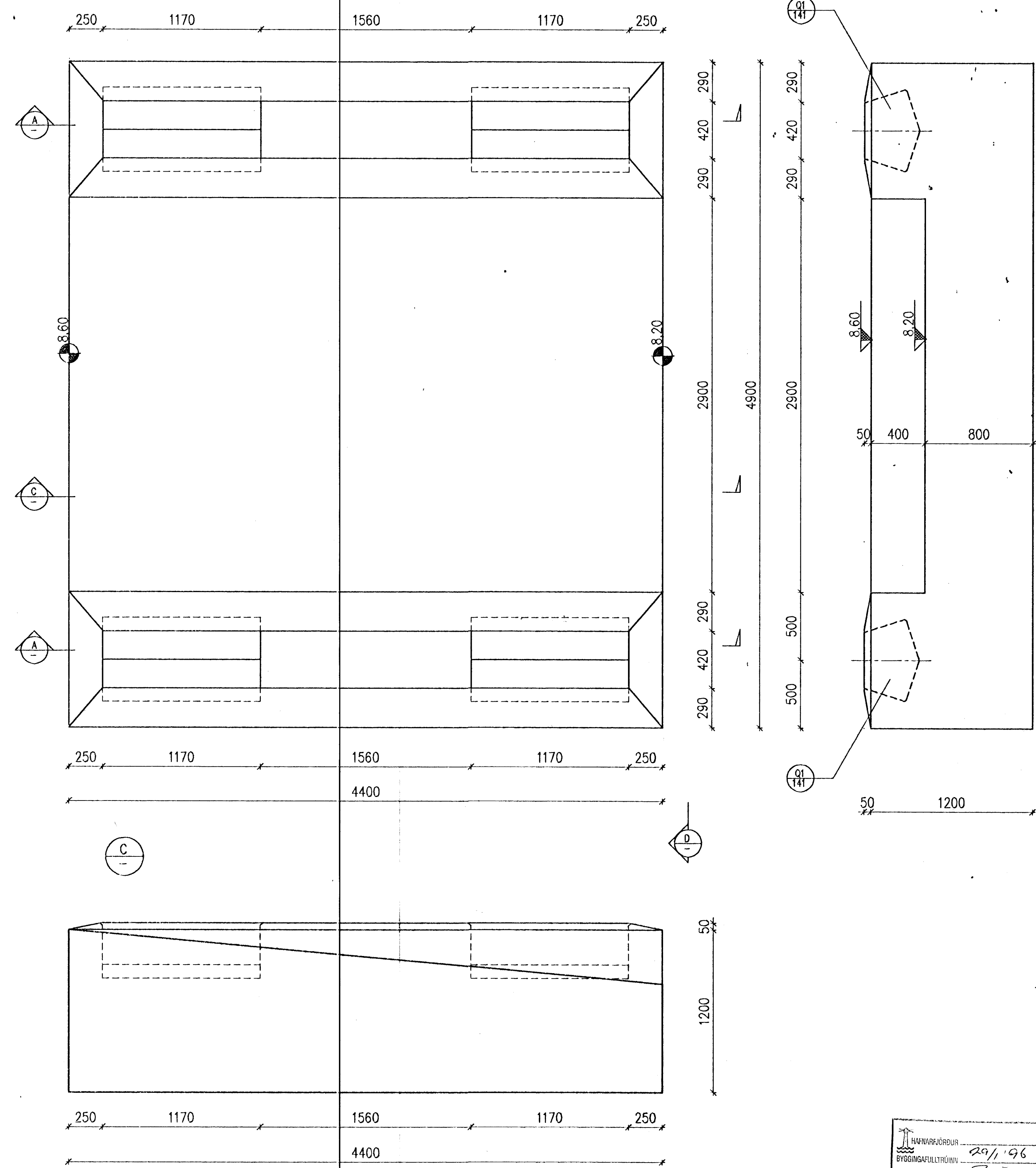
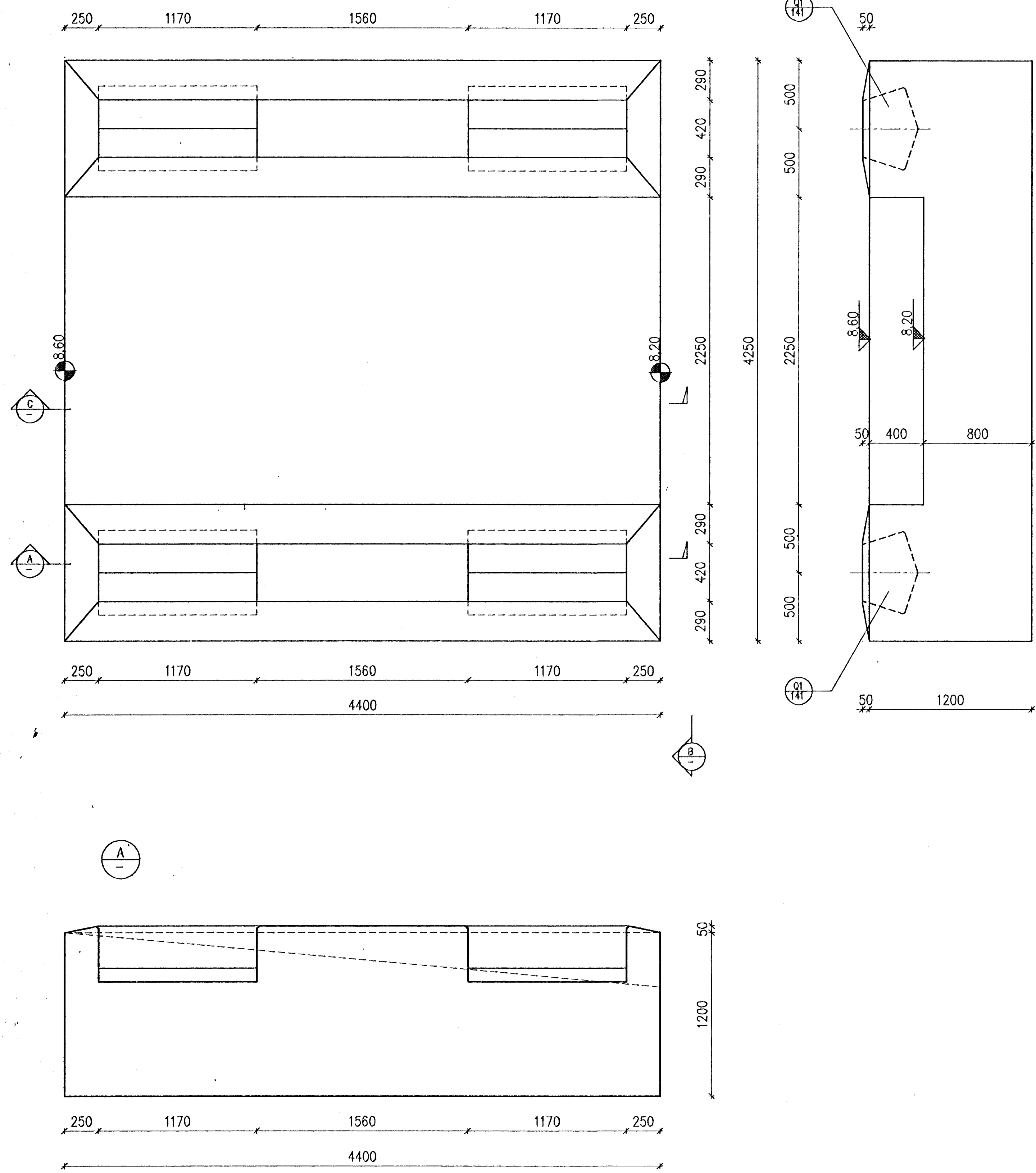


F9  
102 2 pieces

B

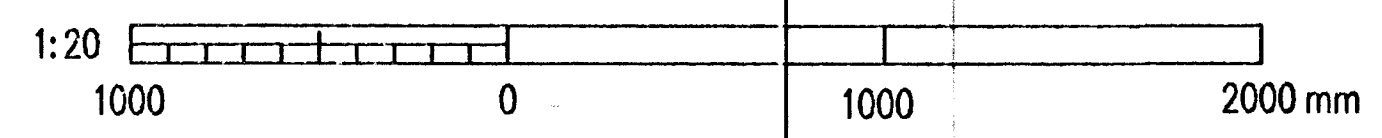
F10  
102 1 piece

D



HAFNARDRÖPUL  
BYGGINGAFLUTHERNI  
AFGREITT  
29/1.96  
TSD

CONCRETE: C30/37-38-32



| REV. NO. | DATE       | REVISION                  | BY  | APP. | REV. NO. | DATE | REVISION | BY | APP. | NOTES | REFERENCE DRAWING | DRAWING NUMBER |
|----------|------------|---------------------------|-----|------|----------|------|----------|----|------|-------|-------------------|----------------|
| 1        | 1996.01.02 | APPROVED FOR CONSTRUCTION | TSD | N.I. |          |      |          |    |      |       |                   |                |

|   |   |   |  |
|---|---|---|--|
| <b>VST</b> VST CONSULTING ENGINEERS Ltd.<br>Armúgá 4 108 Reykjavík Iceland<br>Tel: +354 569 5000 Fax: +354 569 5010 |   | 95.120 - 12.114   |  |
| <b>ICELANDIC ALUMINIUM COMPANY LTD.</b>   | DRAWN 95.10.28 FGS<br>APPROVED 95.10.28 KGS<br>PROCESS 95.10.28 NI<br>PROJECT 95.10.28 NI<br>SCALE 1:20 FORMWORK A1 | POTROOM NO. 3<br>CONCRETE WORK<br>FOUNDATION F9 & F10<br>FORMWORK |  |
| <b>ALUSUISSE ALESA</b>  | <b>ALUSUISSE ENGINEERING LTD. ZÜRICH SWITZERLAND</b>  | 79000-32314   |  |
| <b>ISAL</b>   | <b>ICELANDIC ALUMINIUM CO. LTD</b>  | 186.614   |  |