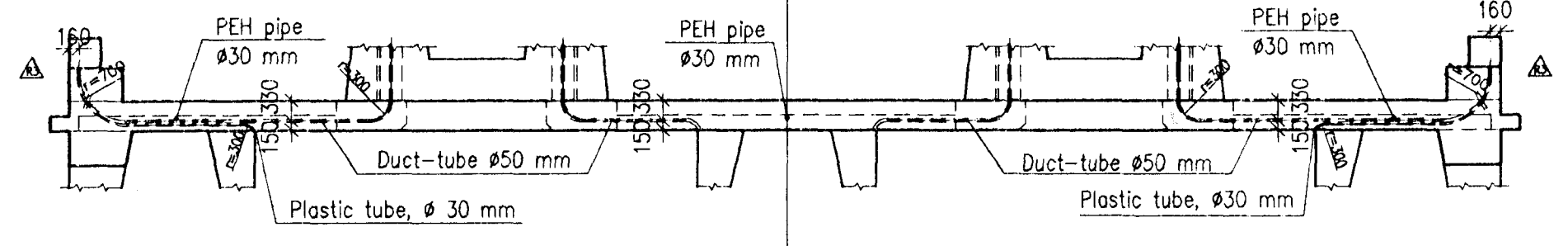


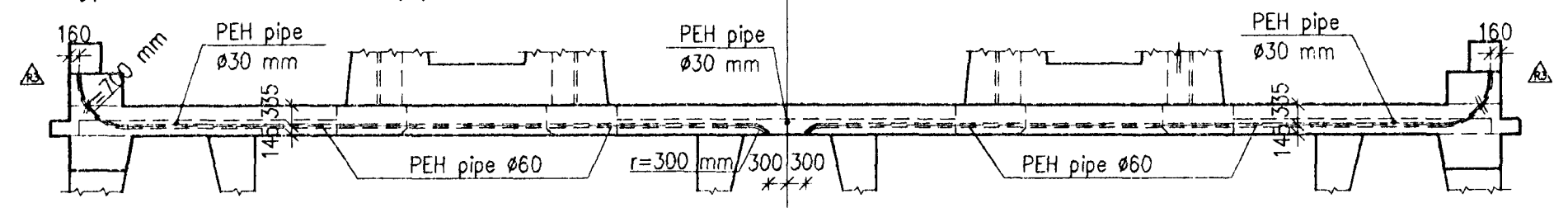
HANNAVEJUR
 BYGGINGAFLUTNING
 28/3/96
 AFRÉTTI
 BS

A TYPICAL LOCATION OF EMBEDDED PIPES

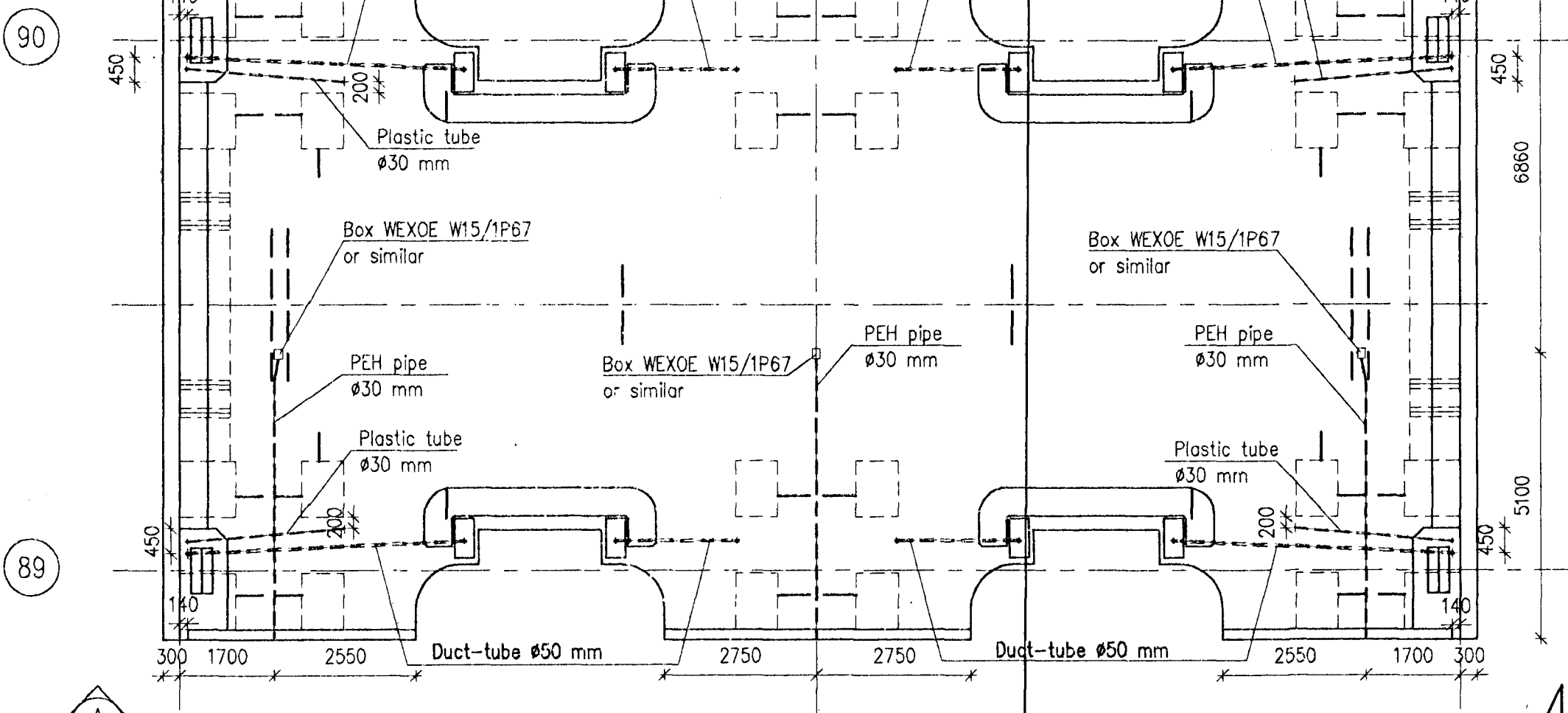
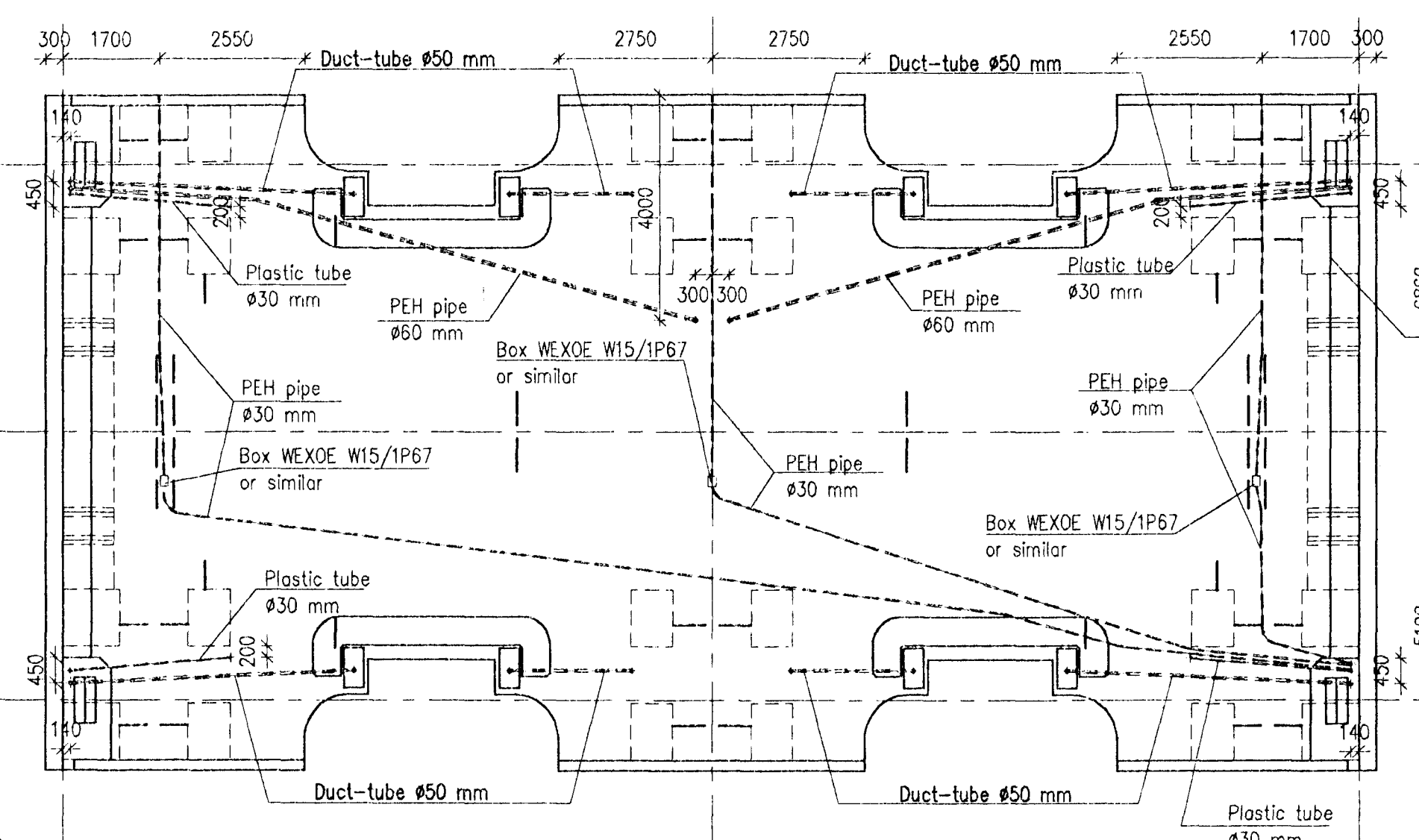
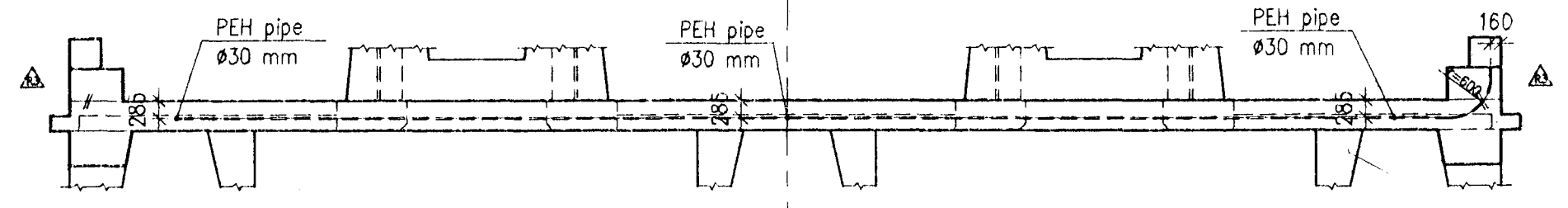
Typical location of Duct tube $\varnothing 50$ mm and plastic tube $\varnothing 30$ mm.



Typical location of PEH pipe $\varnothing 60$ mm.



Typical location of PEH pipe $\varnothing 30$ mm.



REV. NO.	DATE	REVISION	BY	APP.	REV. NO.	DATE	REVISION	BY	APP.	NOTES	REFERENCE DRAWING	DRAWING NUMBER
3	1996.03.25	MINOR REVISION	NI	N.I.								
2	1996.02.16	TABLE T9 IN MOD. LINES 45-46 ADDED	FGS	N.I.								
1	1996.01.25	APPROVED FOR CONSTRUCTION	FGS	N.I.								

VIT VST CONSULTING ENGINEERS LTD.
 Armula 4 108 Reykjavik Iceland
 Tel: +354 569 5000 Fax: +354 569 5010

ICELANDIC ALUMINIUM COMPANY LTD.

DRAWN 1996.01.25 FGS
 APPROVED 1996.01.25 NI
 PROJECT 1996.01.25 NI
 SCALE 1:100

ALUSUISSE ENGINEERING LTD.
 ZURICH SWITZERLAND

ICELANDIC ALUMINIUM CO. LTD

95.120 - 12.125
 CONCRETE WORK
 POTROOM NO. 3
 TABLE T9, EMBEDDED PIPES
 FORMWORK
 79000-32325
 186.625

REVISION 3

This drawing is our property and given for personal use only. It may not be copied or made available to others without our permission. The receiver is responsible for any misuse.