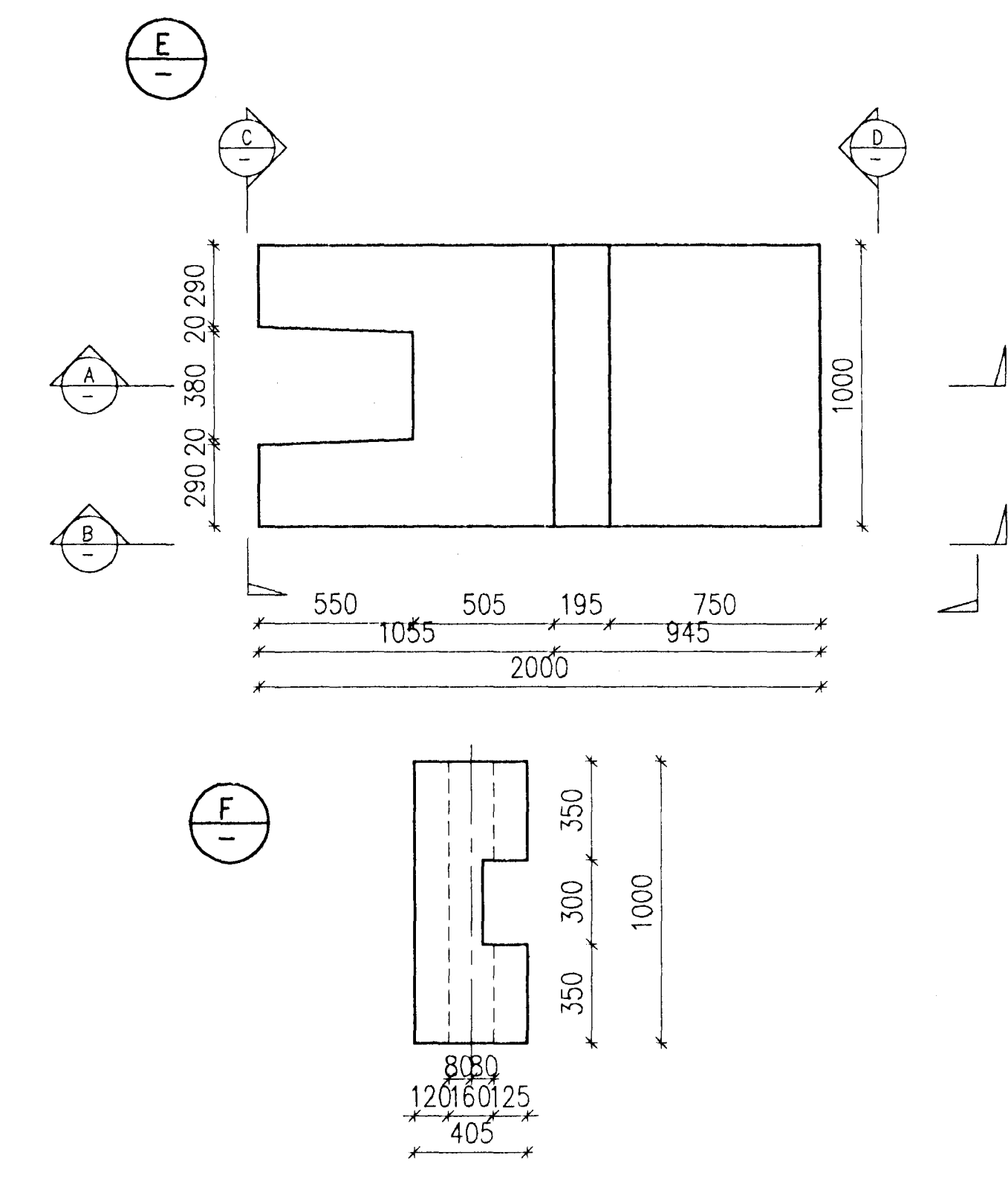
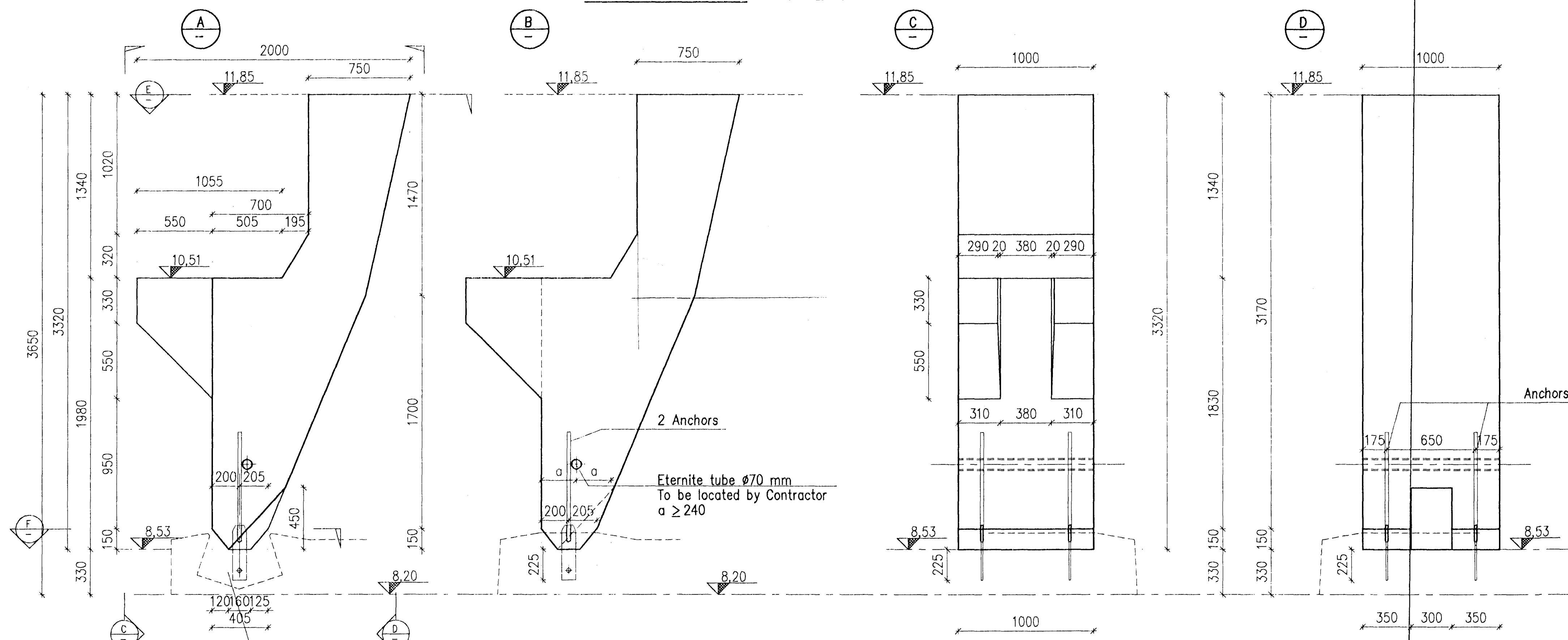
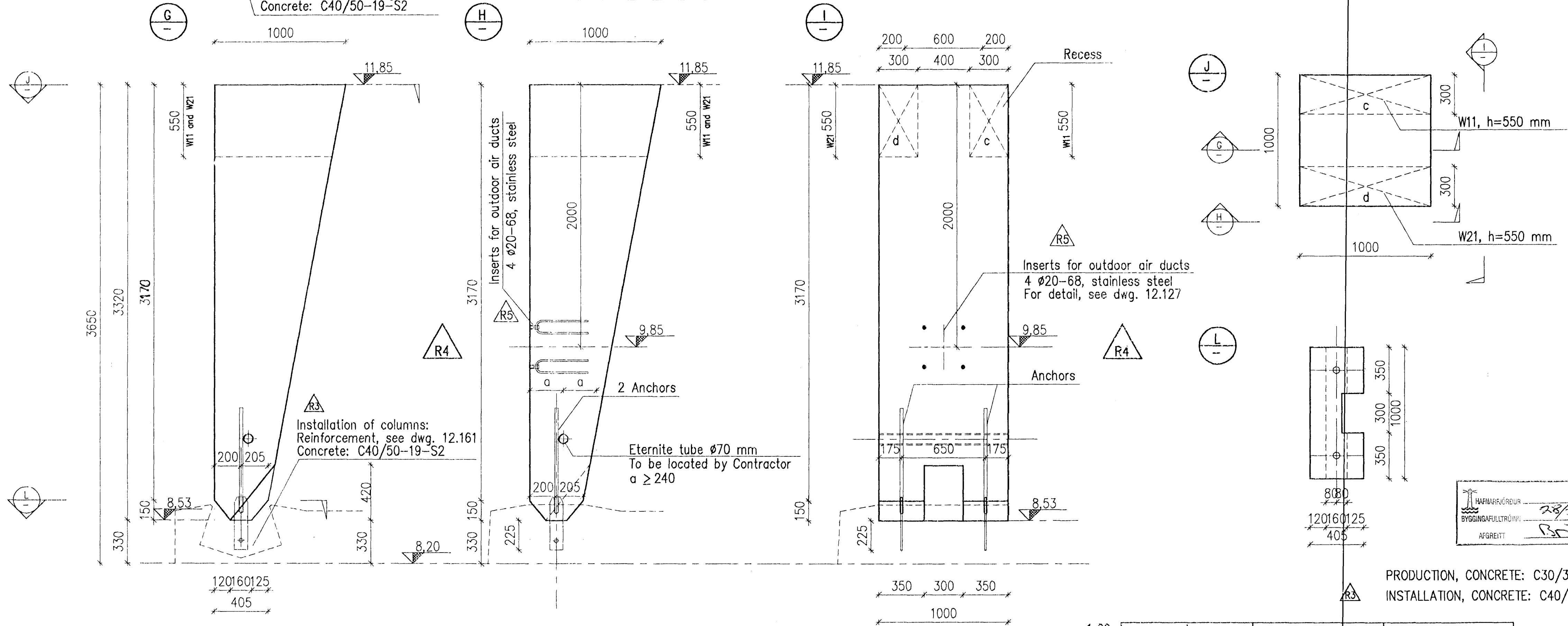


CATHODE COLUMNS TYPE K



Installation of columns:
Reinforcement, see dwg. 12.161
Concrete: C40/50-19-S2

OUTSIDE COLUMNS TYPE W



Installation of columns:
Reinforcement, see dwg. 12.161
Concrete: C40/50-19-S2

PRODUCTION, CONCRETE: C30/37-25-S2
INSTALLATION, CONCRETE: C40/50-19-S2

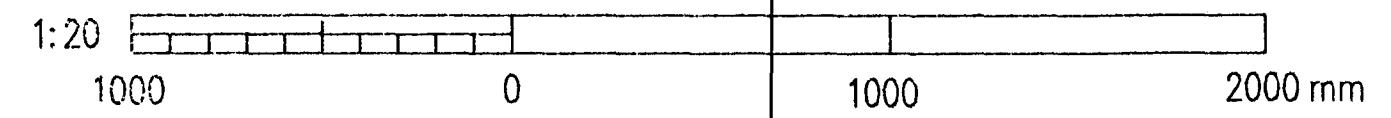
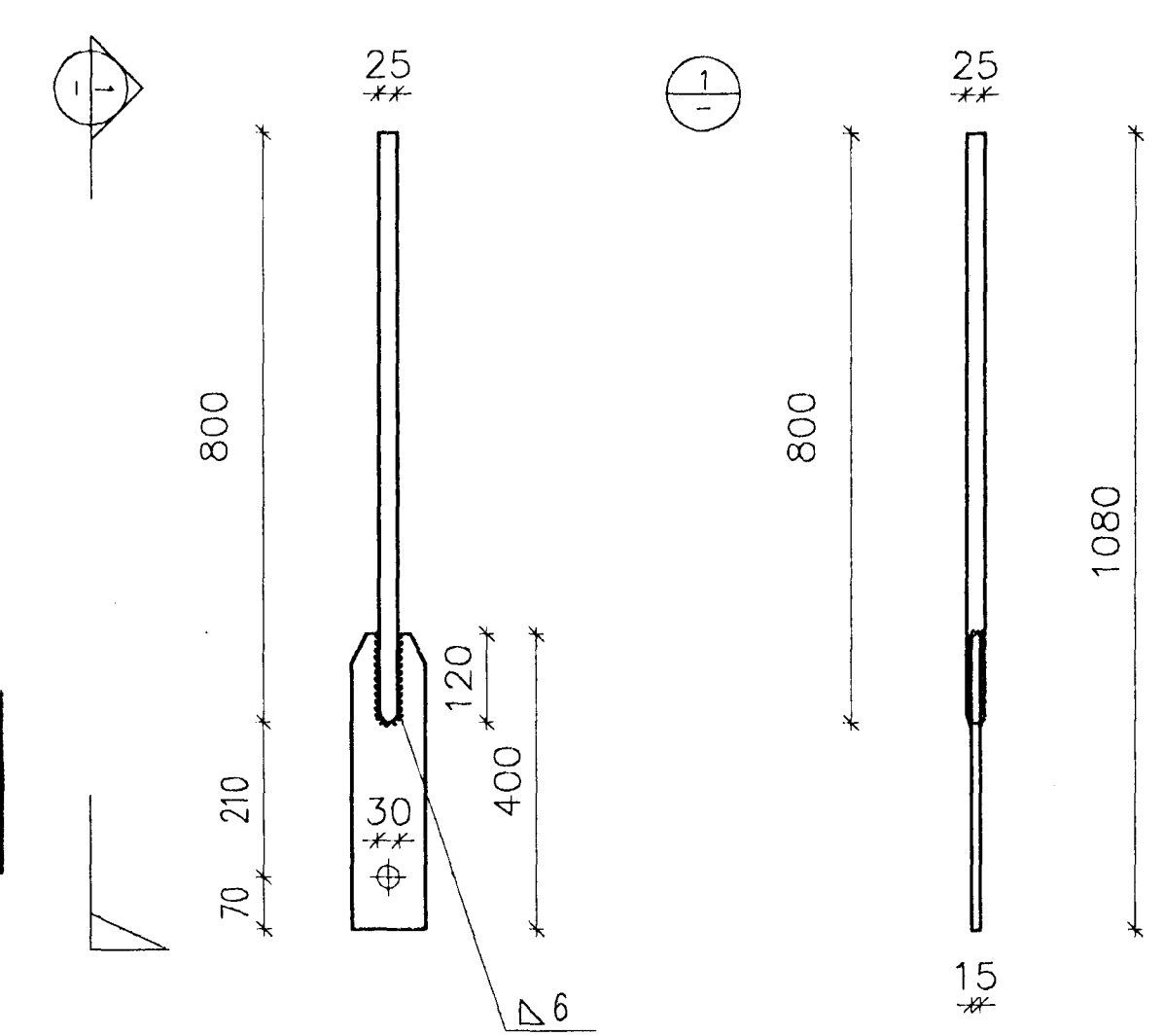
NUMBER OF CATHODE COLUMNS

- Type K 576 pieces
- Type K2 136 pieces Different reinforcement see dwg. 12.78

NUMBER OF OUTSIDE COLUMNS

- Type W1 288 pieces
- Type W2 34 pieces Different reinforcement see dwg. 12.178
- Type W11 17 pieces Recess W11 "c", h=550 mm
- Type W21 17 pieces Recess W21 "d", h=550 mm

ANCHORS, SCALE 1:10



REV. NO.	DATE	REVISION	BY	APP.	REV. NO.	DATE	REVISION	BY	APP.	NOTES	REFERENCE DRAWING	DRAWING NUMBER
5	1996.03.25	NUMBER OF COLUMNS	NI	N.I.								
4	1996.02.14	INSERTS REVISED	KGS	N.I.								
3	1996.01.10	INSTALLATION OF COLUMNS	KGS	N.I.								
2	1996.01.02	APPROVED FOR CONSTRUCTION	FGS	N.I.								
1	95.12.08	FORM OF K COLUMN	FGS	N.I.								

VST CONSULTING ENGINEERS Ltd.
Armula 4 10B Reykjavik Iceland
Tel:+354 569 5000 Fax:+354 569 5010

95.120 - 12.128

POTROOM NO. 3
CONCRETE WORK
CATHODE & OUTSIDE COLUMNS
FORMWORK

ICELANDIC ALUMINIUM COMPANY LTD.

ALUSUISSE ENGINEERING LTD.
ZURICH SWITZERLAND

79000-32328

186.628

5

ICELANDIC ALUMINIUM CO. LTD