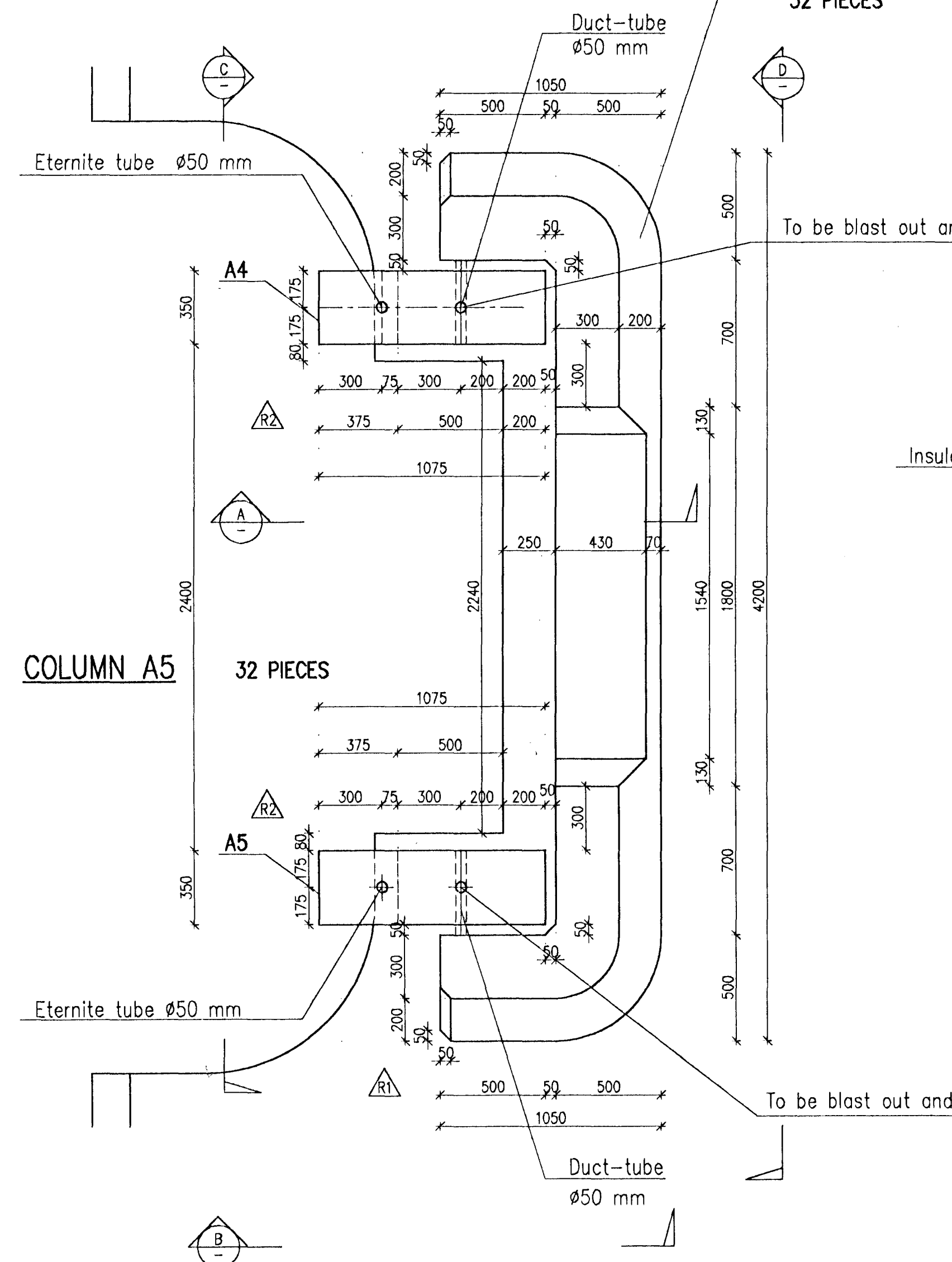


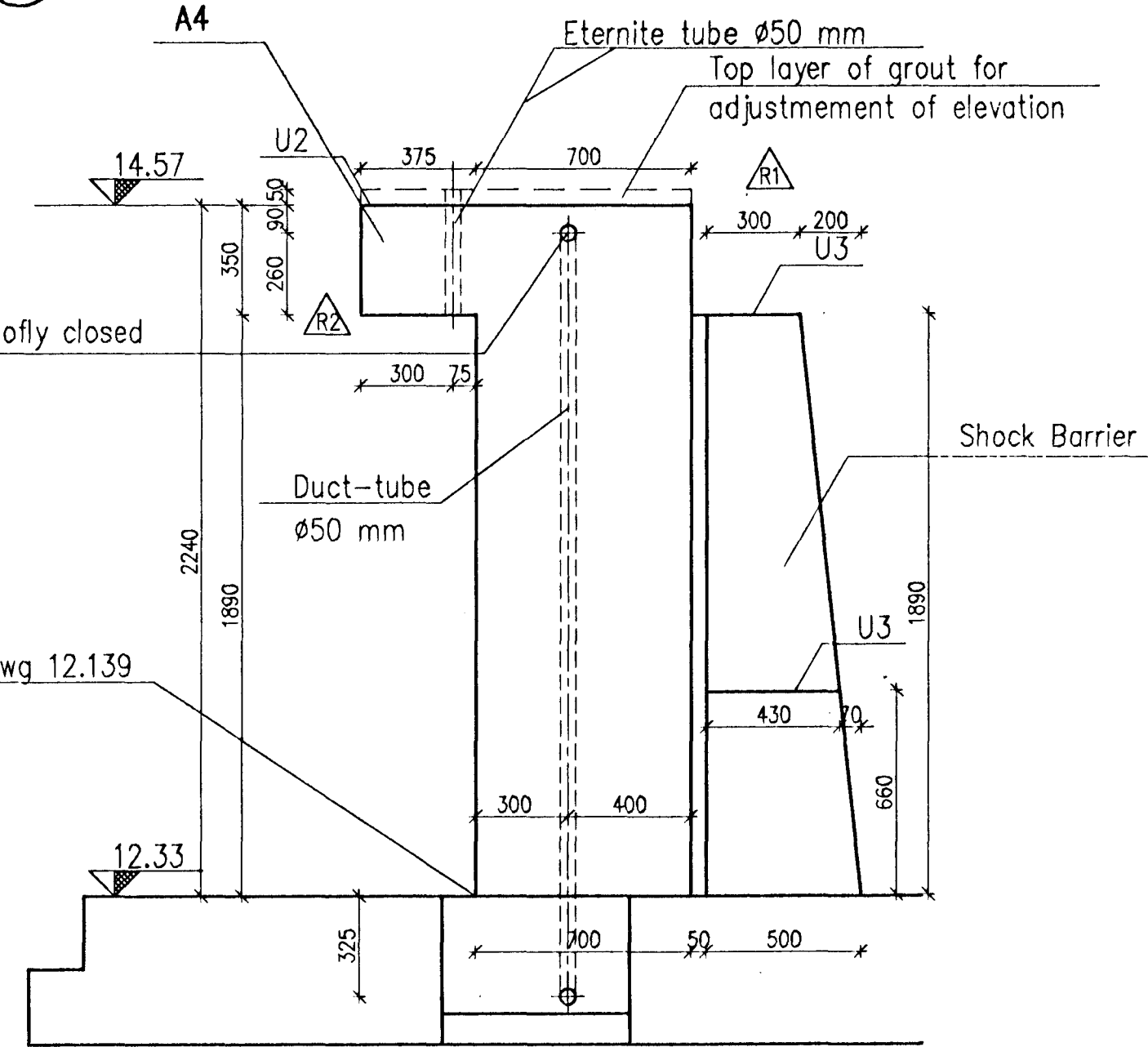
ANODE COLUMNS A4 AND A5, SHOCK BARRIER

COLUMN A4 32 PIECES

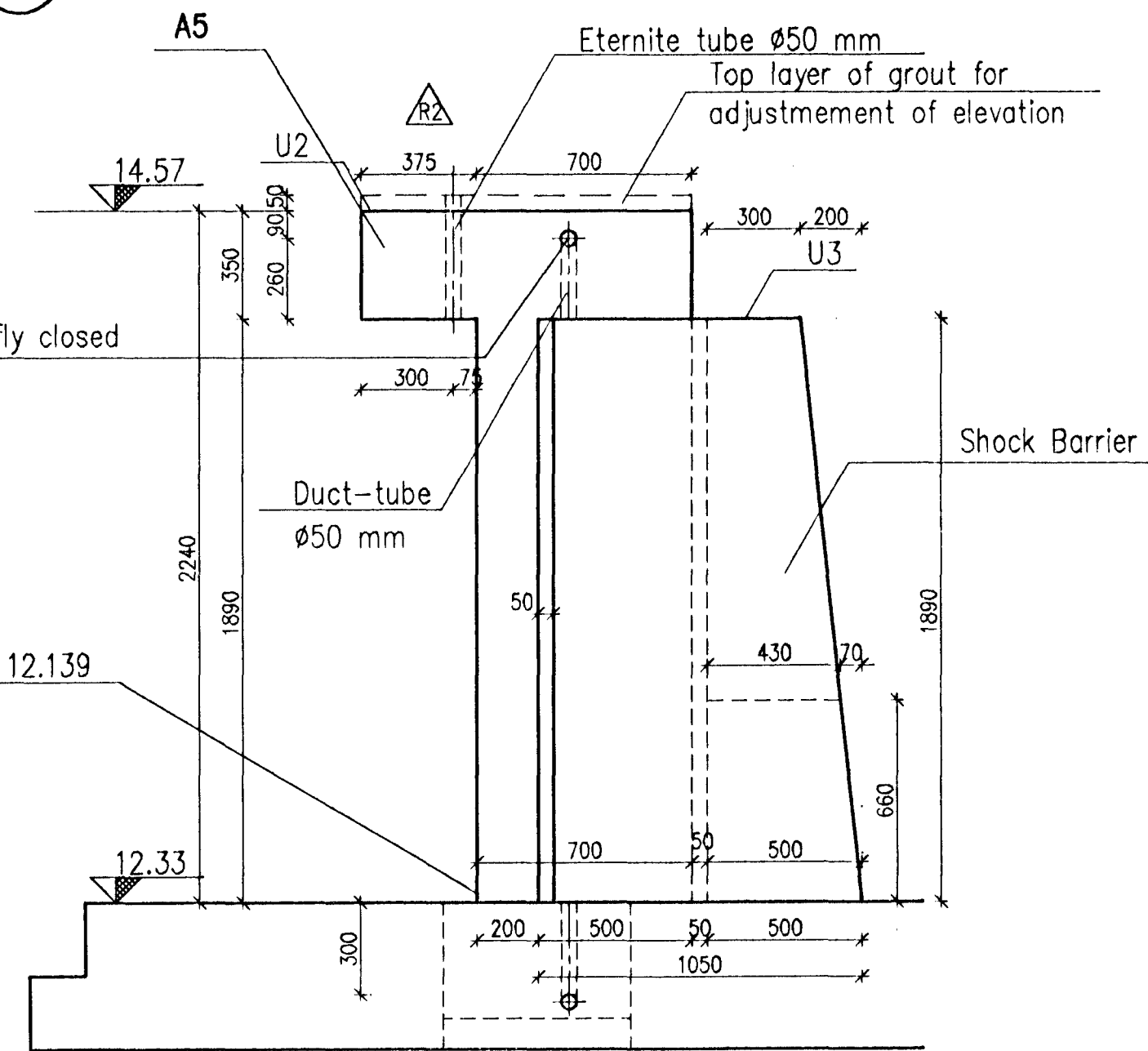
SHOCK BARRIER 32 PIECES



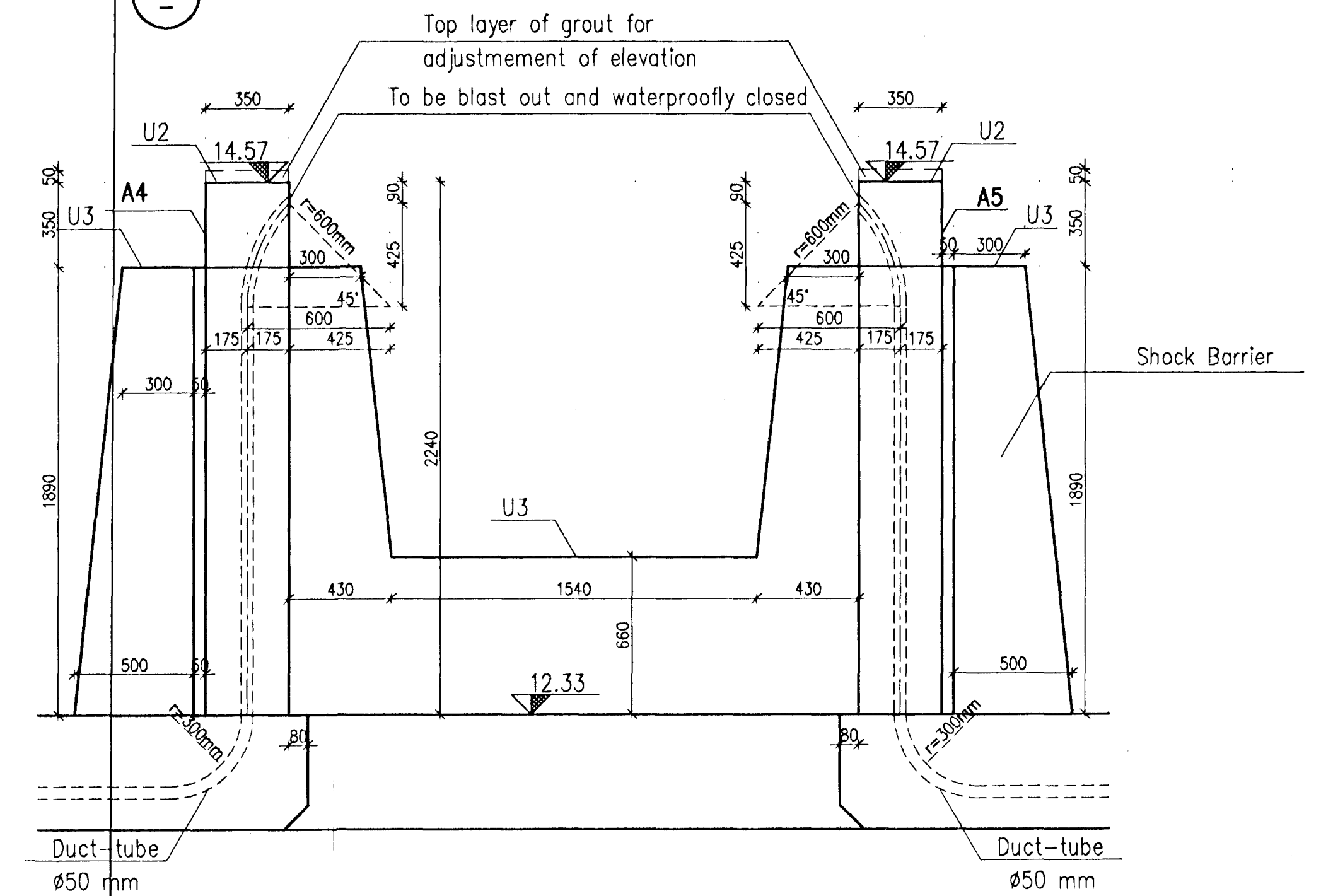
(A)



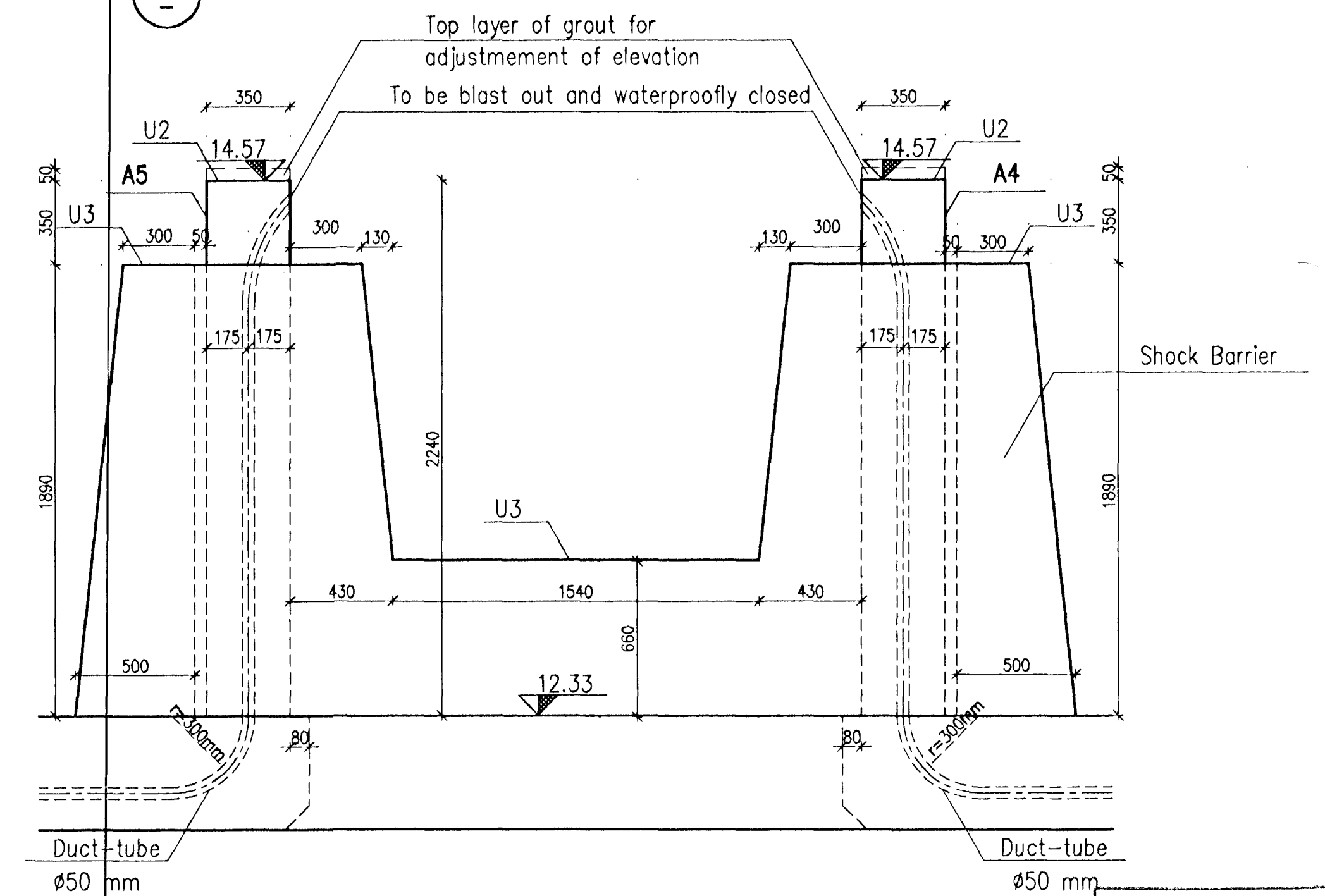
(B)



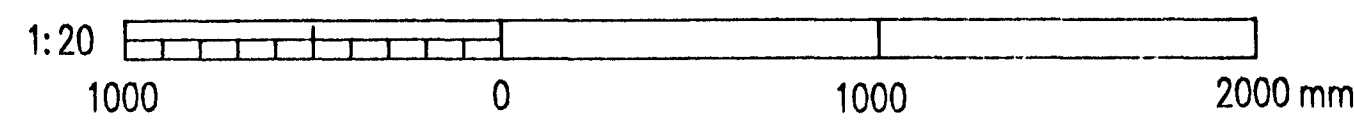
(C)



(D)



Before removing Duct-tube a wire has to be fastened at one end of the tube in order to insert electrical cables etc. after wards After temporary wire is inserted the hole has to be carefully cleaned with compressed air and the openings closed with a waterproof cover.



CONCRETE: C40/50-25-S2

HAFNARFJÓRÐUR
BYGGINGAVALTÖRÐUN
AFGREITT
14/3/96
PSE

REV. NO.	DATE	REVISION	BY	APP.	REV. NO.	DATE	REVISION	BY	APP.	NOTES	REFERENCE DRAWING	DRAWING NUMBER
2	1996.03.11	TOP OF ANODE COLUMNS	NI	A.I.								
1	1996.01.02	APPROVED FOR CONSTRUCTION	FGS	N.I.								

<p>VST CONSULTING ENGINEERS LTD. Armula • 108 Reykjavík Ísland Tel:+354 569 5000 Fax:+354 569 5010</p>	<p>95.120 - 12.131</p>
	<p>POTROOM NO. 3 CONCRETE WORK ANODE COLUMNS A4 AND A5 SHOCK BARRIER. FORMWORK</p>
<p>ICELANDIC ALUMINIUM COMPANY LTD.</p>	<p>79000-32331</p>
<p>ALUSUISSE ALESA ALUSUISSE ENGINEERING LTD. ZÜRICH SWITZERLAND</p>	<p>186.631</p>