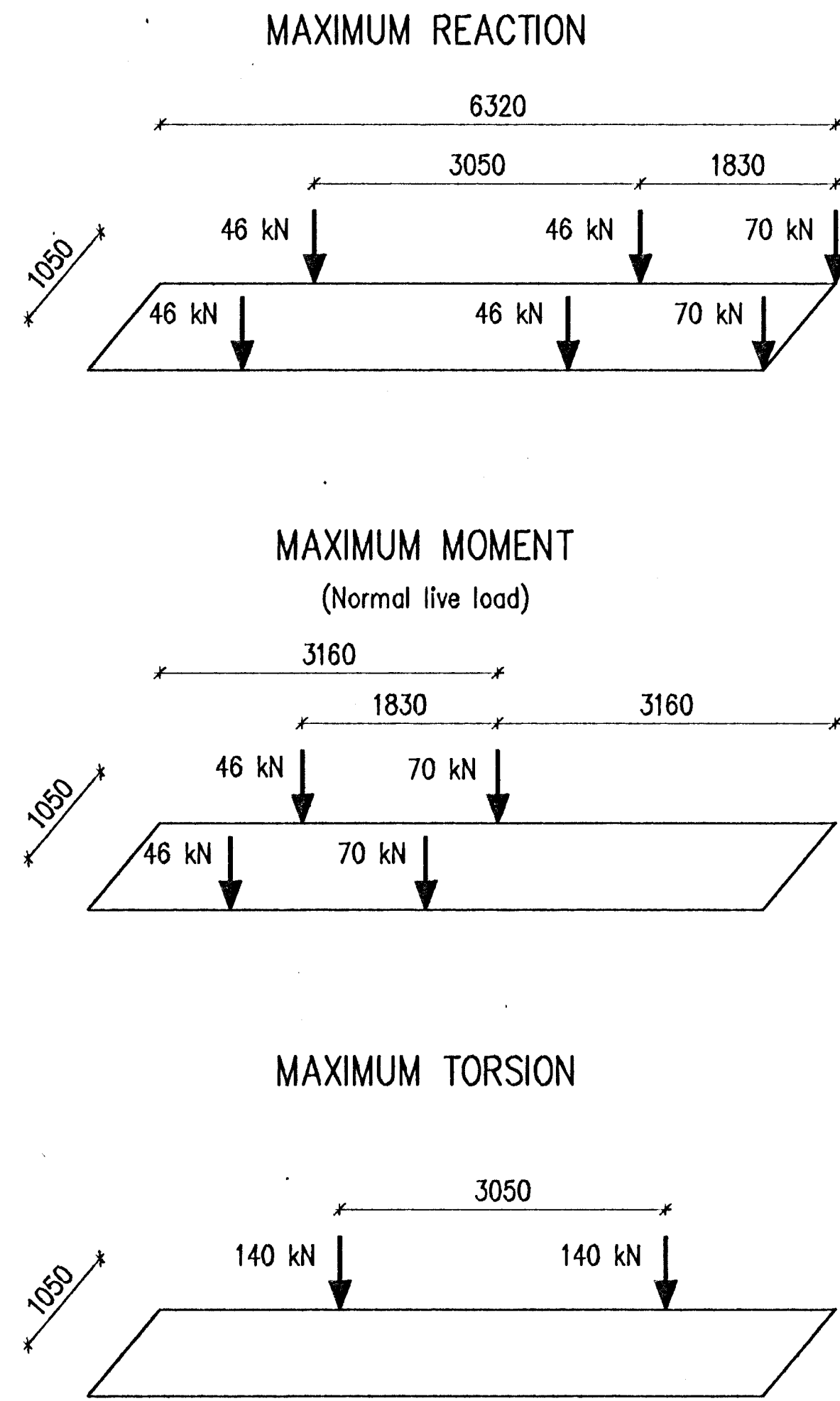


SLAB P1

Self weight of slab: 9,2 kN/m.
 Self weight of gratings: 2,0 kN/m (on each side)
 Distributed live load on slab: 5 kN/m
 Distributed live load from gratings: 3,5 kN/m (on each side)

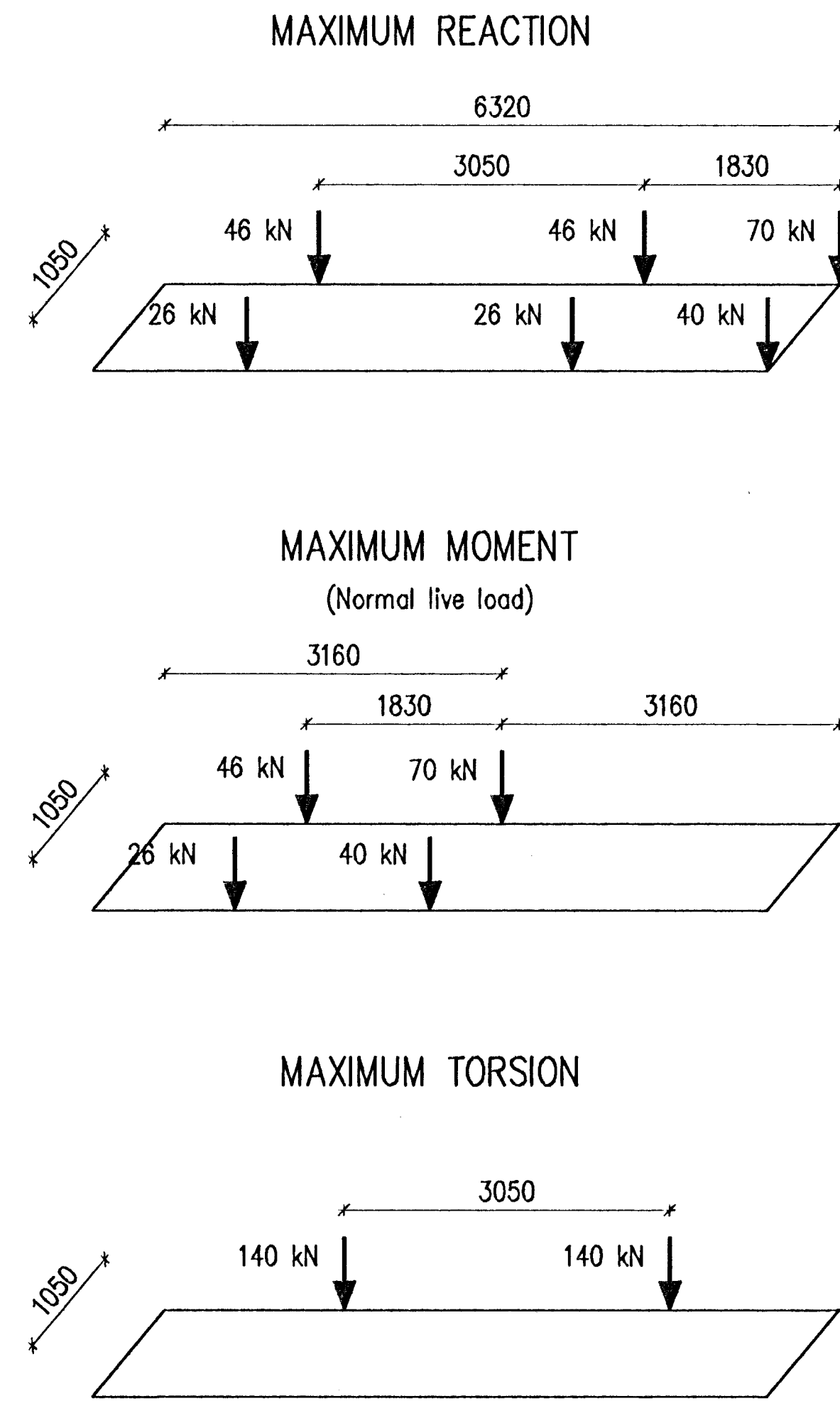
Live load, trucks :



SLAB P2

Self weight of slab: 9,2 kN/m.
 Self weight of gratings: 2,0 kN/m
 Distributed live load on slab: 5 kN/m
 Distributed live load from gratings: 3,5 kN/m

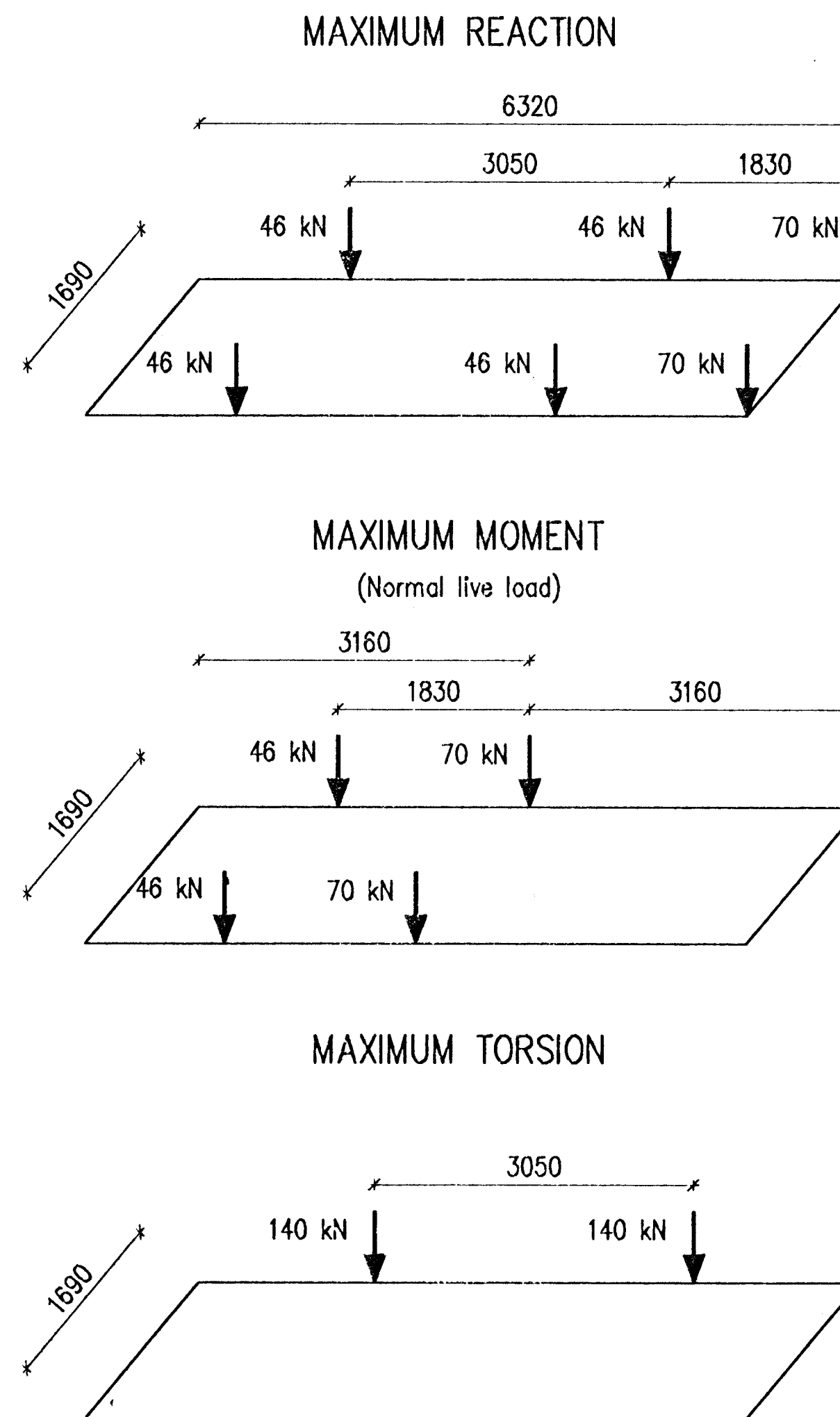
Live load, trucks :



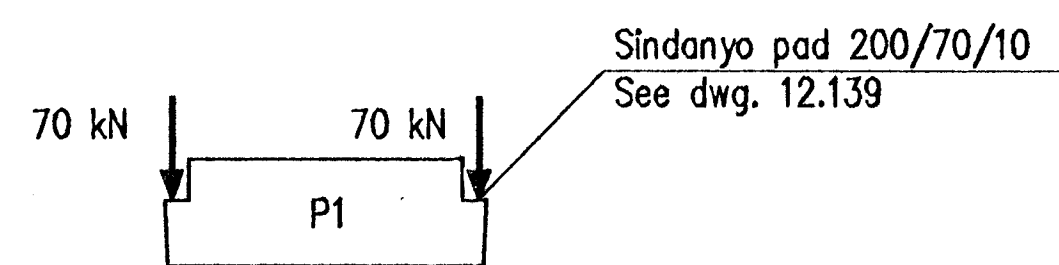
SLAB P3

Self weight of slab: 14,8 kN/m
 Distributed live load: 8,5 kN/m

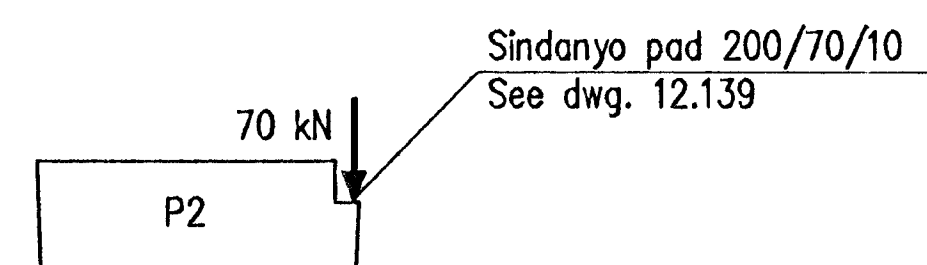
Live load, trucks :



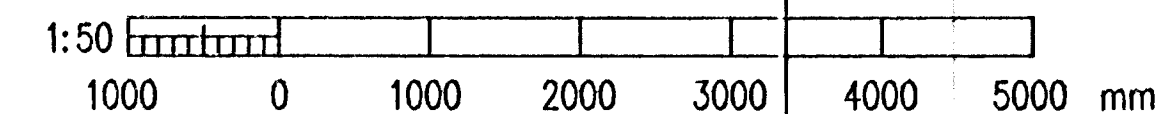
LOADING ON CURBS



This live load can occur at any place on cantilever



This live load can occur at any place on cantilever



BYGNINGAFULLTRÚÐ
 29/11/96
 AFGREITT

REV. NO.	DATE	REVISION	BY	APP.	REV. NO.	DATE	REVISION	BY	APP.	NOTES	REFERENCE DRAWING	DRAWING NUMBER
1	1996.01.02	APPROVED FOR CONSTRUCTION	FGS	A.L.								

This drawing is our property and given for personal use only. It may not be copied or made available to others without our permission. The receiver is responsible for any misuse.

VST CONSULTING ENGINEERS LTD. Armula 4 108 Reykjavik Iceland Tel: +354 569 5000 Fax: +354 569 5010	DRAWN 95.10.28 FGS APPROVED 95.10.28 KGS PROCESS 95.10.28 NI PROJECT 95.10.28 NI SCALE 1:50 FORW. AT	95.120 - 12.134 POTROOM NO. 3 CONCRETE WORK PRESTRESSED SLABS, GENERAL NOTES FORMWORK
	ALUSUSSE ALESA ALUSUSSE ENGINEERING LTD. ZURICH SWITZERLAND	79000-32334 186.634