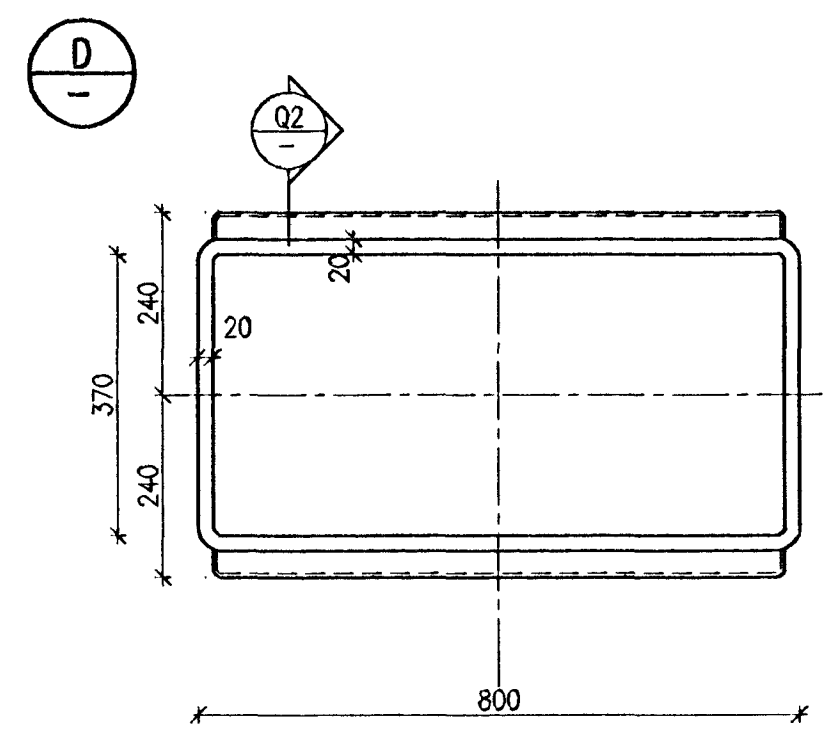
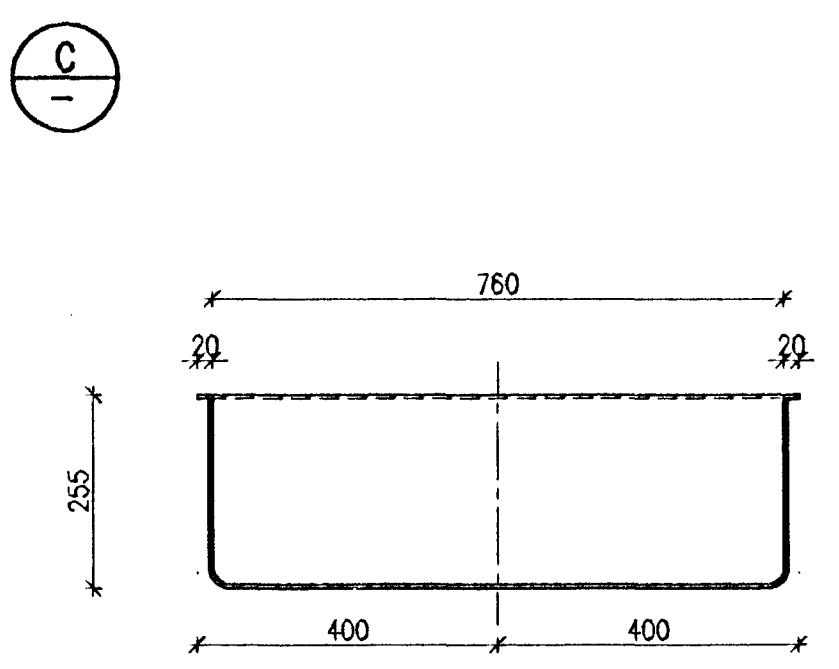
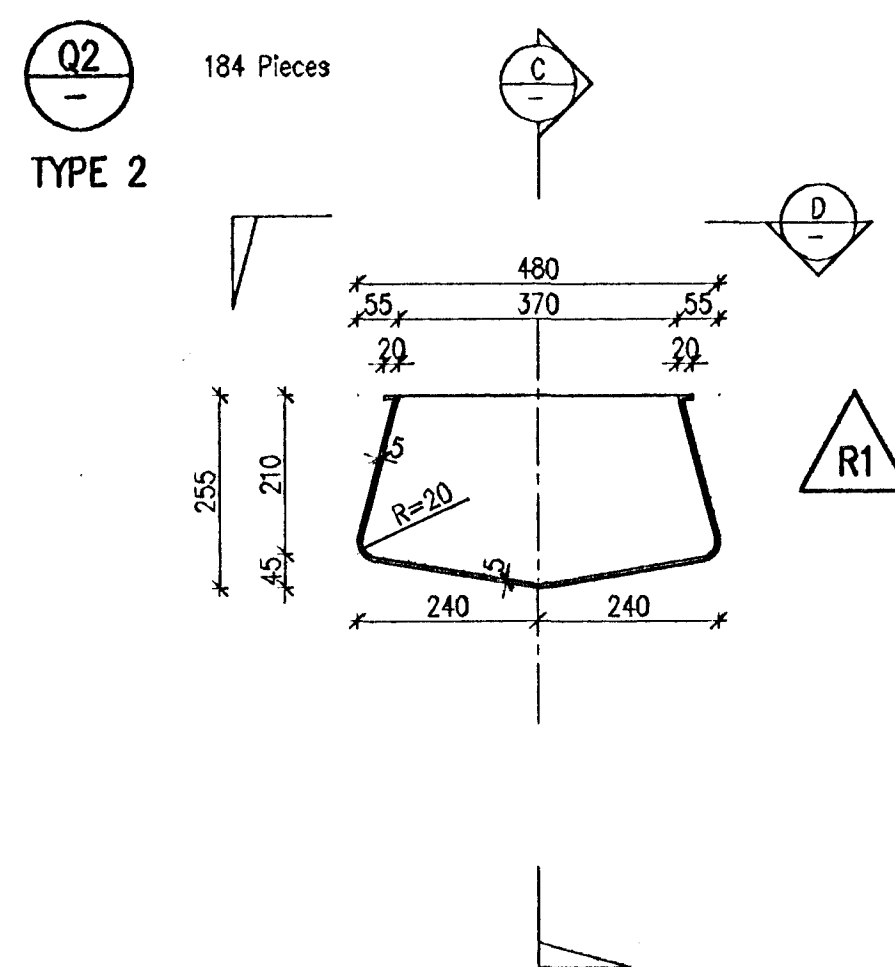
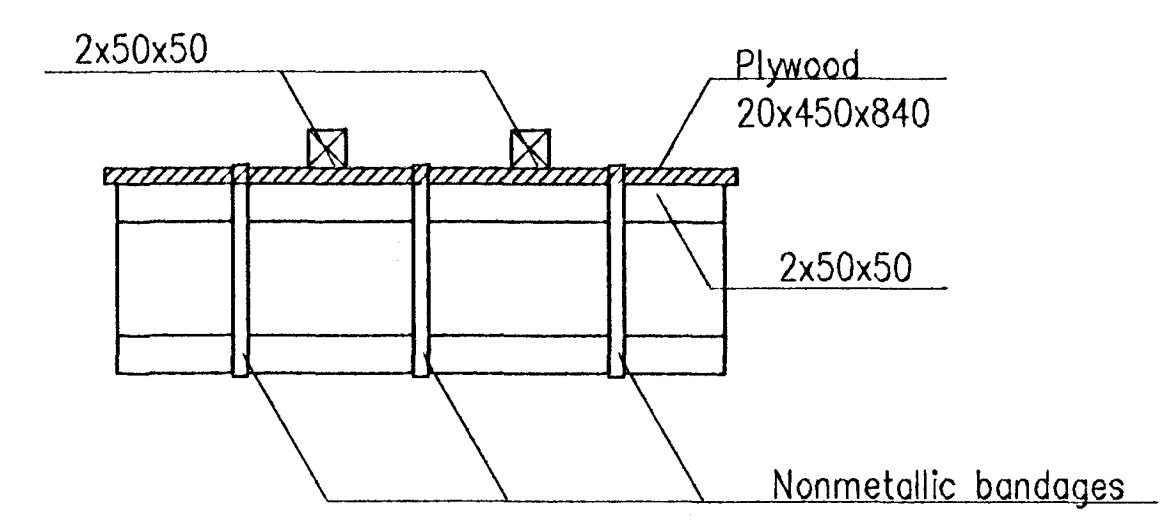
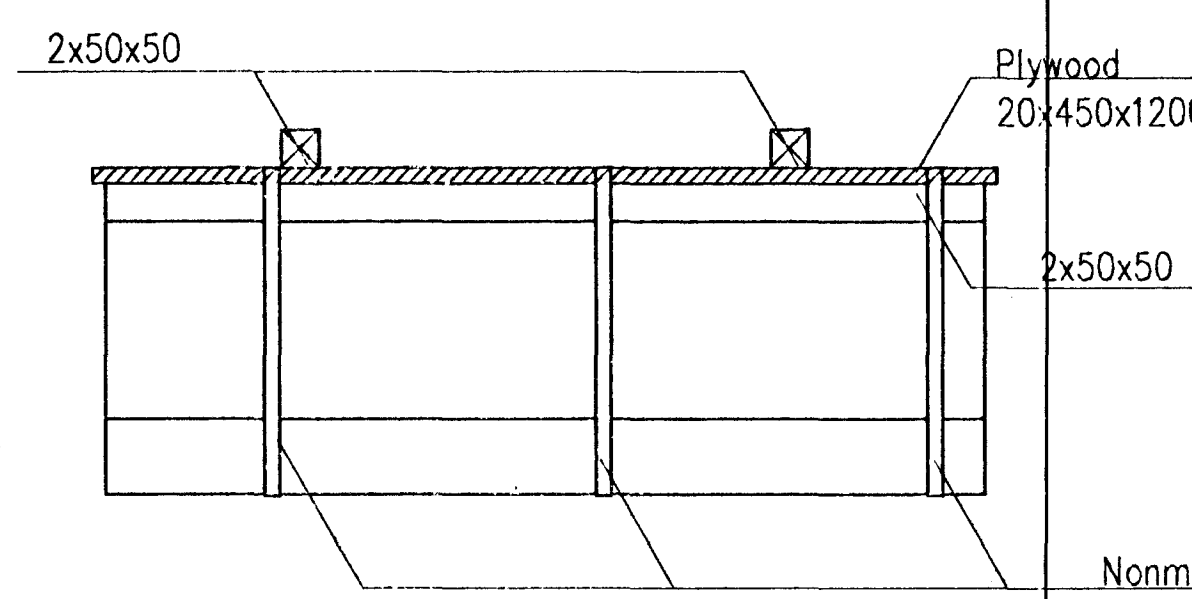
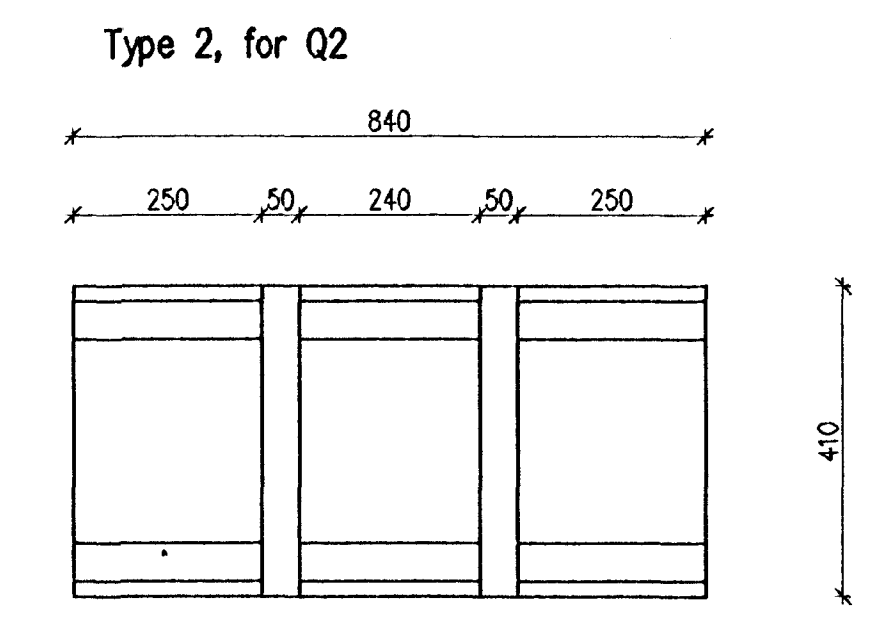
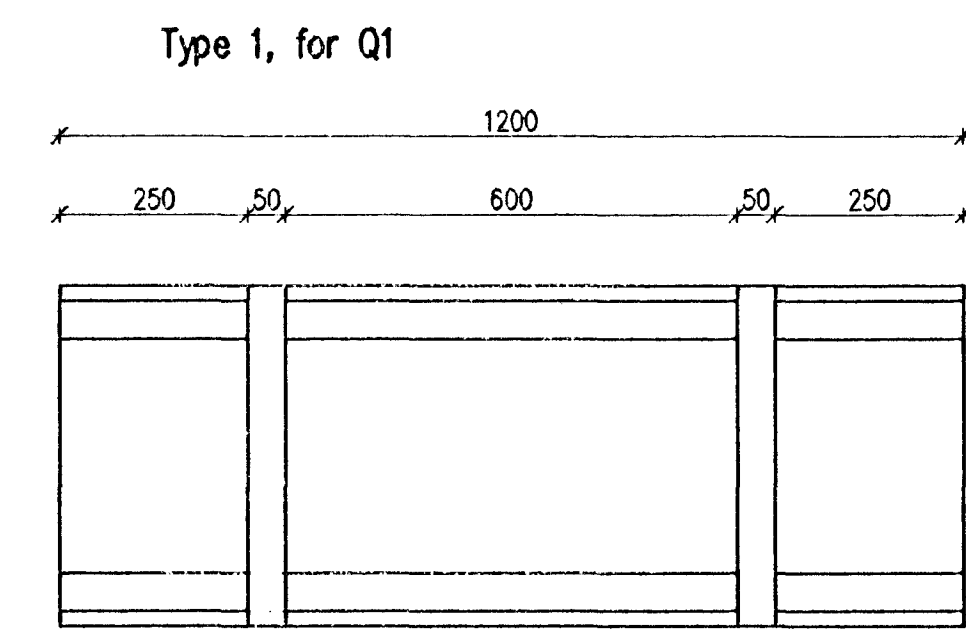
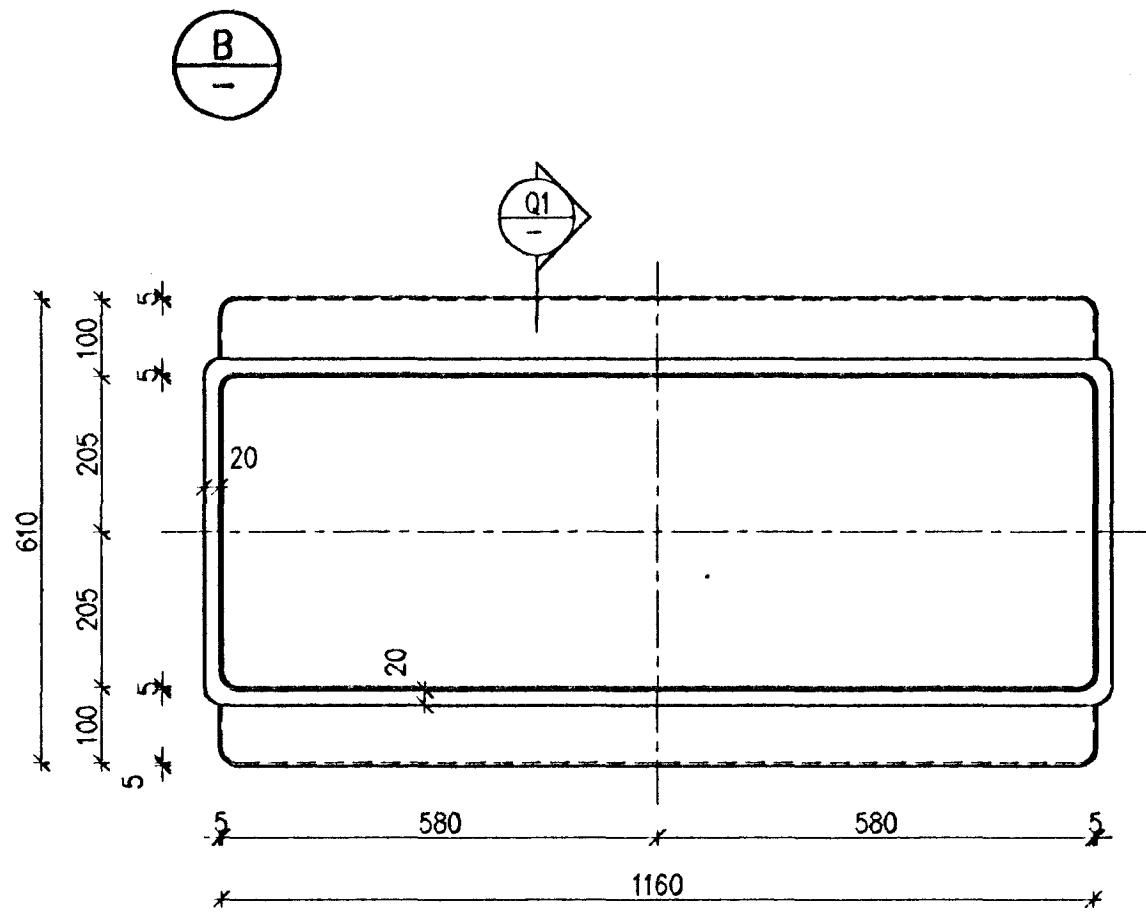
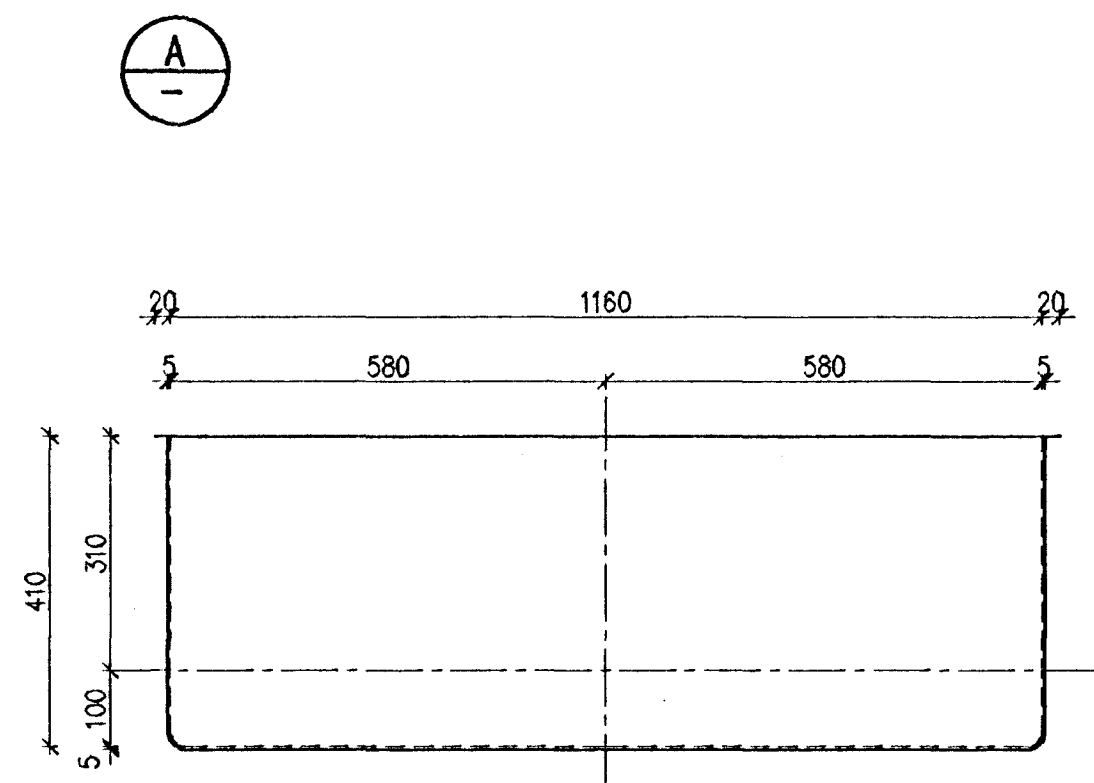
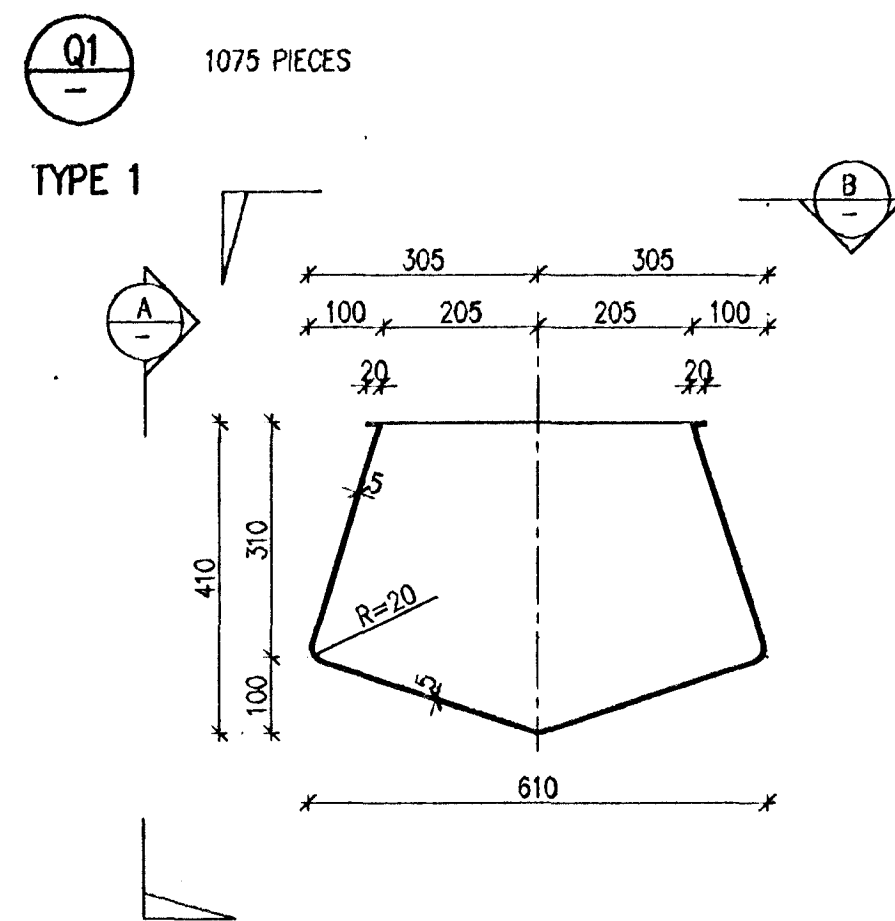
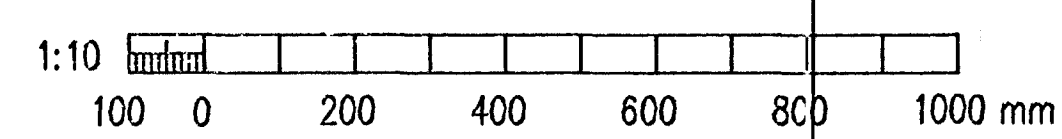


# TIMBER COVERS FOR INSULATION TUBS



**LEGEND:**  
 Insulation tubs (minimum thickness of 5 mm)  
 Consisting of 3 mats of fiberglass reinforced polyester. To be waterproof and to withstand rough handling.  
 Electric insulation of  $\geq 10^{12}$  ohm/cm<sup>2</sup>



HAFVAFÖRÐUR	29/196
BYGGINGAFULLTRÖNN	BSJ
AFGREITT	

<b>VST</b> VST CONSULTING ENGINEERS LTD. Armula 4 108 Reykjavik Iceland Tel: +354 569 5000 Fax: +354 569 5010		95.120 - 12.141															
<b>ICELANDIC ALUMINIUM COMPANY LTD.</b>	<table border="1"> <tr><td>DRAWN</td><td>95.10.28</td><td>KGS</td></tr> <tr><td>APPROVED</td><td>95.10.28</td><td>KGS</td></tr> <tr><td>PROCESS</td><td>95.10.28</td><td>NI</td></tr> <tr><td>PROJECT</td><td>95.10.28</td><td>NI</td></tr> <tr><td>SCALE</td><td>1:10</td><td>FORMAT AT</td></tr> </table>	DRAWN	95.10.28	KGS	APPROVED	95.10.28	KGS	PROCESS	95.10.28	NI	PROJECT	95.10.28	NI	SCALE	1:10	FORMAT AT	POTROOM NO. 3 CONCRETE WORK INSULATION TUBS, DETAILS FORMWORK
DRAWN	95.10.28	KGS															
APPROVED	95.10.28	KGS															
PROCESS	95.10.28	NI															
PROJECT	95.10.28	NI															
SCALE	1:10	FORMAT AT															
<b>ALUSUISSE ALESA</b>	ALUSUISSE ENGINEERING LTD. ZURICH SWITZERLAND	79000-32341															
<b>ISAL</b>	ICELANDIC ALUMINIUM CO. LTD	186.641															

REV. NO.	DATE	REVISION	BY	APP.	REV. NO.	DATE	REVISION	BY	APP.	NOTES	REFERENCE DRAWING	DRAWING NUMBER
1	1996.01.02	APPROVED FOR CONSTRUCTION	lp	N.I.								