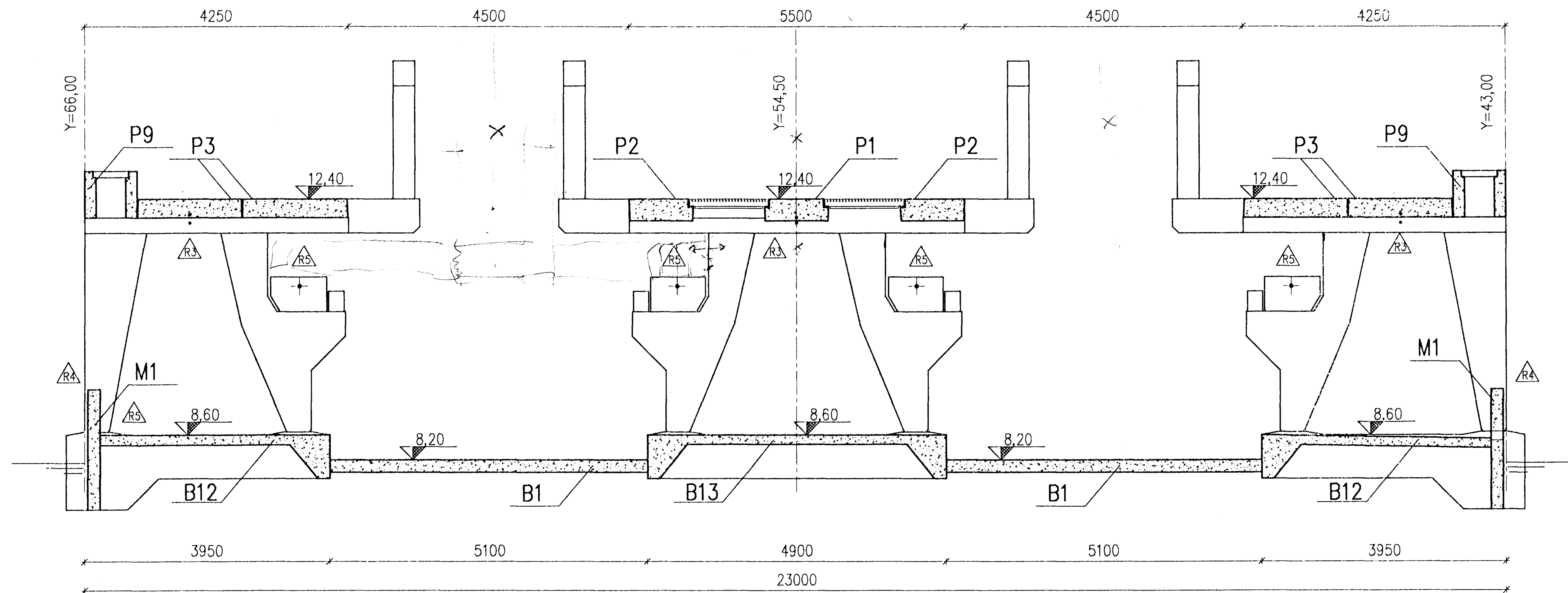
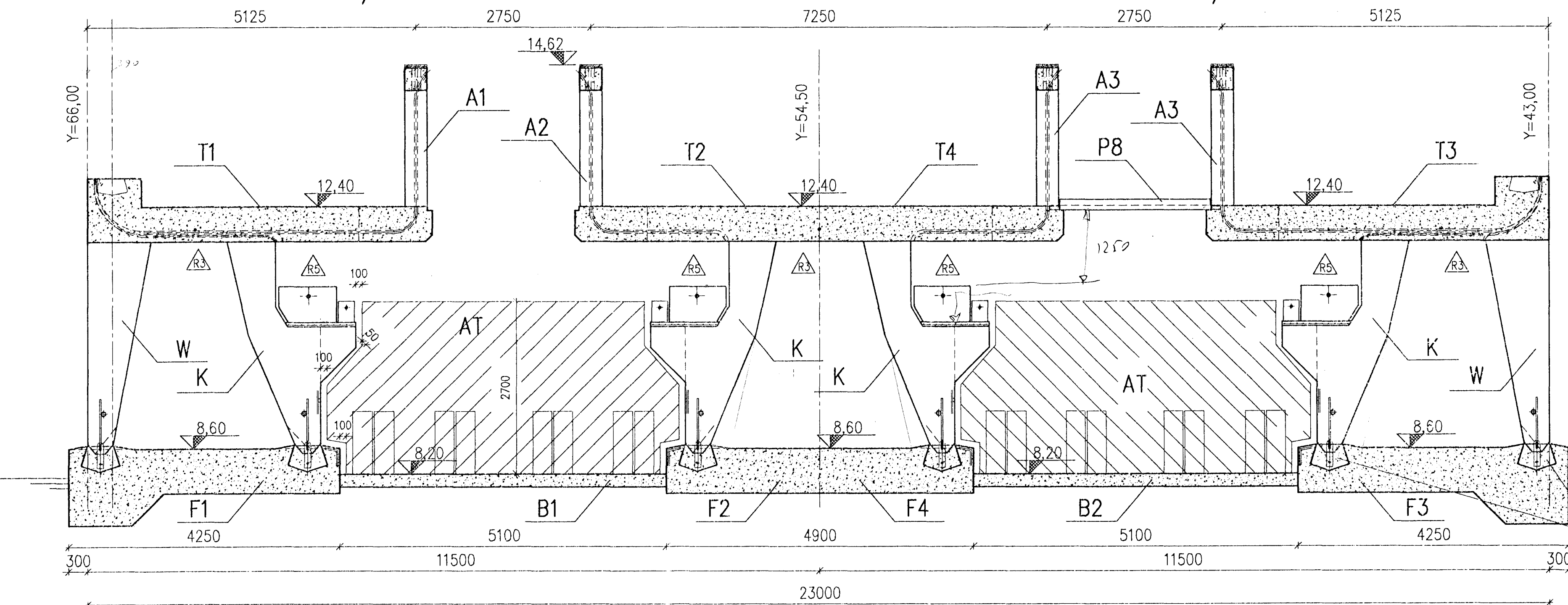


SECTION  
BETWEEN TABLES

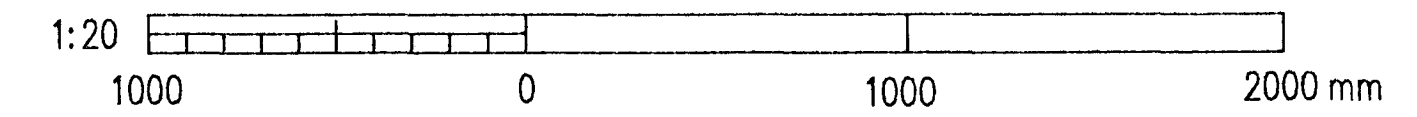
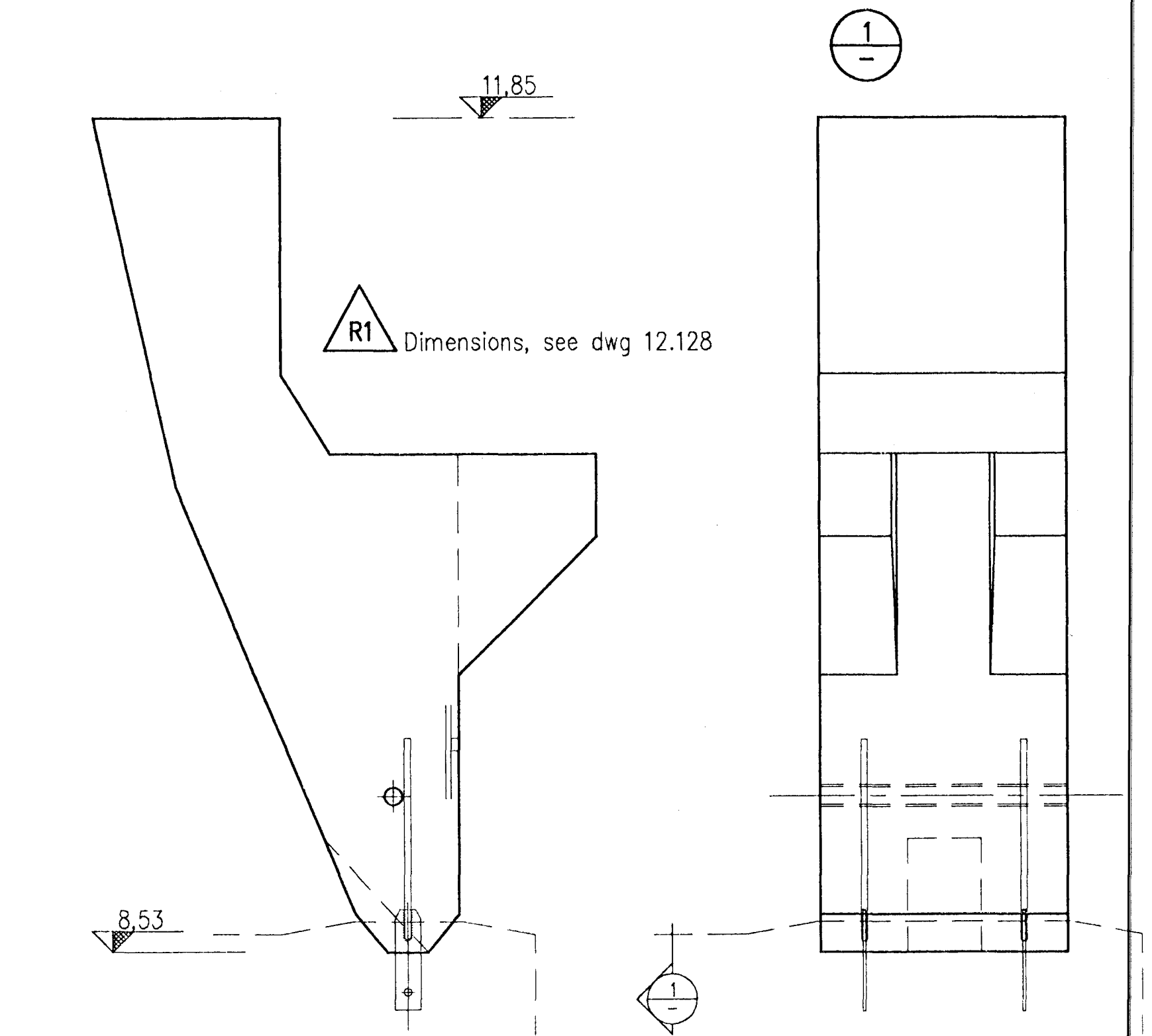


SECTION  
THROUGH TABLES T1/T2



SECTION  
THROUGH TABLES T3/T4

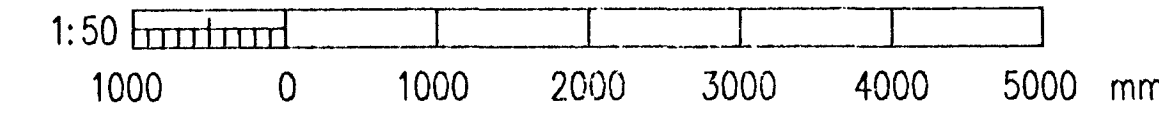
NEW CATHODE COLUMN



Installation of columns: R2  
Reinforcement, see dwg. 12.161  
Concrete: C40/50-19-S2

AT: THIS AREA MUST BE FREE FOR  
TRANSPORT OF CATHODE SHELLS.  
(ALSO FOR SECTIONS BETWEEN  
TABLES, SEE SPECIFICATION)

HAERARDEIÐUR  
BYGGINGAFLAÐIRNI  
AFREIÐT  
28/3/96  
B.C.



REV. NO.	DATE	REVISION	BY	APP.	REV. NO.	DATE	REVISION	BY	APP.	NOTES	REFERENCE DRAWING	DRAWING NUMBER
5	1996.03.25	MINOR REVISION	NI	N.I.								
4	1996.02.12	HEIGHT OF WALL M1	KGS	N.I.								
3	1996.01.25	EMBEDDED PIPES, WALL M1	KGS	N.I.								
2	1996.01.10	INSTALLATION OF COLUMNS	KGS	N.I.								
1	1996.01.02	APPROVED FOR CONSTRUCTION	KGS	N.I.								

This drawing is our property and given for personal use only. It may not be copied or made available to others without our permission. The receiver is responsible for any misuse.

VST CONSULTING ENGINEERS Ltd. Armula 4 108 Reykjavik Iceland Tel: +354 569 5000 Fax: +354 569 5010		95.120 - 12.142	
ICELANDIC ALUMINIUM COMPANY LTD.		DRAWN 95.11.28 KGS APPROVED 95.11.28 KGS PROCESS 95.11.28 NI PROJECT 95.11.28 NI SCALE 1:50	POTROOM NO. 3 CONCRETE WORK TRANSVERSE SECTIONS
ALUSUISSE ALESA ISAL		ALESA ENGINEERING LTD. ZURICH SWITZERLAND	79000-32342
ICELANDIC ALUMINIUM CO. LTD.		186.642	REVISION 5