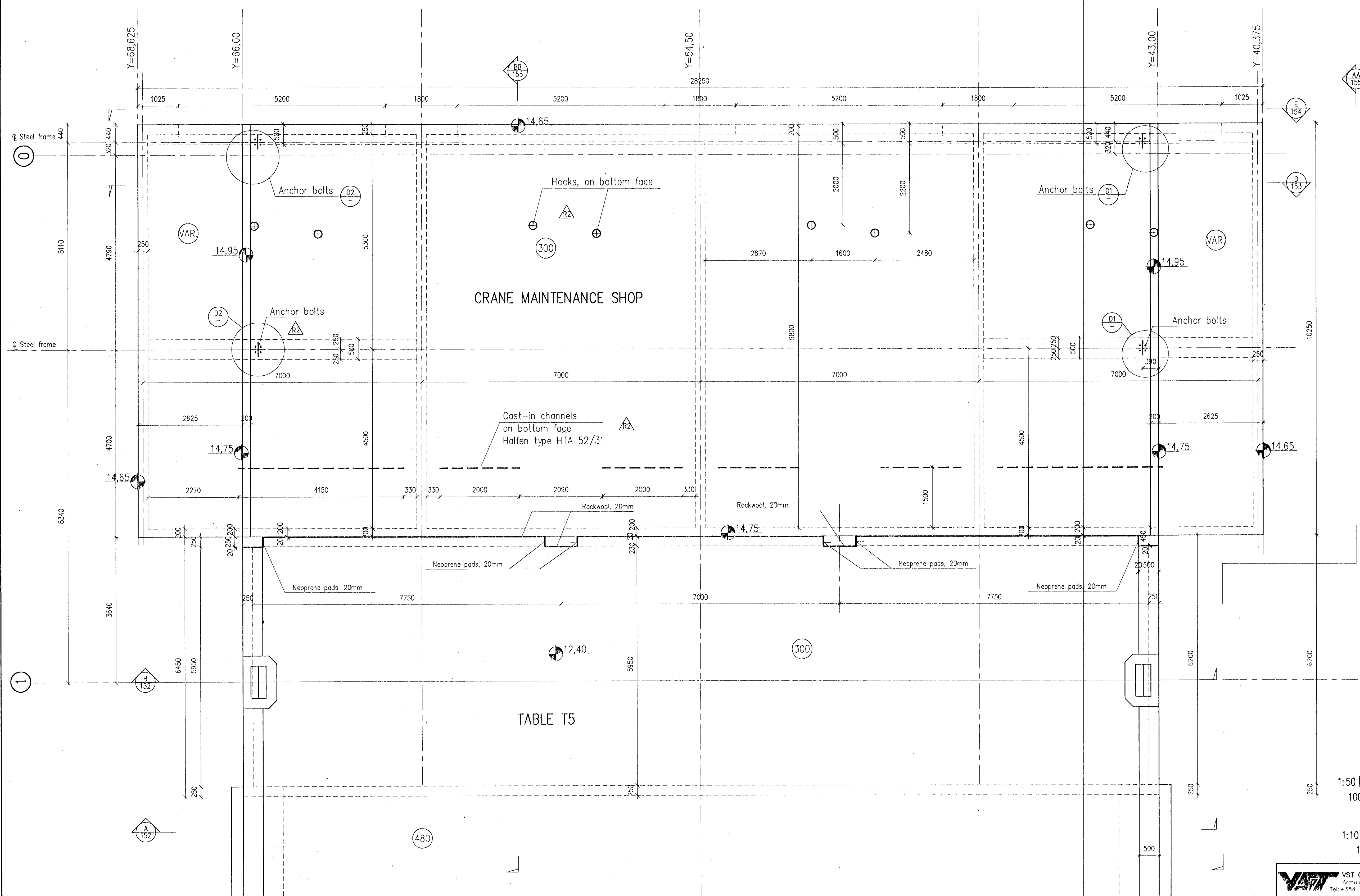
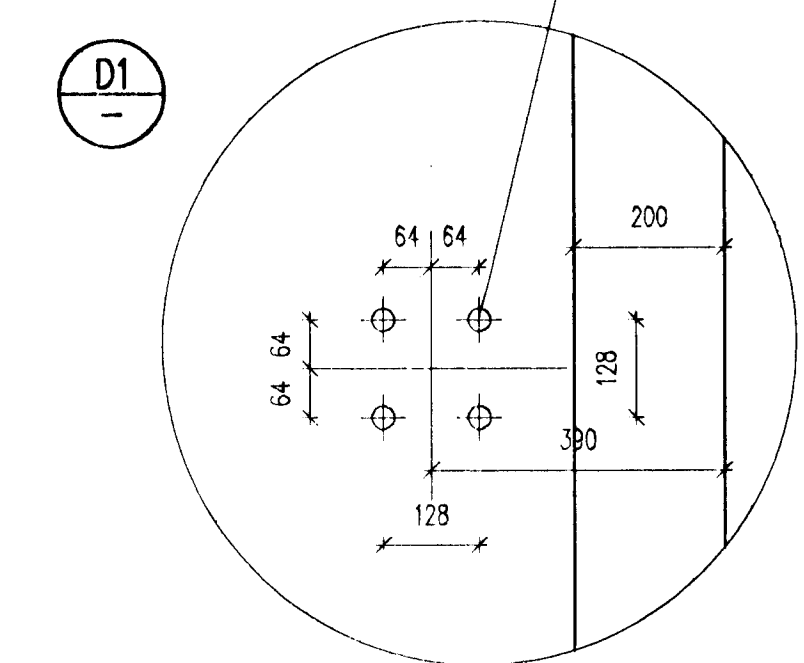


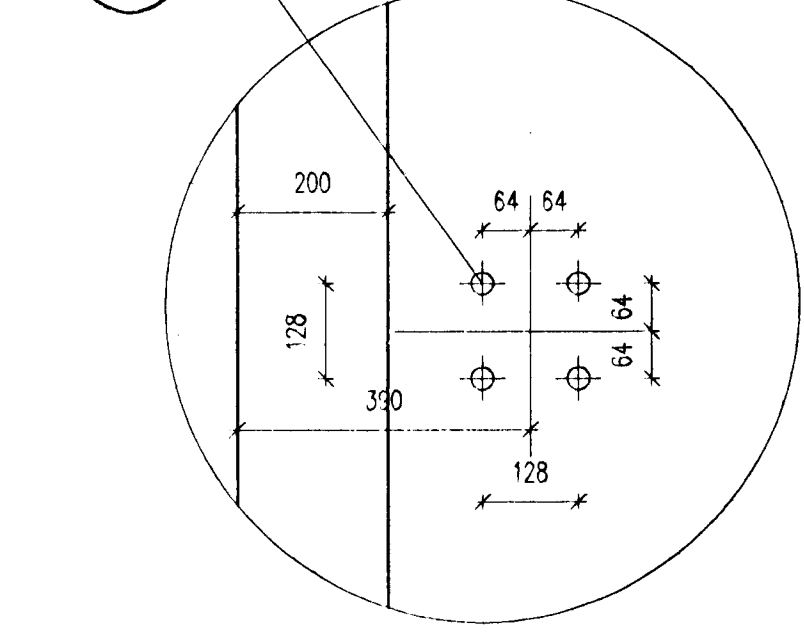
SCALE 1:10



4x30mm Anchor bolts furnished by others

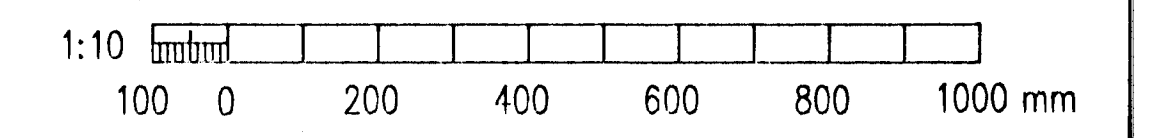
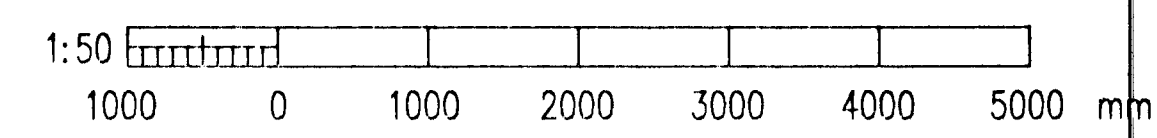


4x30mm Anchor bolts furnished by others



CONCRETE: C30/37-38-S2

HANNAEVAERBUR
 BYGGINGARULLTRÖGVI
 AFGREITT
 2/5 '96
 RSD



REV. NO.	DATE	REVISION	BY	APP.	REV. NO.	DATE	REVISION	BY	APP.	NOTES	REFERENCE DRAWING	DRAWING NUMBER
2	1996.04.23	ANCHOR BOLTS, HOOKS, CAST-IN CHANNELS.	FGS	N.I.								
1	1996.03.25	APPROVED FOR CONSTRUCTION	FGS	N.I.								

VST CONSULTING ENGINEERS Ltd. Armula 4 108 Reykjavik Iceland Tel: +354 569 5000 Fax: +354 569 5010	DRAWN 96.03.14 FGS APPROVED 96.03.14 KGS PROCESS 96.03.14 NI PROJECT 96.03.14 NI SCALE 1:10,50 PERMIT AT	95.120 - 12.156 RECTIFIER NO. 3 CONCRETE WORK FLOOR +14,7 PLAN FORMWORK
	ALUSUISSE ENGINEERING LTD. ZÜRICH SWITZERLAND	79000-32356
ICELANDIC ALUMINIUM CO. LTD	186.656	