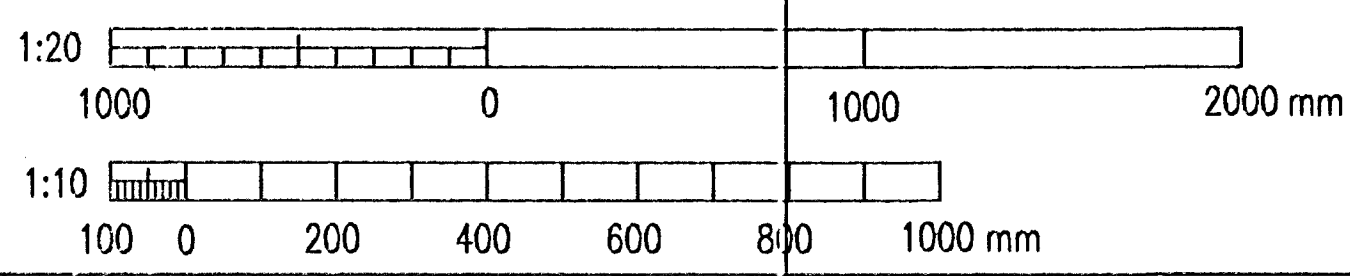
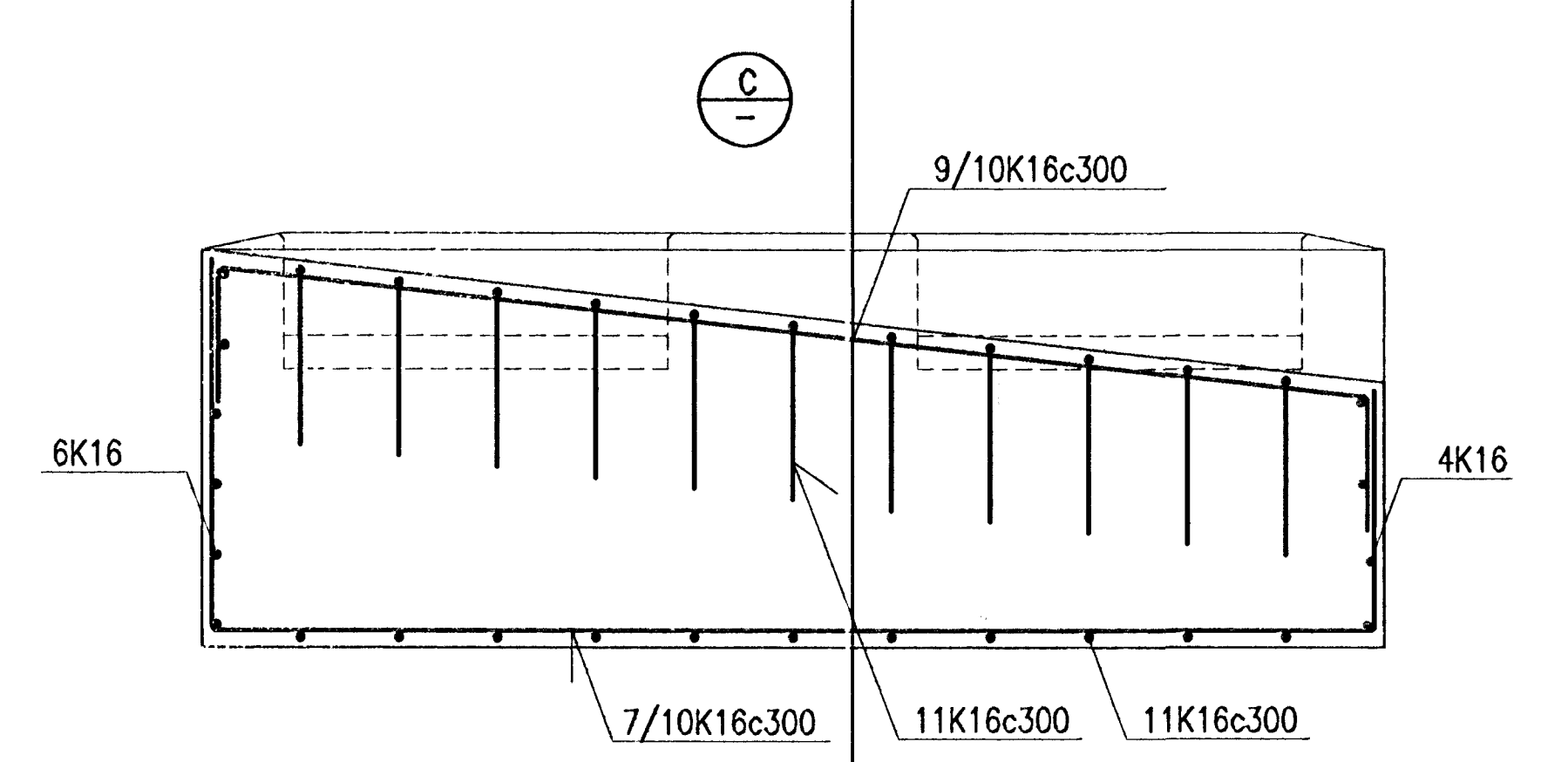
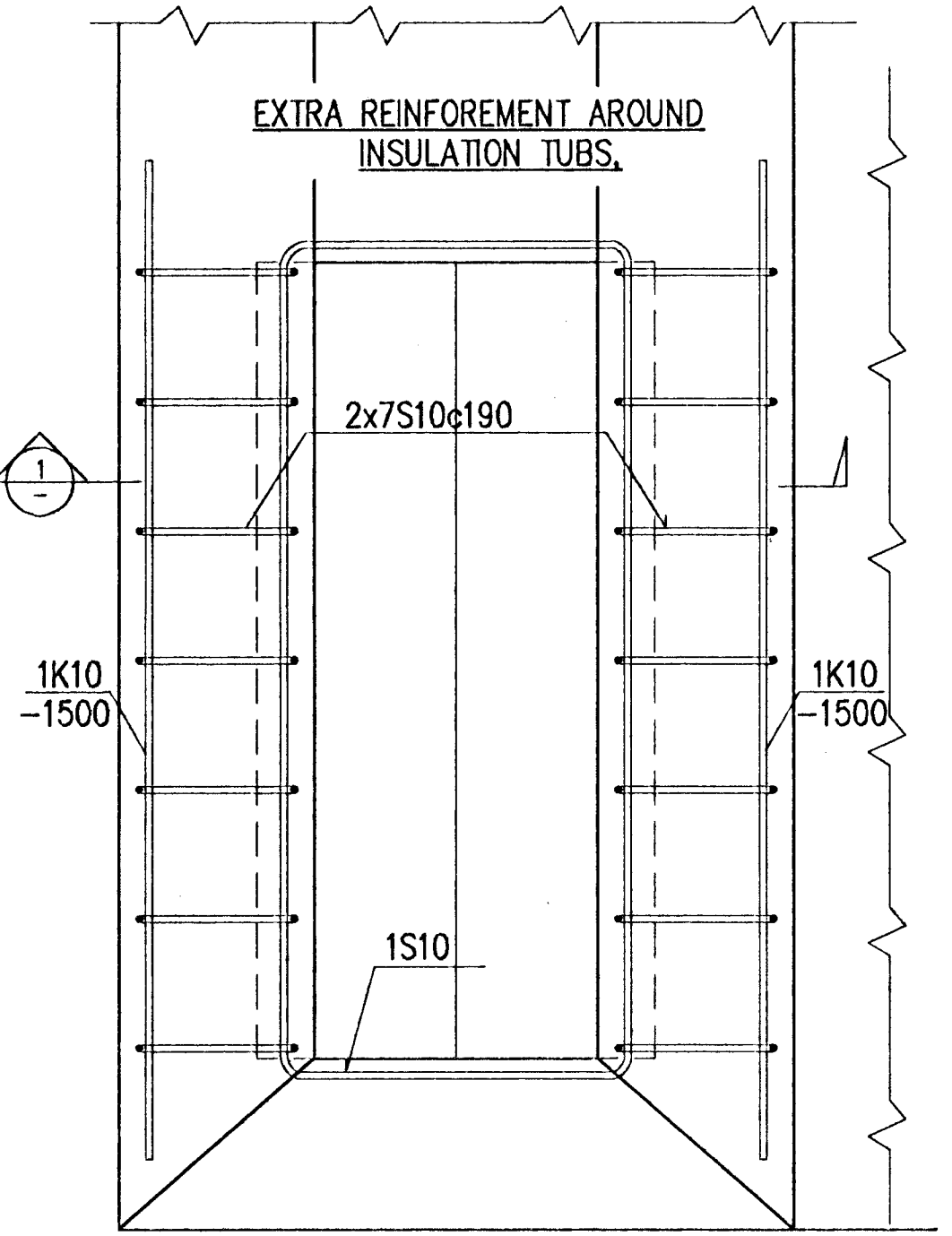
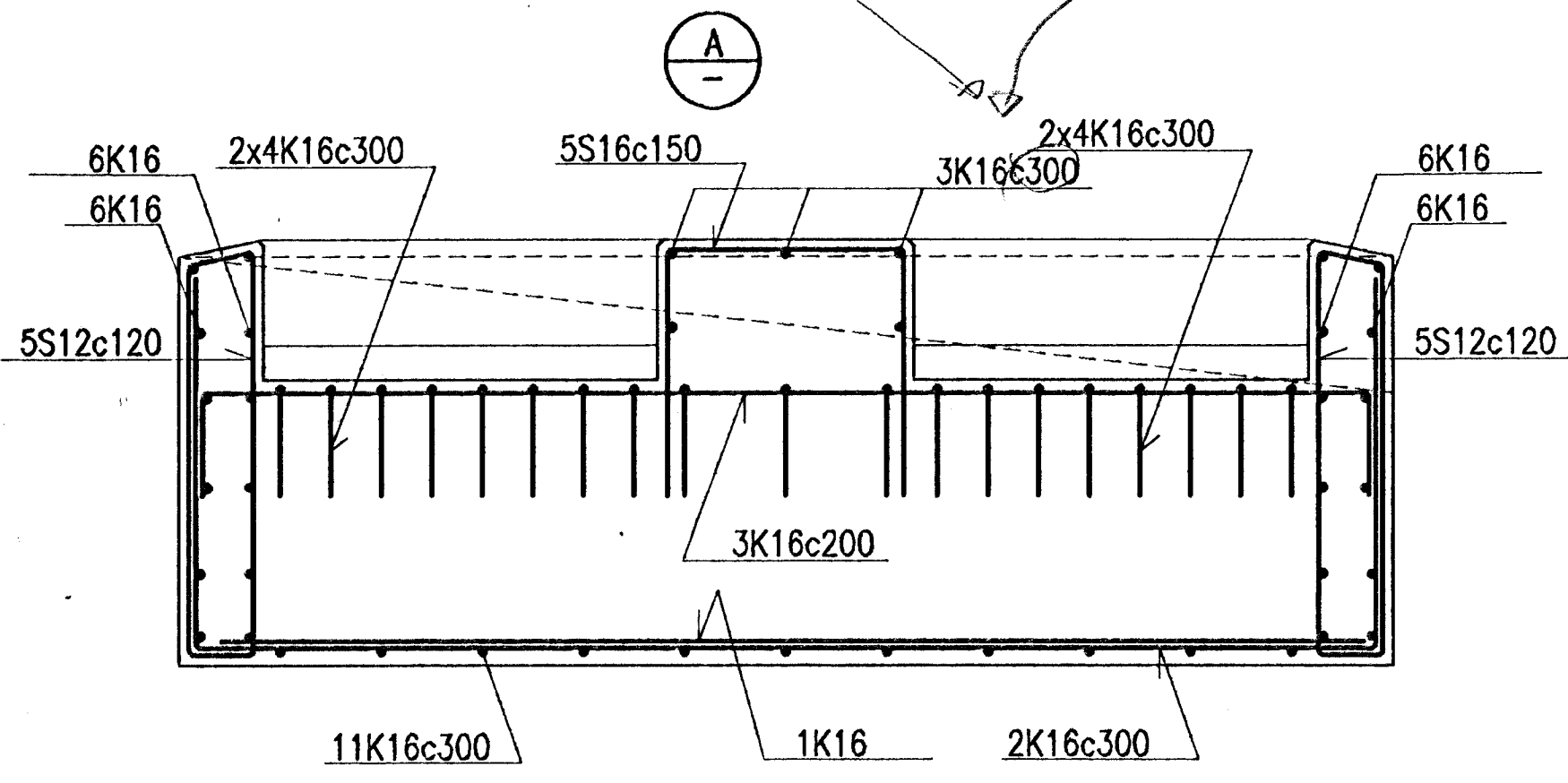
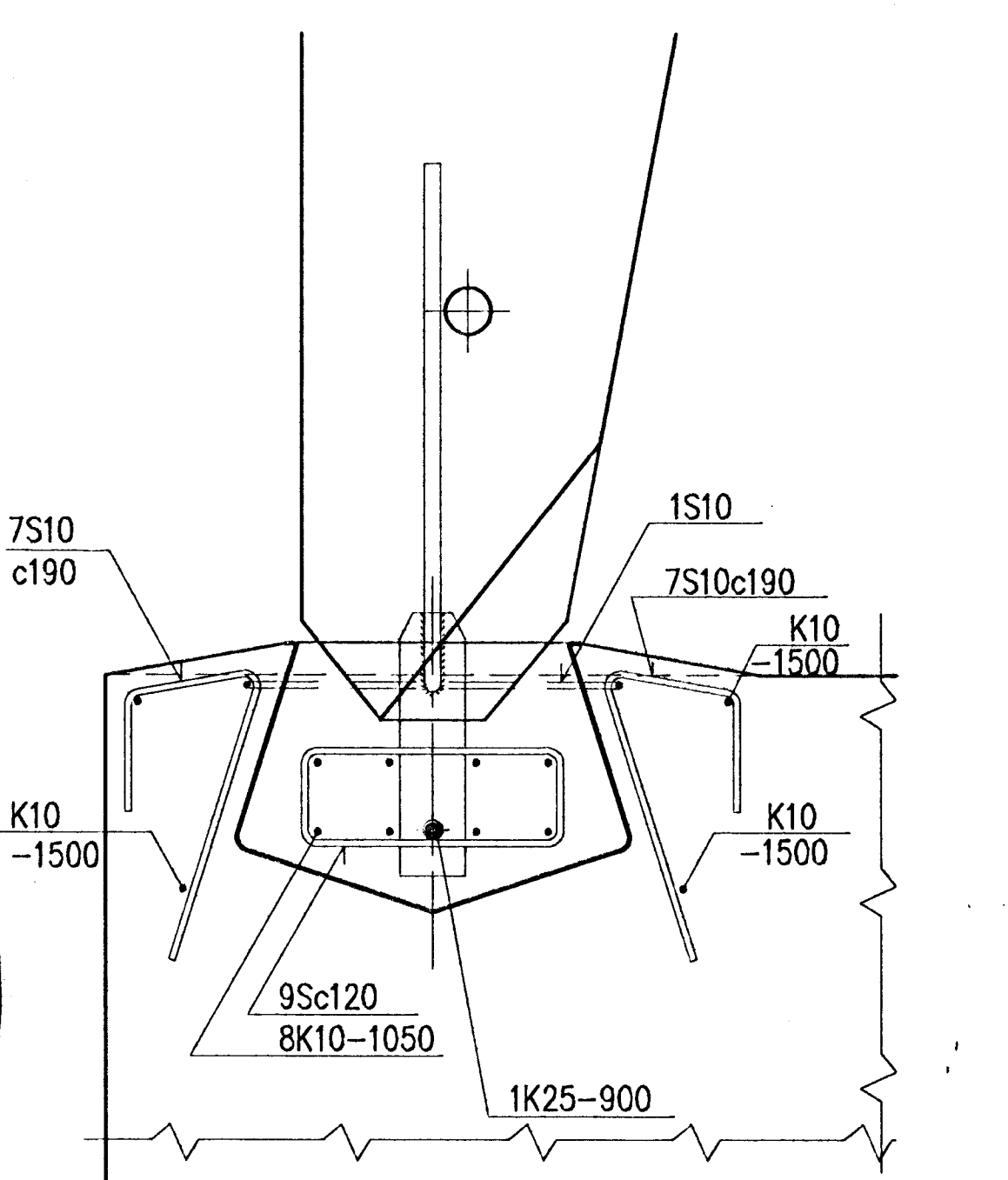


D1 1:10

1 1:10



HAFINNGJÖRÐUR  
BYGGINGAFULLTRUÐUR  
AFREITT  
20/11/96  
AFREITT



REV. NO.	DATE	REVISION	BY	APP.	REV. NO.	DATE	REVISION	BY	APP.	NOTES	REFERENCE DRAWING	DRAWING NUMBER
1	1996.01.02	APPROVED FOR CONSTRUCTION	Yap	N.L.								

<b>VST</b> VST CONSULTING ENGINEERS LTD. Armula 4 108 Reykjavik Iceland Tel: +354 569 5000 Fax: +354 569 5010		95.120 - 12.163	
<b>ICELANDIC ALUMINIUM COMPANY LTD.</b>		POTROOM NO. 3 CONCRETE WORK FOUNDATIONS F7 & F8 REINFORCEMENT	
ALUSUISSE ALESA ALUSUISSE ENGINEERING LTD. ZURICH SWITZERLAND		79000-32363	
ISAL ICELANDIC ALUMINIUM CO. LTD		186.663	