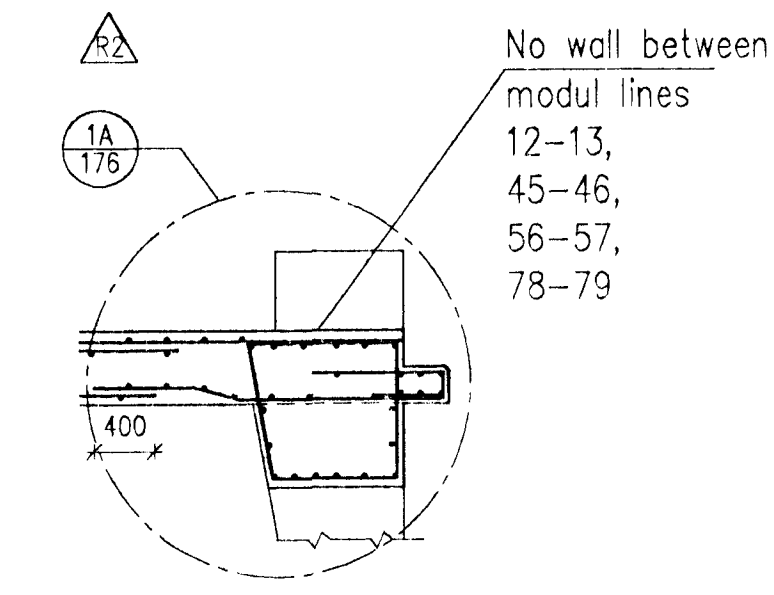
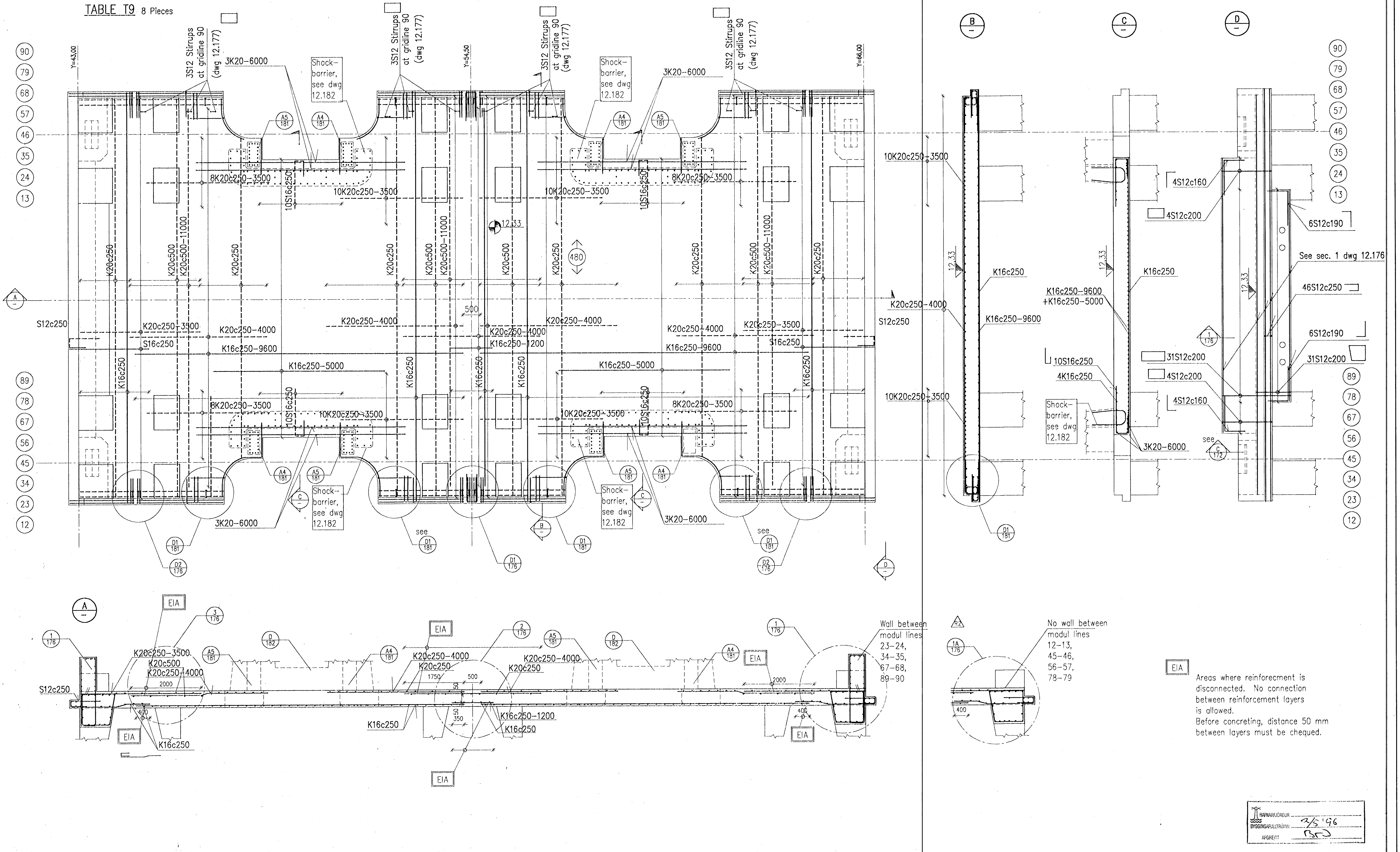
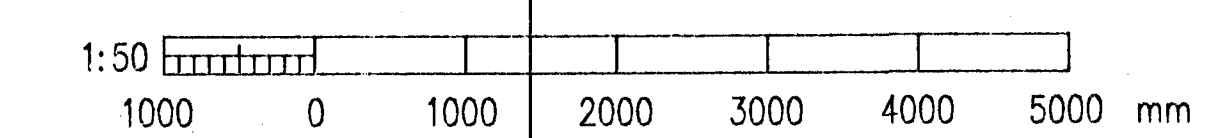


TABLE T9 8 Pieces



EIA Areas where reinforcement is disconnected. No connection between reinforcement layers is allowed. Before concreting, distance 50 mm between layers must be checked.



VST CONSULTING ENGINEERS Ltd. Armula 4 108 Reykjavik Iceland Tel: +354 569 5000 Fax: +354 569 5010		95.120 - 12.175	
ICELANDIC ALUMINIUM COMPANY LTD.		POTROOM NO. 3 CONCRETE WORK TABLE T9 REINFORCEMENT	
ALUSUISSE ALERA		ALESA ENGINEERING LTD. ZURICH SWITZERLAND	
ICELANDIC ALUMINIUM CO. LTD		79000-32375 186.675	

REV. NO.	DATE	REVISION	BY	APP.	REV. NO.	DATE	REVISION	BY	APP.	NOTES	REFERENCE DRAWING	DRAWING NUMBER
2	1996.04.16	LOCATION OF WALL	FGS	N.I.								
1	1996.01.02	APPROVED FOR CONSTRUCTION	KGS	N.I.								