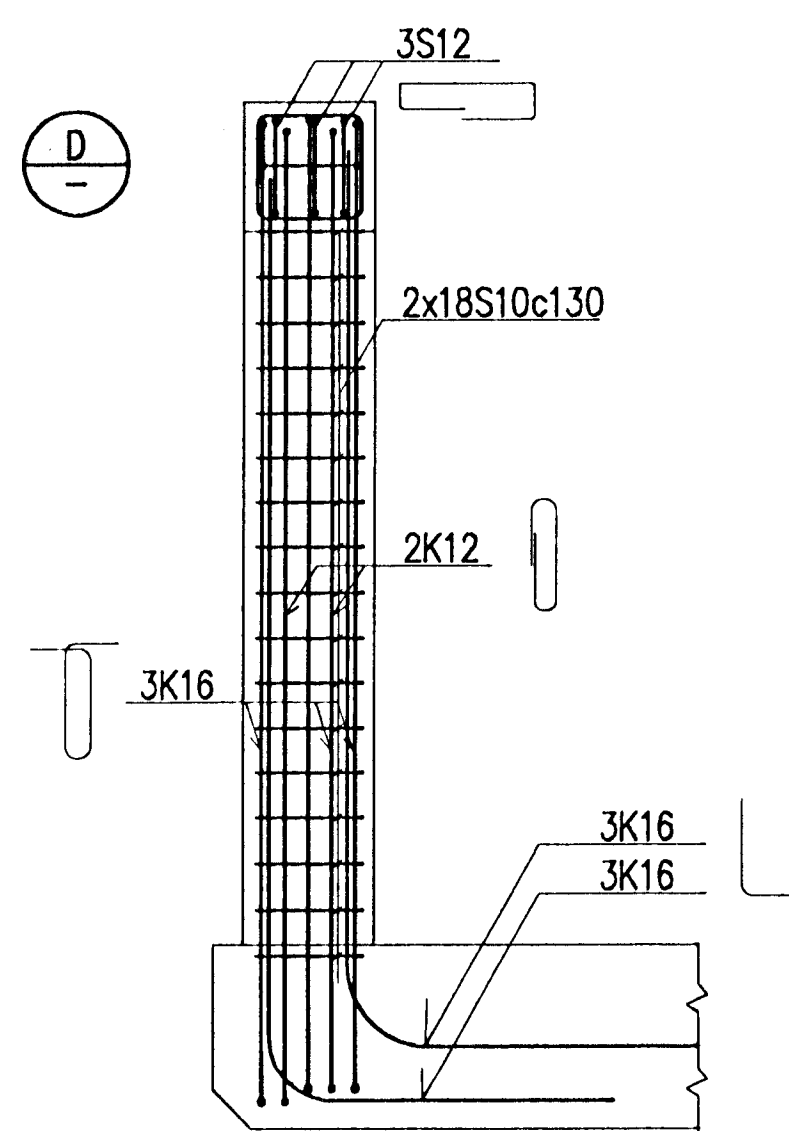
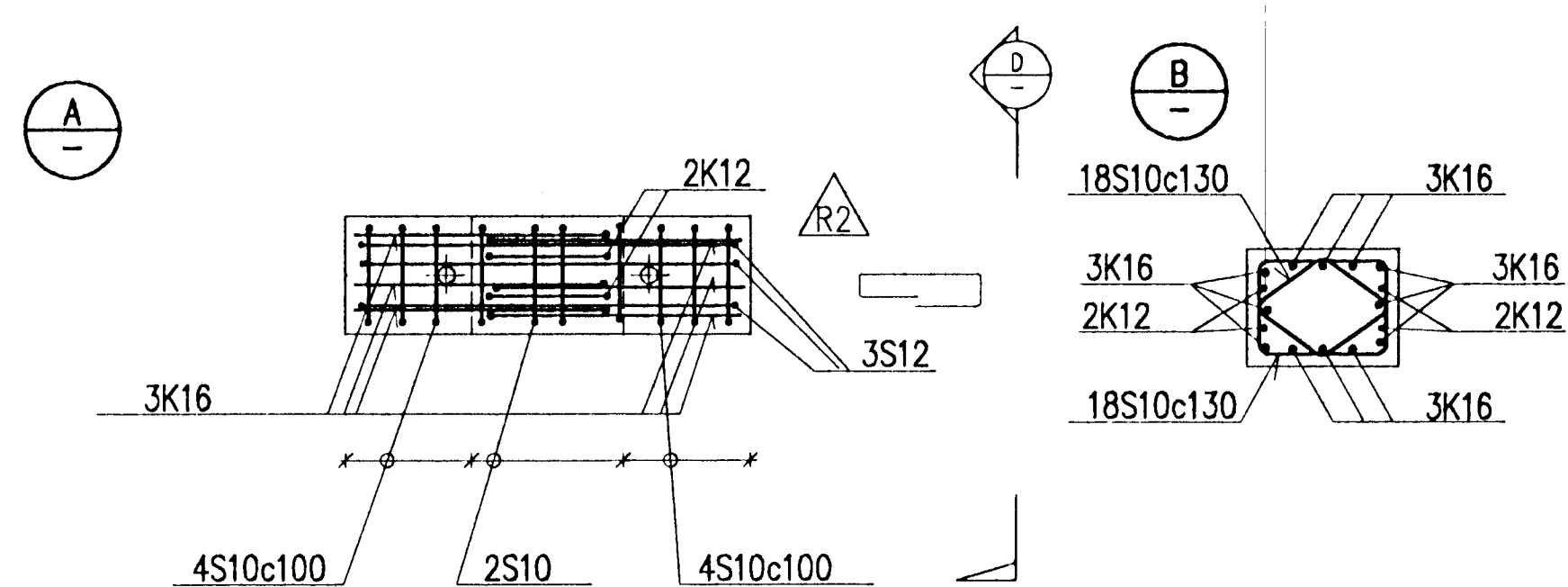
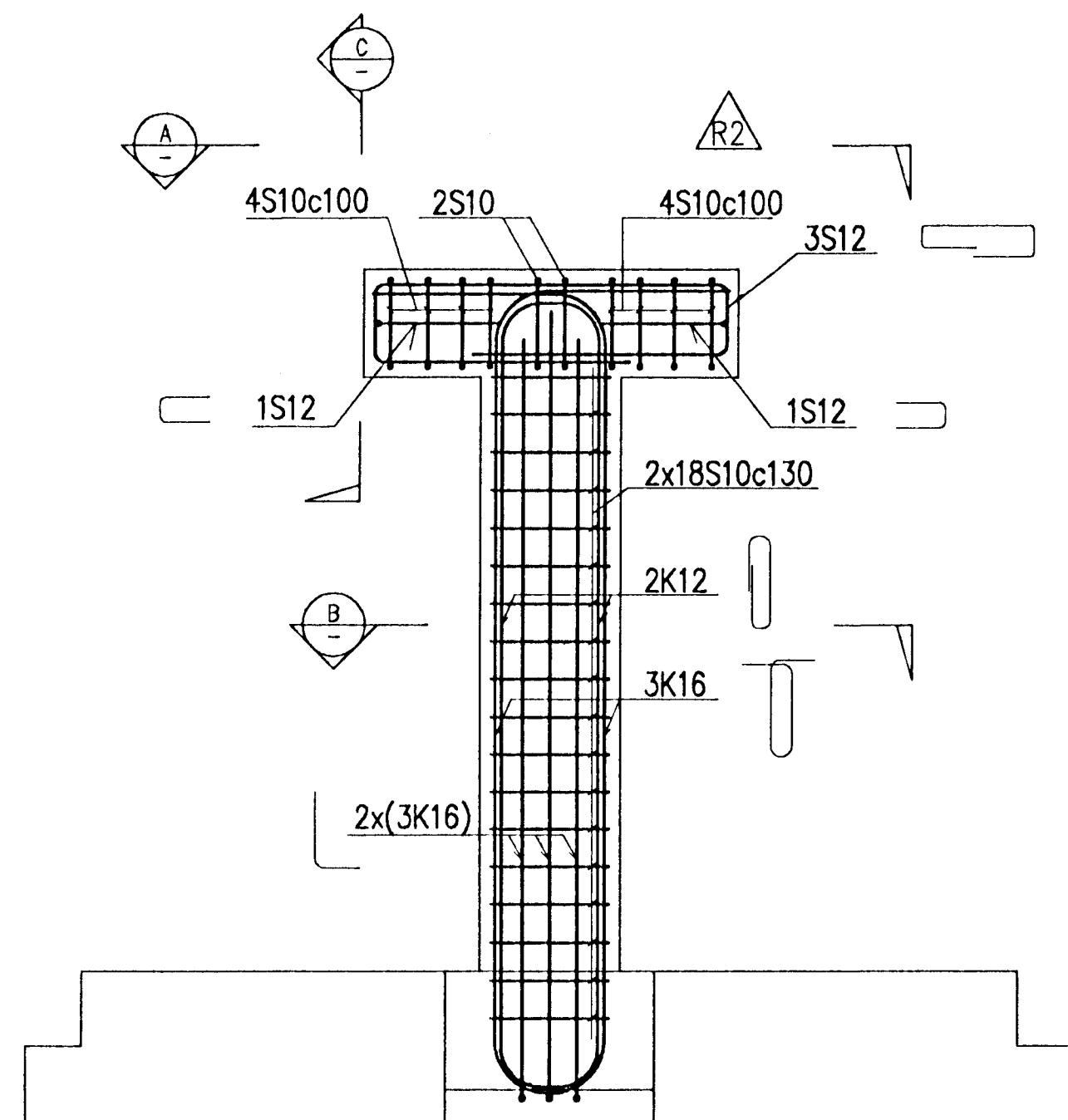
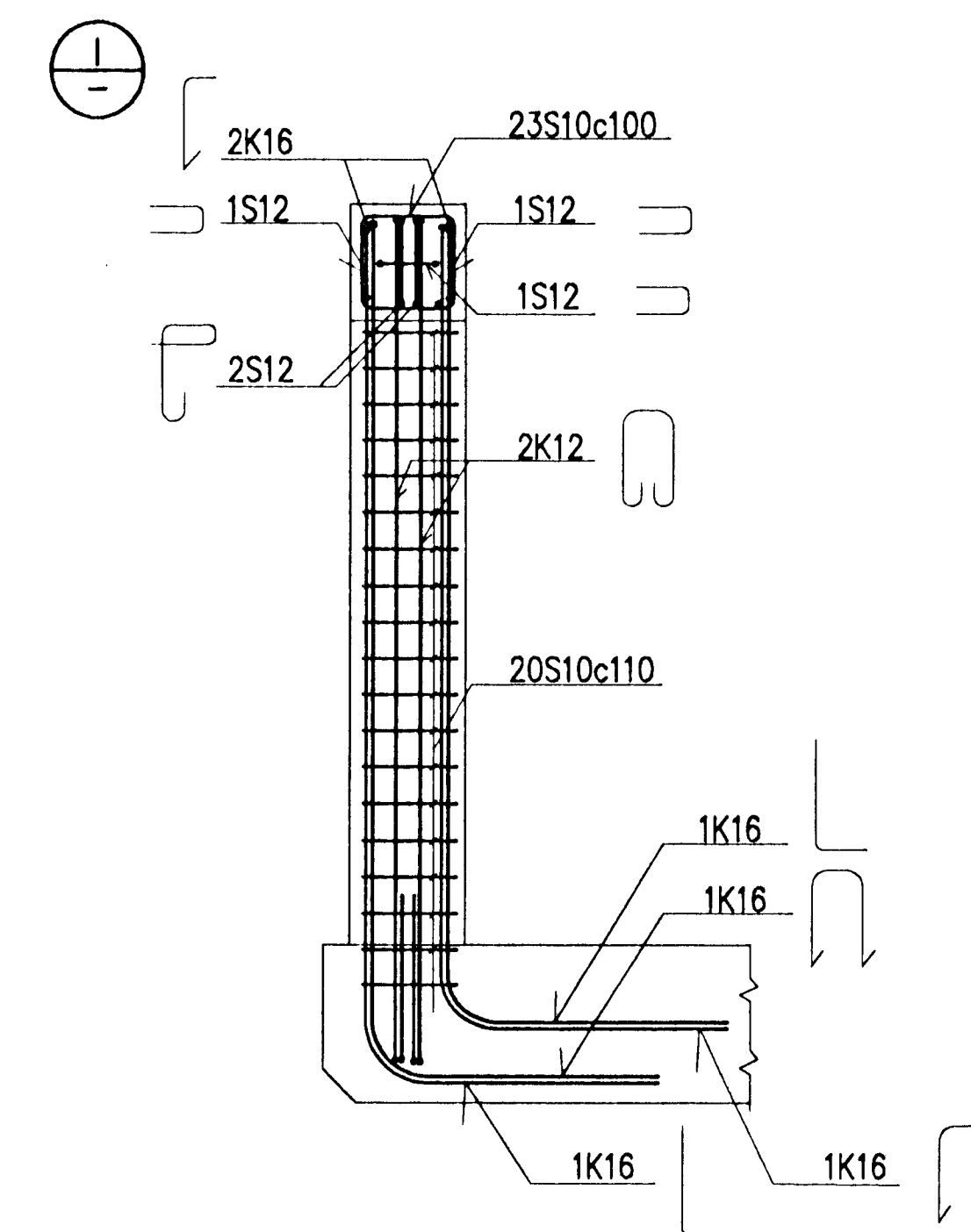
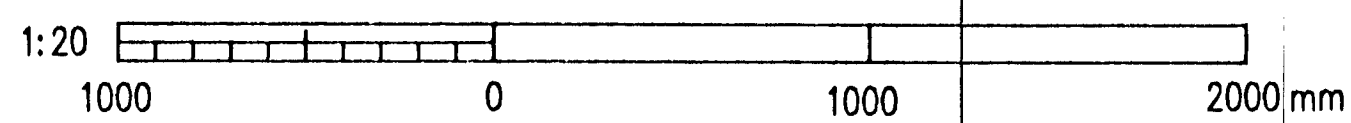
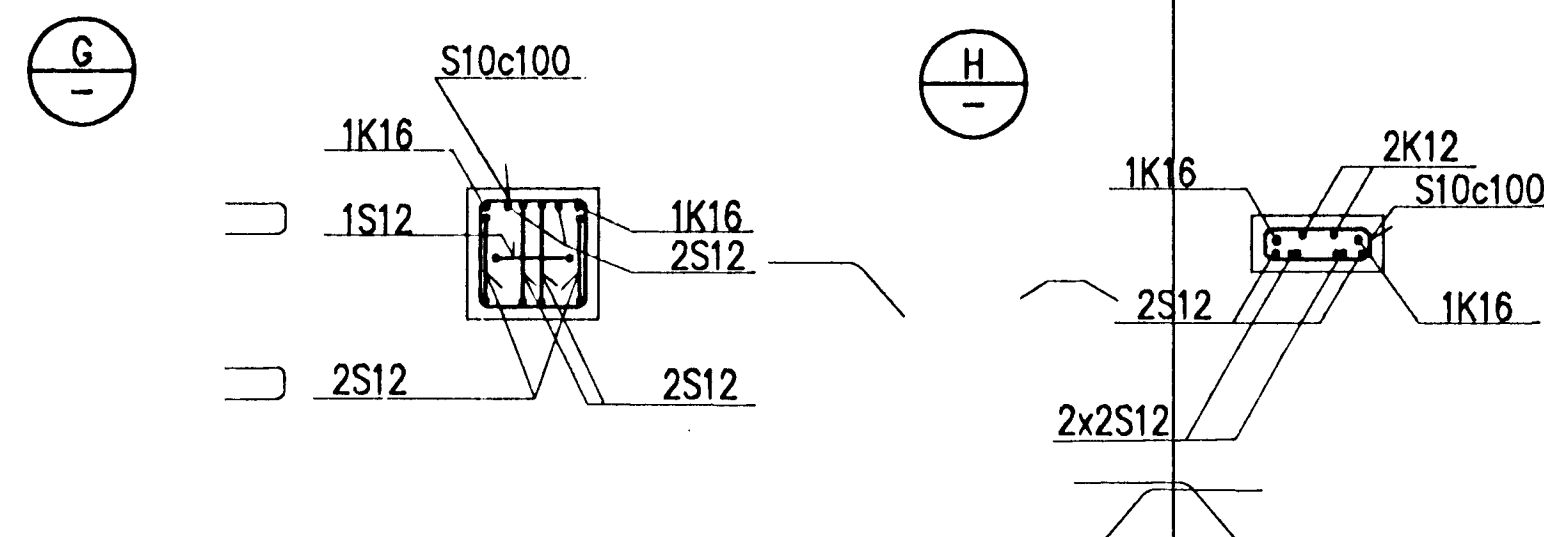
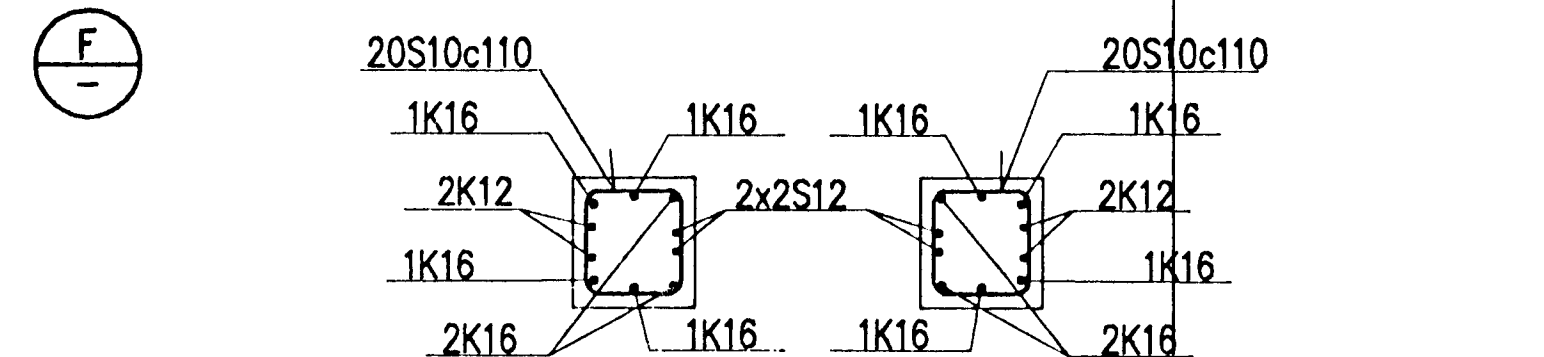
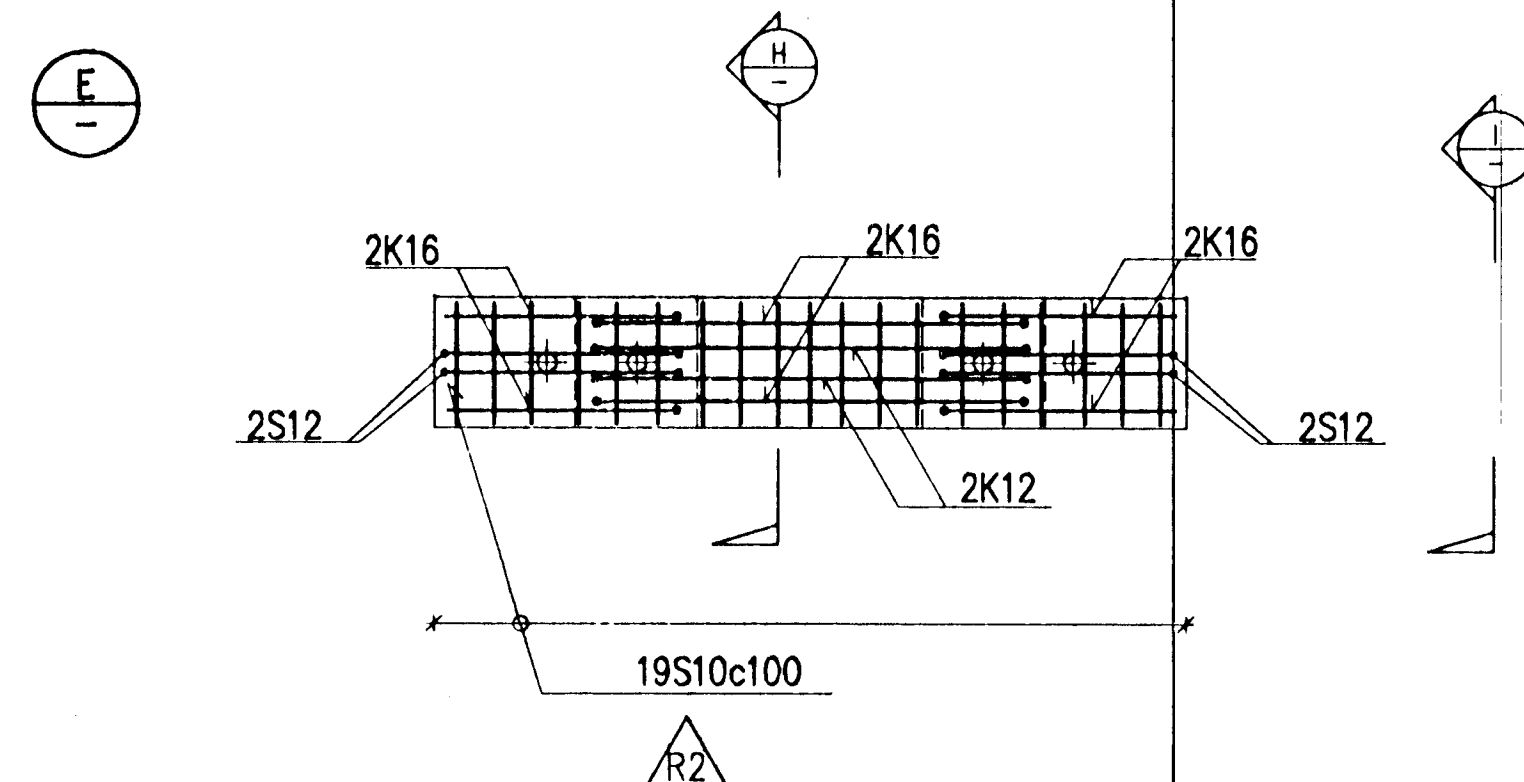
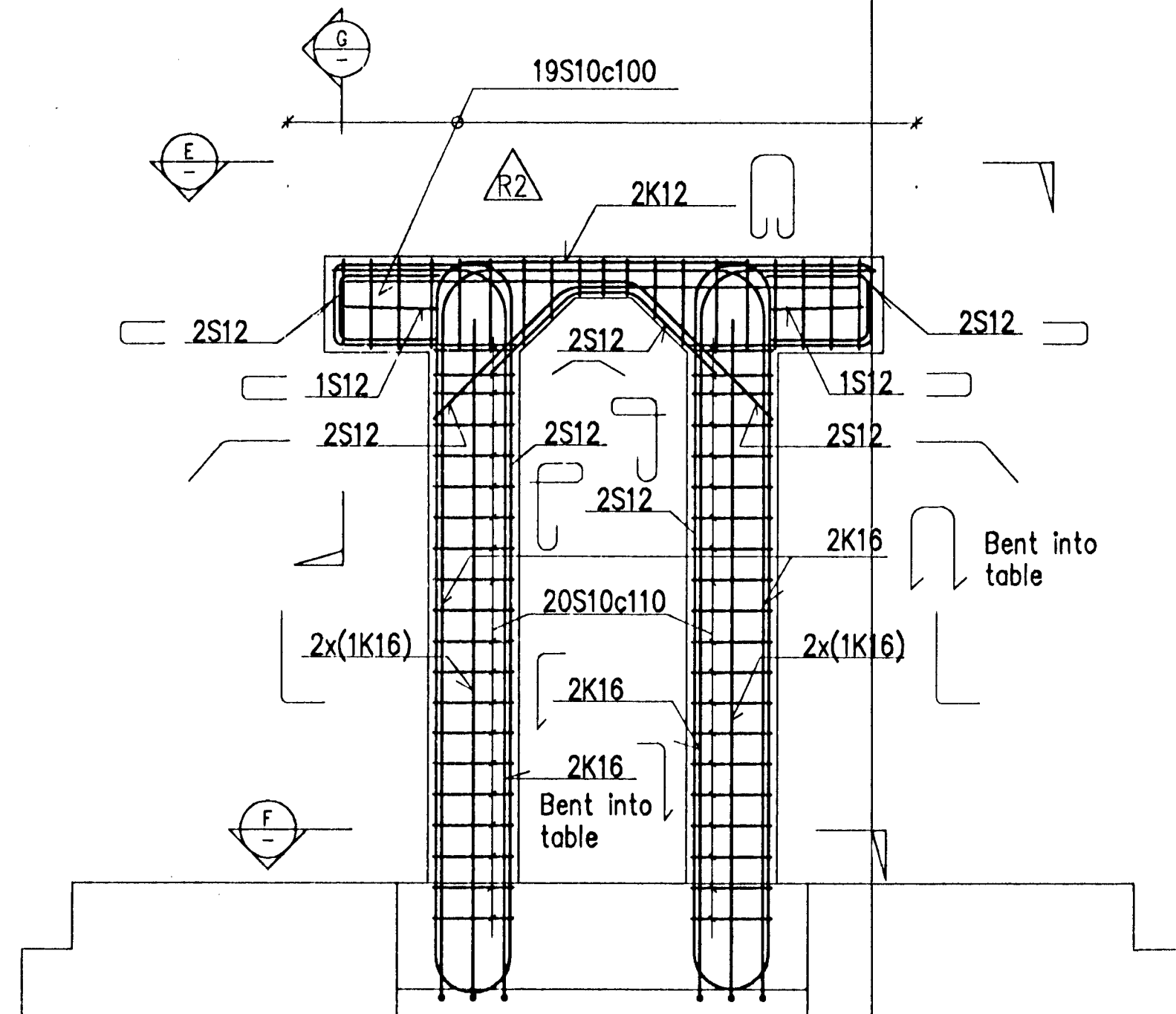


ANODE COLUMNS A1 AND A2 80 + 80 PIECES



ANODE COLUMN A3 128 PIECES



HAHNAEFDÖGUR
BYGGINGARLITRÖGUR
AFGREITT

REV. NO.	DATE	REVISION	BY	APP.	REV. NO.	DATE	REVISION	BY	APP.	NOTES	REFERENCE DRAWING	DRAWING NUMBER
2	1996.03.11	TOP OF ANODE COLUMNS	NI	N.I.								
1	1996.01.02	APPROVED FOR CONSTRUCTION	N.I.									

VST CONSULTING ENGINEERS LTD. Armúla 4 108 Reykjavík Iceland Tel: +354 569 5000 Fax: +354 569 5010		95.120 - 12.180	
ICELANDIC ALUMINIUM COMPANY LTD.		DRAWN 95.10.28 KGS APPROVED 95.10.28 KGS PROCESS 95.10.28 NI PROJECT 95.10.28 NI SCALE 1:20	POTROOM NO. 3 CONCRETE WORK ANODE COLUMNS, A1, A2 & A3 REINFORCEMENT
ALUSUISSE ENGINEERING LTD. ZÜRICH SWITZERLAND		79000-32380	
ICELANDIC ALUMINIUM CO. LTD.		186.680	