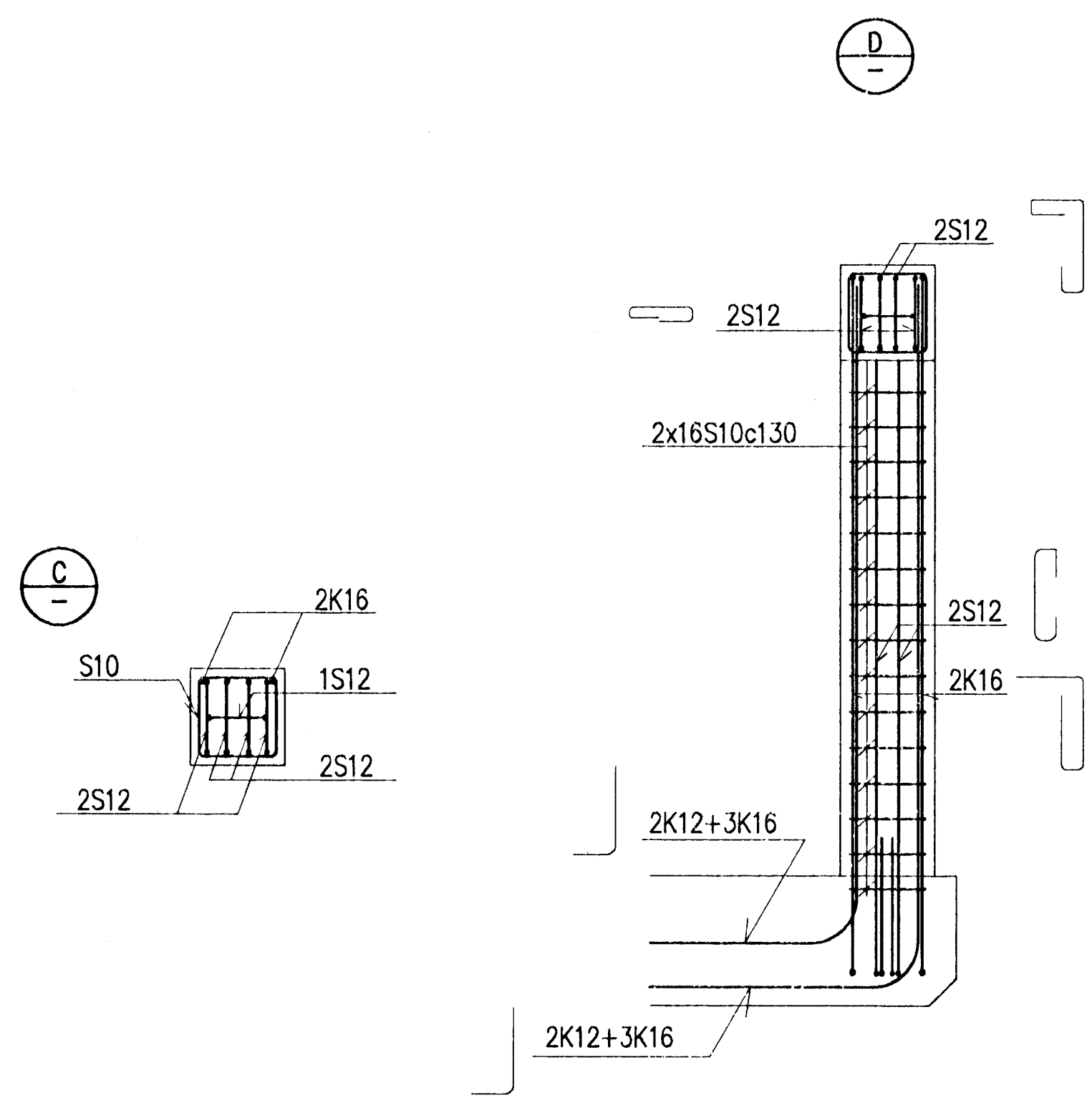
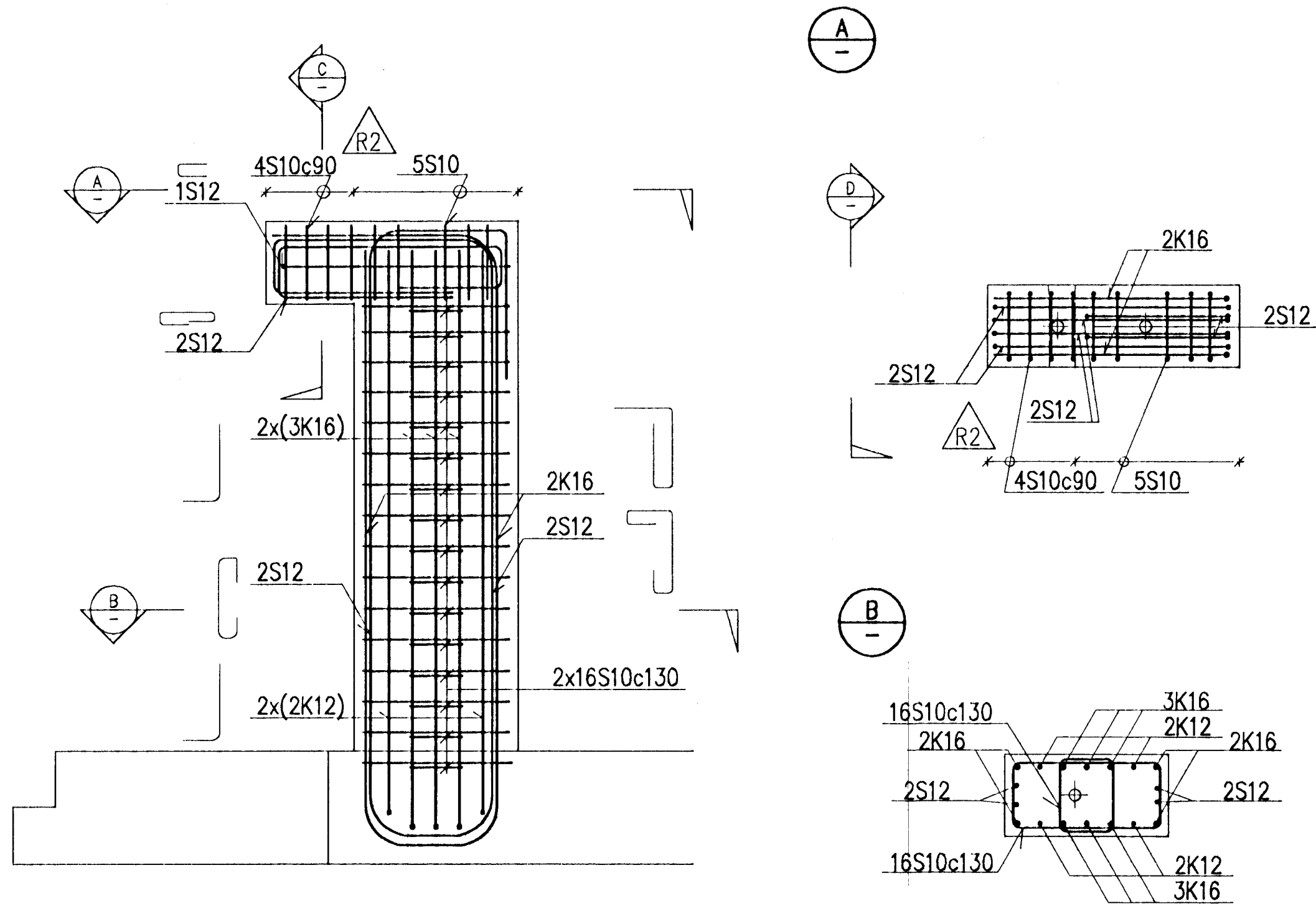
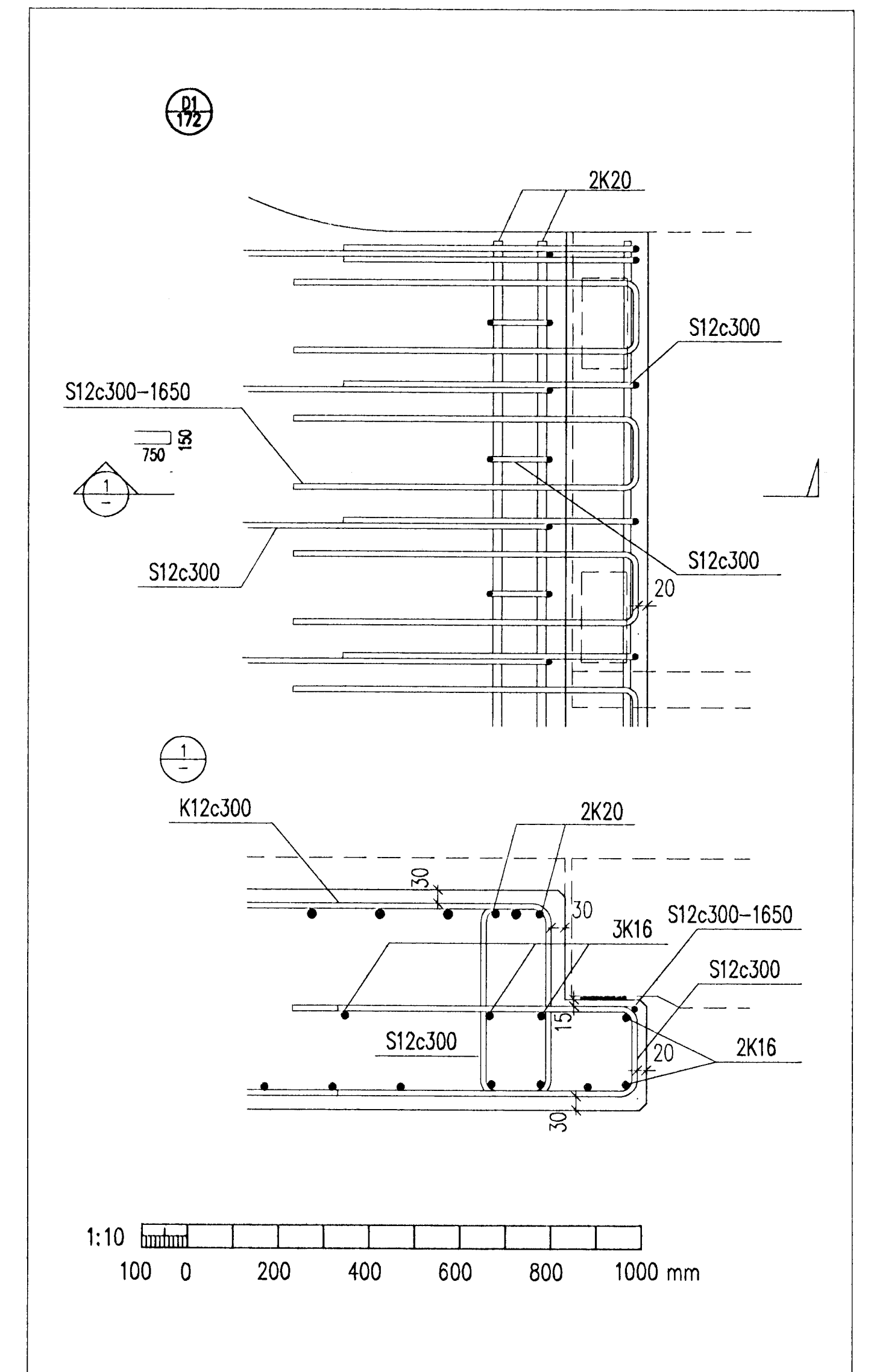
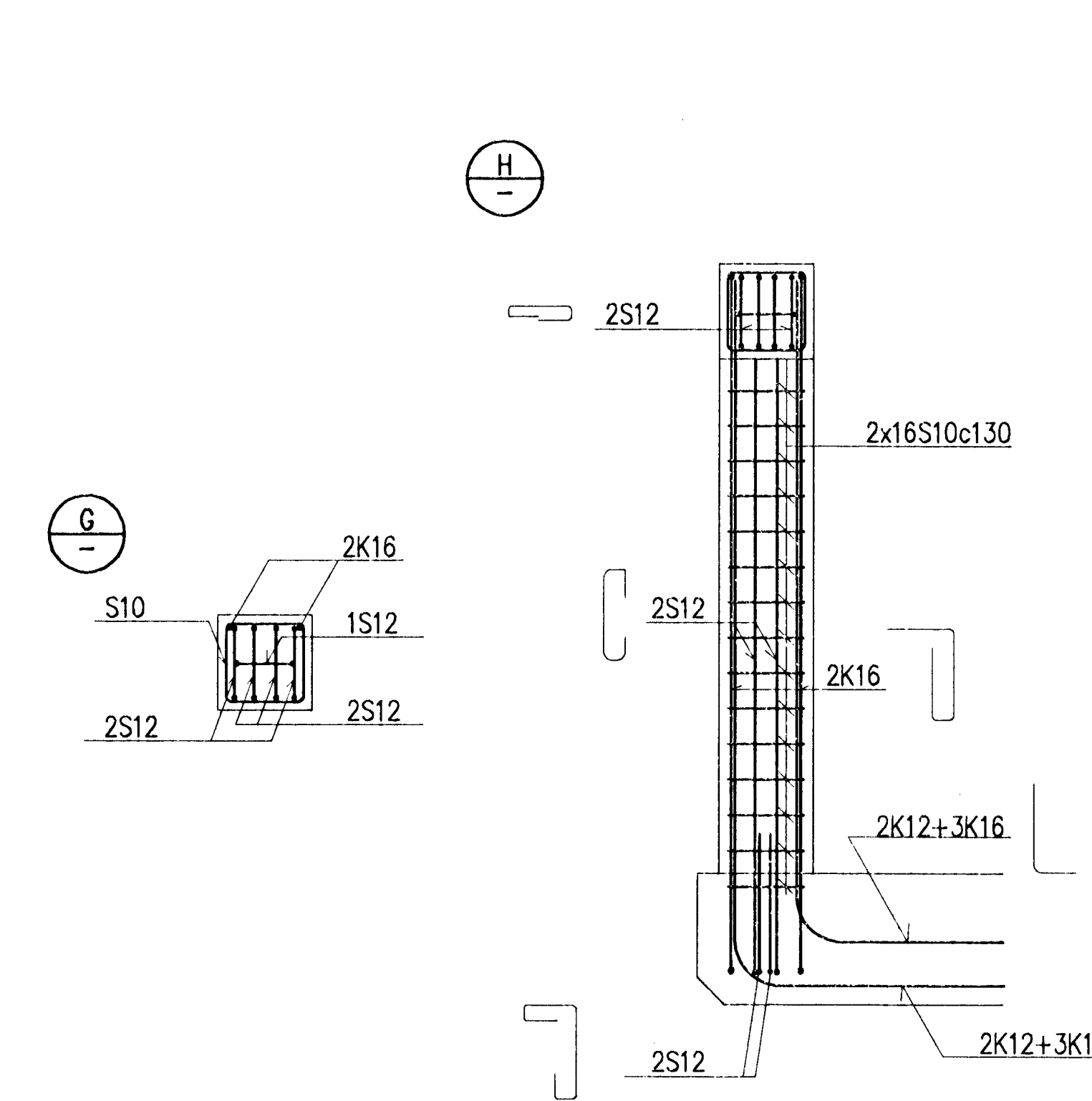
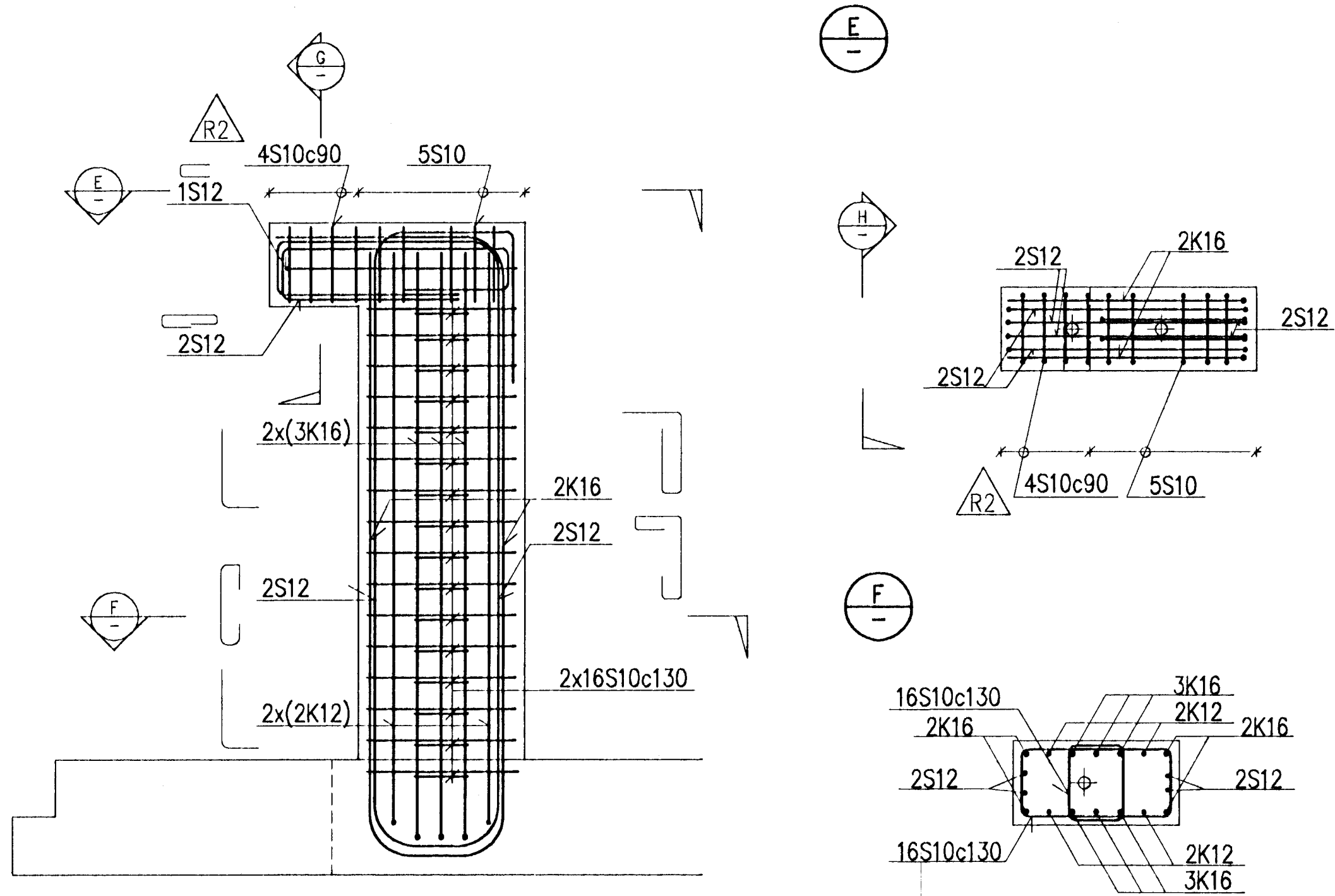


ANODE COLUMN A4 32 PIECES



ANODE COLUMN A5 32 PIECES



HAHNAFELDUR
BYGGINGAFULLTRÚNN
15/3 '96
AFREIÐT

1:20
1000 0 1000 2000 mm

REV. NO.	DATE	REVISION	BY	APP.	REV. NO.	DATE	REVISION	BY	APP.	NOTES	REFERENCE DRAWING	DRAWING NUMBER
2	1996.03.12	TOP OF ANODE COLUMNS	NI	N.I.								
1	1996.01.02	APPROVED FOR CONSTRUCTION		N.I.								

This drawing is our property and given for personal use only. It may not be copied or made available to others without our permission. The receiver is responsible for any misuse.

VST VST CONSULTING ENGINEERS Ltd.
Armula 4 108 Reykjavik Iceland
Tel: +354 569 5000 Fax: +354 569 5010

ICELANDIC ALUMINIUM COMPANY LTD.

DRAWN	95.10.28	KGS
APPROVED	95.10.28	KGS
PROCESS	95.10.28	NI
PROJECT	95.10.28	NI
SCALE	1:10,20	FORMAT A1

ALUSUISSE ALESA ALUSUISSE ENGINEERING LTD. ZÜRICH SWITZERLAND

ISAL ICELANDIC ALUMINIUM CO. LTD.

95.120 - 12.181	POTROOM NO. 3	CONCRETE WORK	ANODE COLUMNS A4 & A5	REINFORCEMENT
	79000-32381			
	186.681			