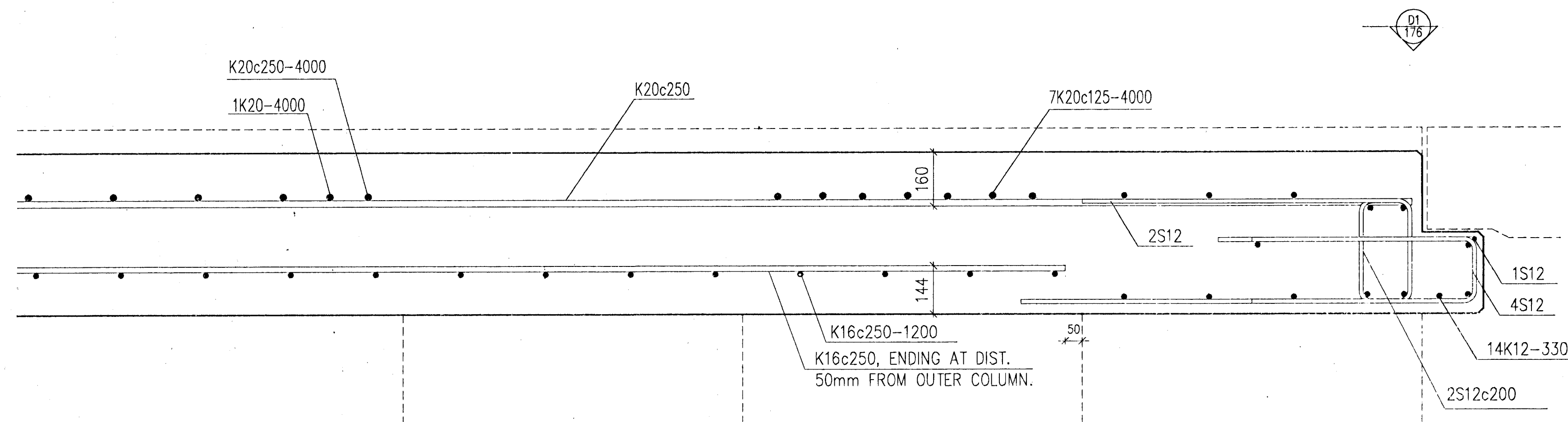


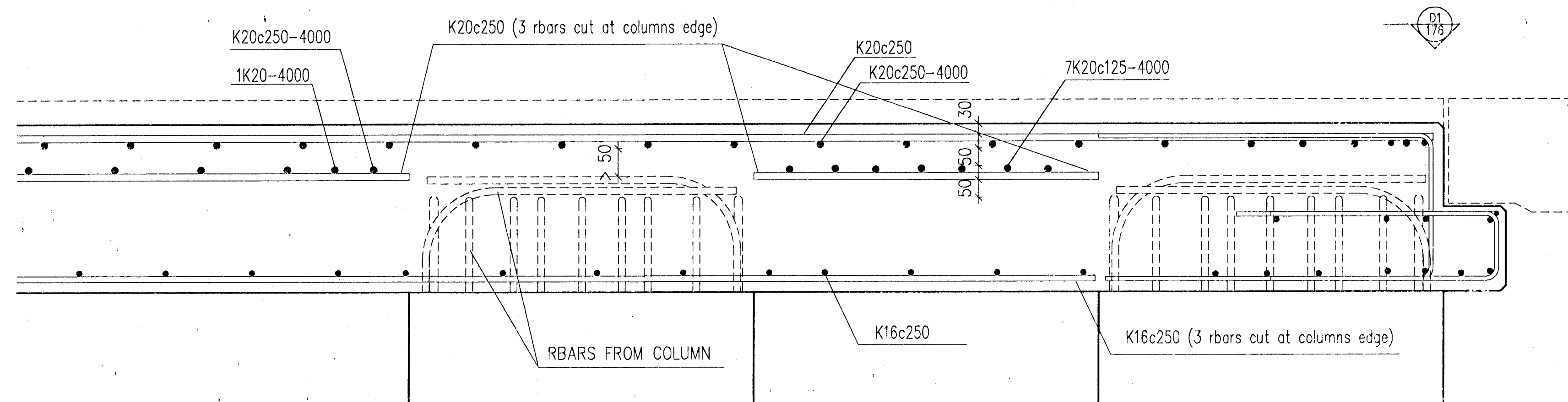
E
175

SECTION AT CENTER OF T9

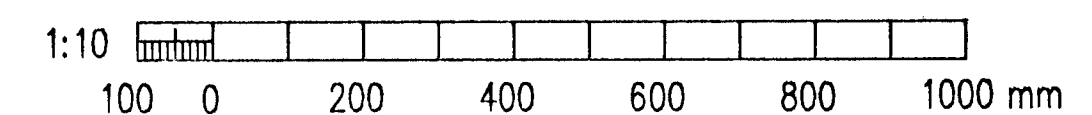


F
175

SECTION THROUGH COLUMNS



BYGGINGAFLITRÖUN
2/5 1996
AFGREITT



VST VST CONSULTING ENGINEERS Ltd. Armula 4 108 Reykjavik Iceland Tel:+354 569 5000 Fax:+354 569 5010		95.120 - 12.183	
ICELANDIC ALUMINIUM COMPANY LTD.		DRAWN 96.04.23 KGS APPROVED 96.04.23 KGS PROCESS 96.04.23 NI PROJECT 96.04.23 NI SCALE 1:10	POTROOM NO. 3 CONCRETE WORK TABLE T9, SECTIONS REINFORCEMENT
ALUSUISSE ALESA		ALUSUISSE ENGINEERING LTD. ZURICH SWITZERLAND	79000-32383
ISAL		ICELANDIC ALUMINIUM CO. LTD	186.683

REV. NO.	DATE	REVISION	BY	APP.	REV. NO.	DATE	REVISION	BY	APP.	NOTES	REFERENCE DRAWING	DRAWING NUMBER
1	1996.04.24	APPROVED FOR CONSTRUCTION	KGS	N.I.								

This drawing is our property and given for personal use only. It may not be copied or made available to others without our permission. The receiver is responsible for any misuse.