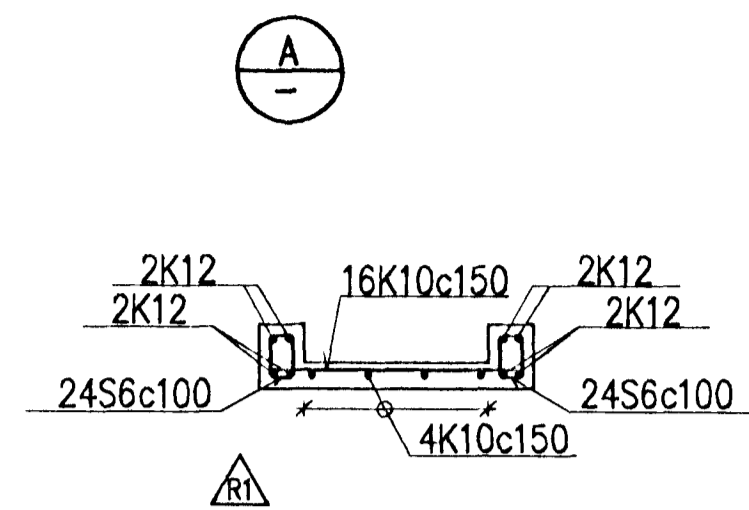
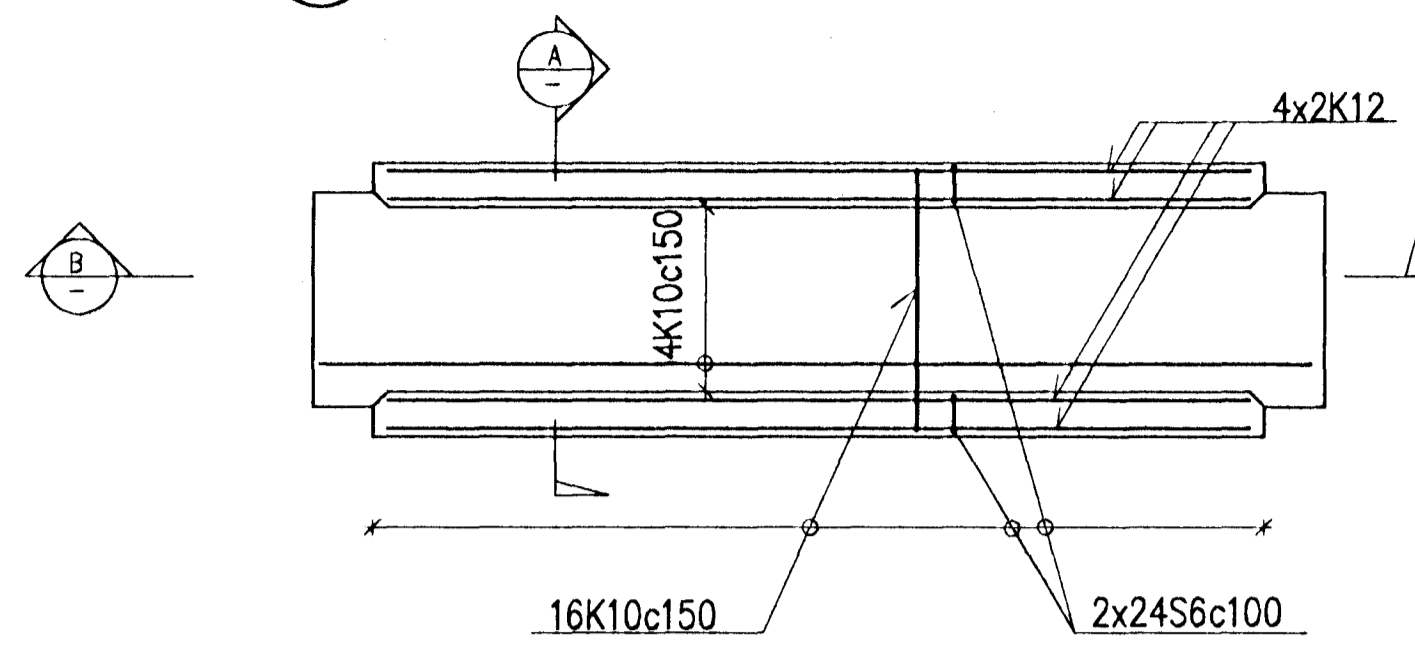
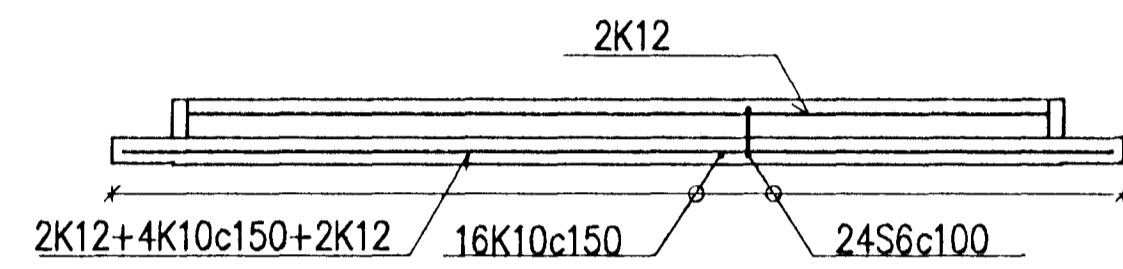


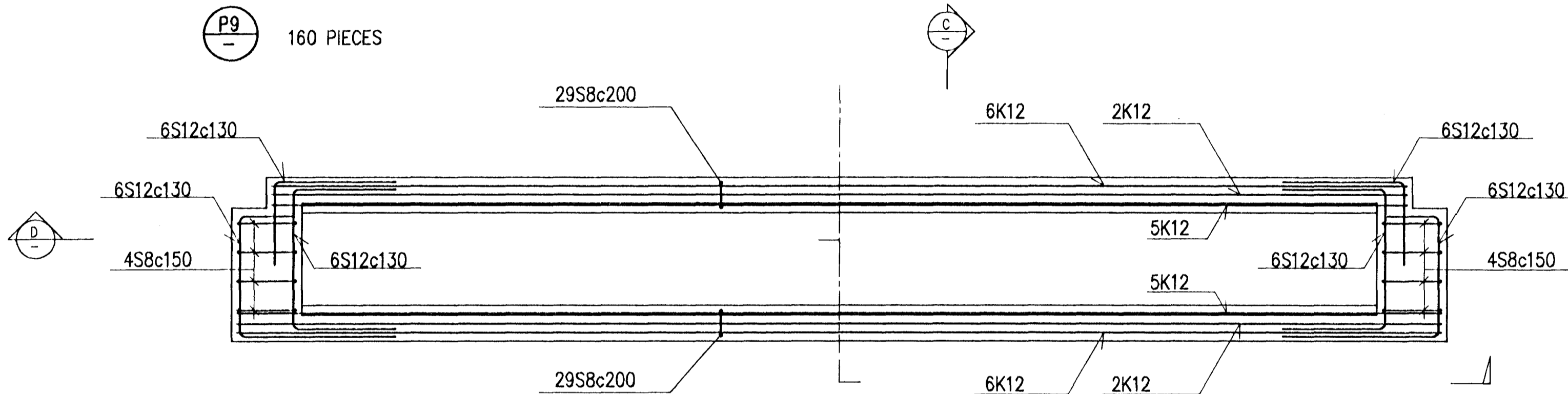
P8 64 PIECES



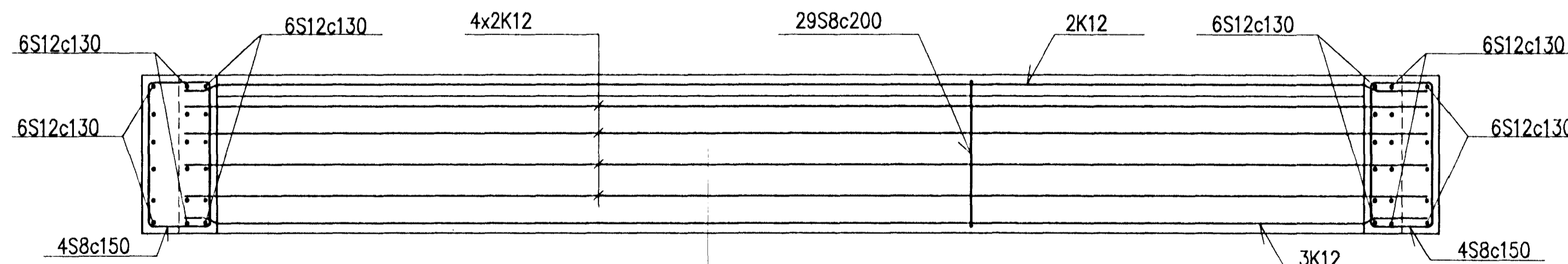
B



P9 160 PIECES

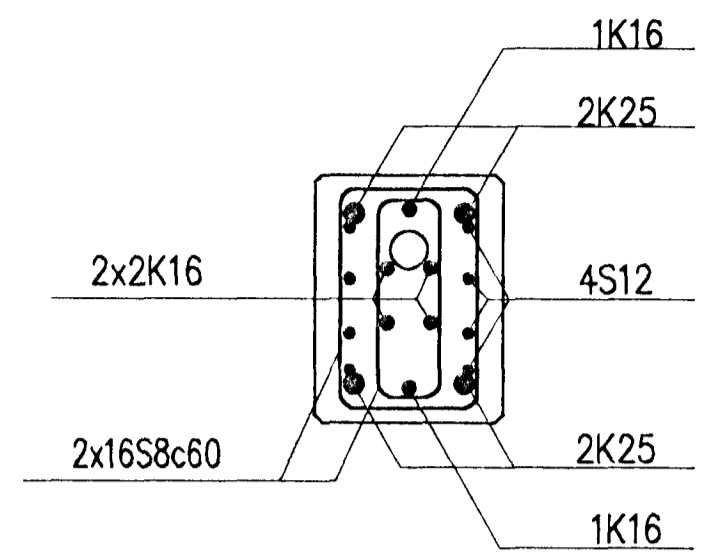
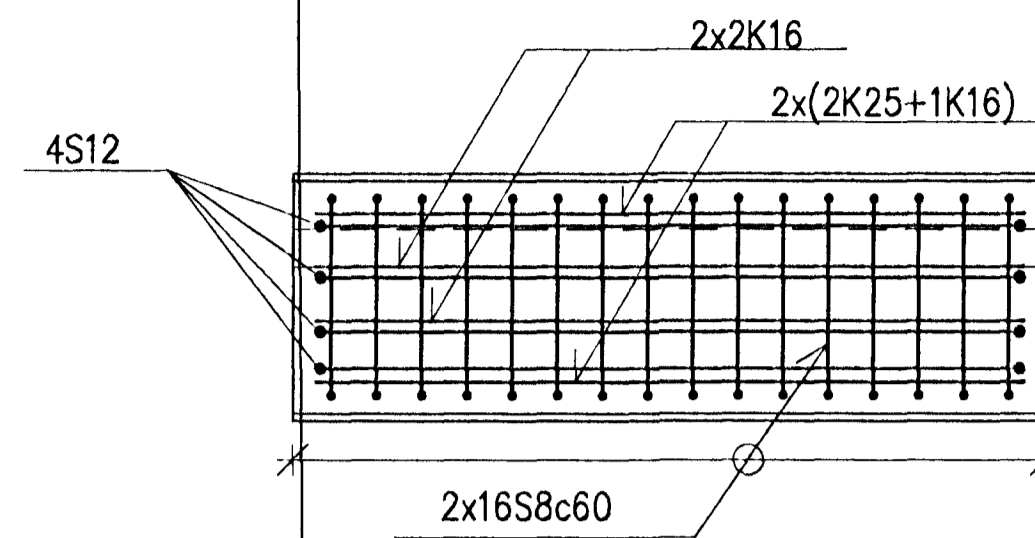


D

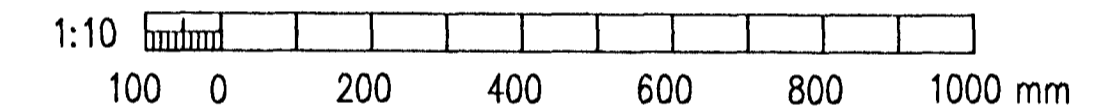
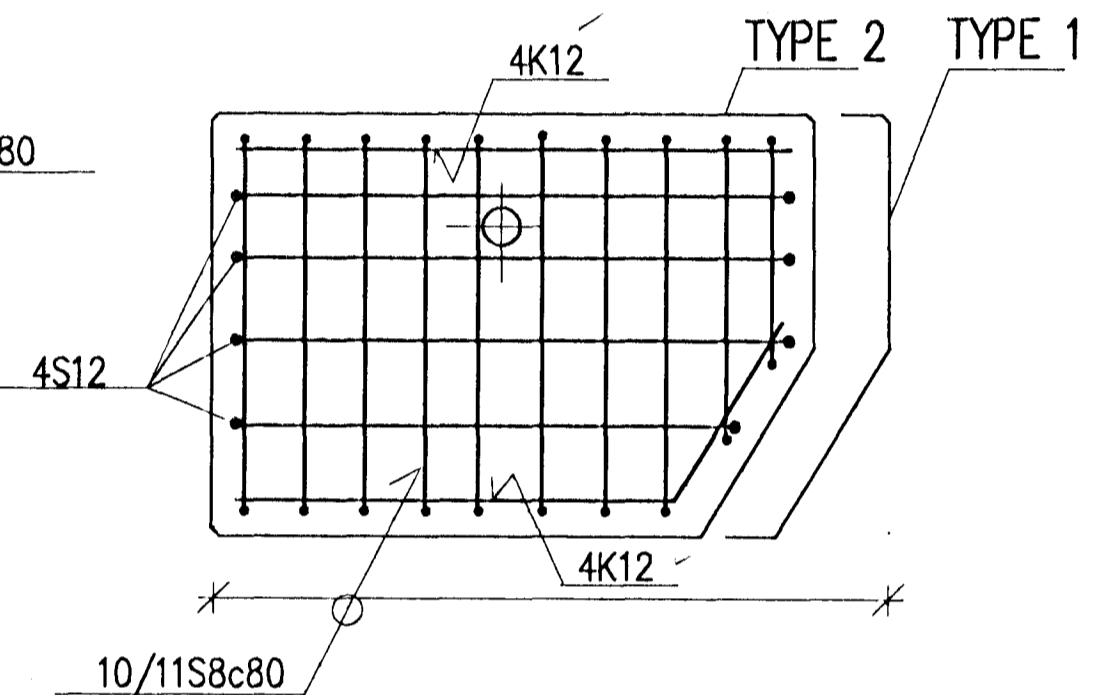
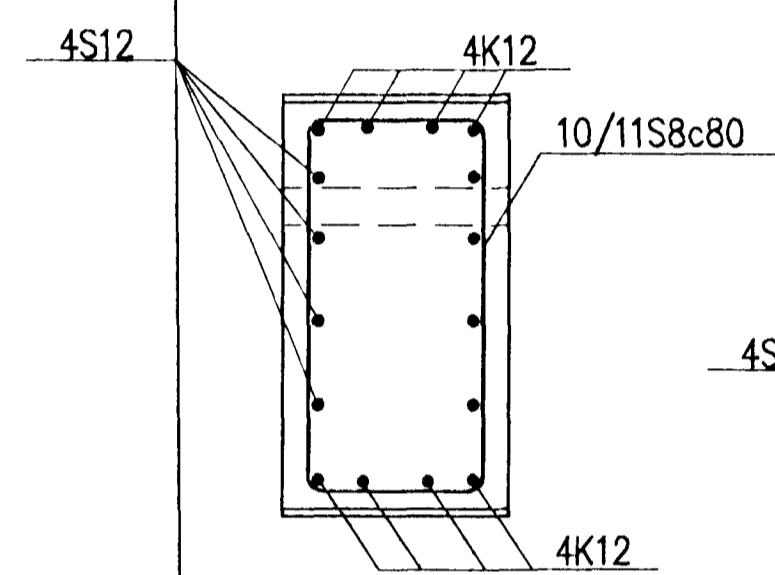


SCALE 1:10

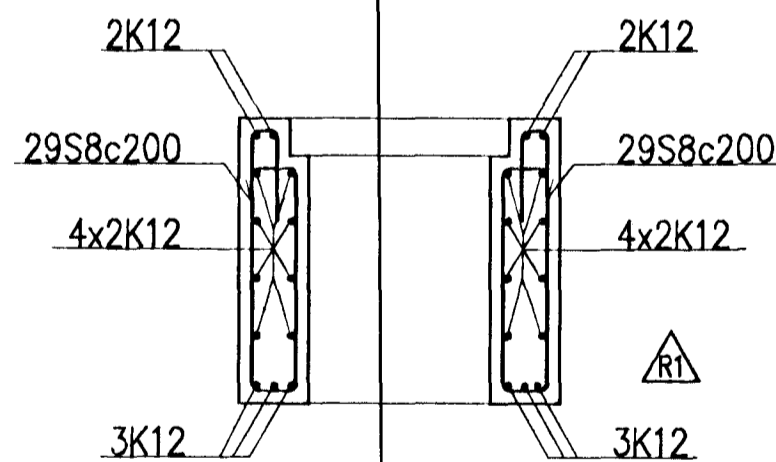
SUPPORT FOR POTS 640 PIECES



SUPPORT FOR BUS-BARS TYPE 1 356 PIECES
TYPE 2 356 PIECES



C



APPROVED: 11/3 '96
BY: [Signature]

REV. NO.	DATE	REVISION	BY	APP.	REV. NO.	DATE	REVISION	BY	APP.	NOTES	REFERENCE DRAWING	DRAWING NUMBER
2	1996.03.12	SUPPORTS FOR BUS-BARS	NI	N.I.								
1	1996.01.02	APPROVED FOR CONSTRUCTION	FGS	N.I.								

VST CONSULTING ENGINEERS Ltd.
 Armula 4 108 Reykjavik Iceland
 Tel:+354 569 5000 Fax:+354 569 5010

ICELANDIC ALUMINIUM COMPANY LTD.
 DRAWN 95.10.28 FGS
 APPROVED 95.10.28 KGS
 PROCESS 95.10.28 NI
 PROJECT 95.10.28 NI
 SCALE 1:10,20 FORMAT A1

ALUSUISSE ALESA
 ALUSUISSE ENGINEERING LTD.
 ZURICH SWITZERLAND

ICELANDIC ALUMINIUM CO. LTD

95.120 - 12.186
 POTROOM NO. 3
 CONCRETE WORK
 PREFAB. SLABS P8-P9, SUPPORTS
 REINFORCEMENT
 79000-32386
 186.686

22-107-0295 I:\95-1XX\95120\DWG\DWG-C\AL-C186.DWG