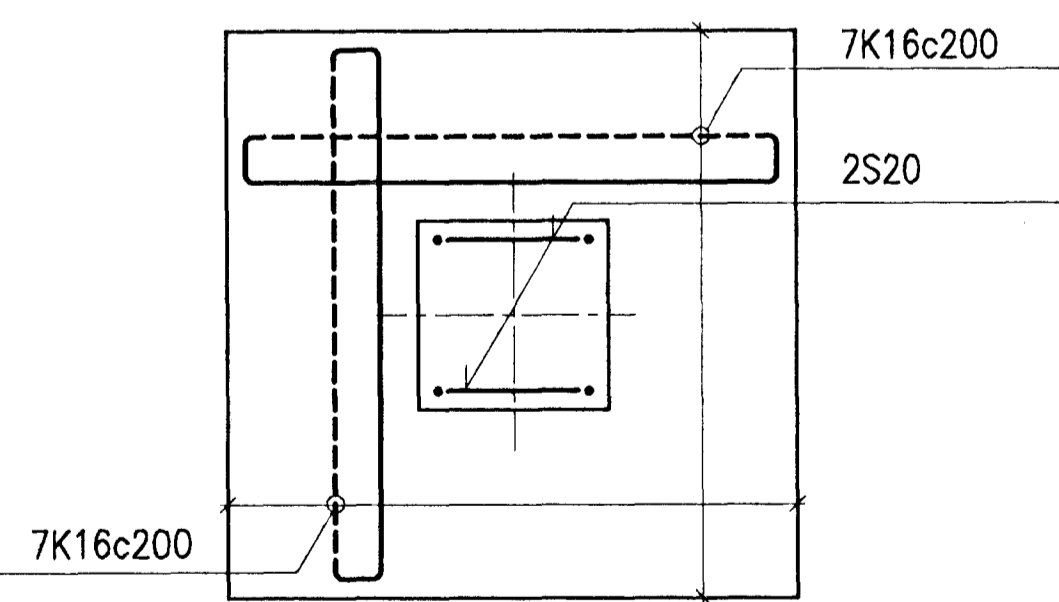
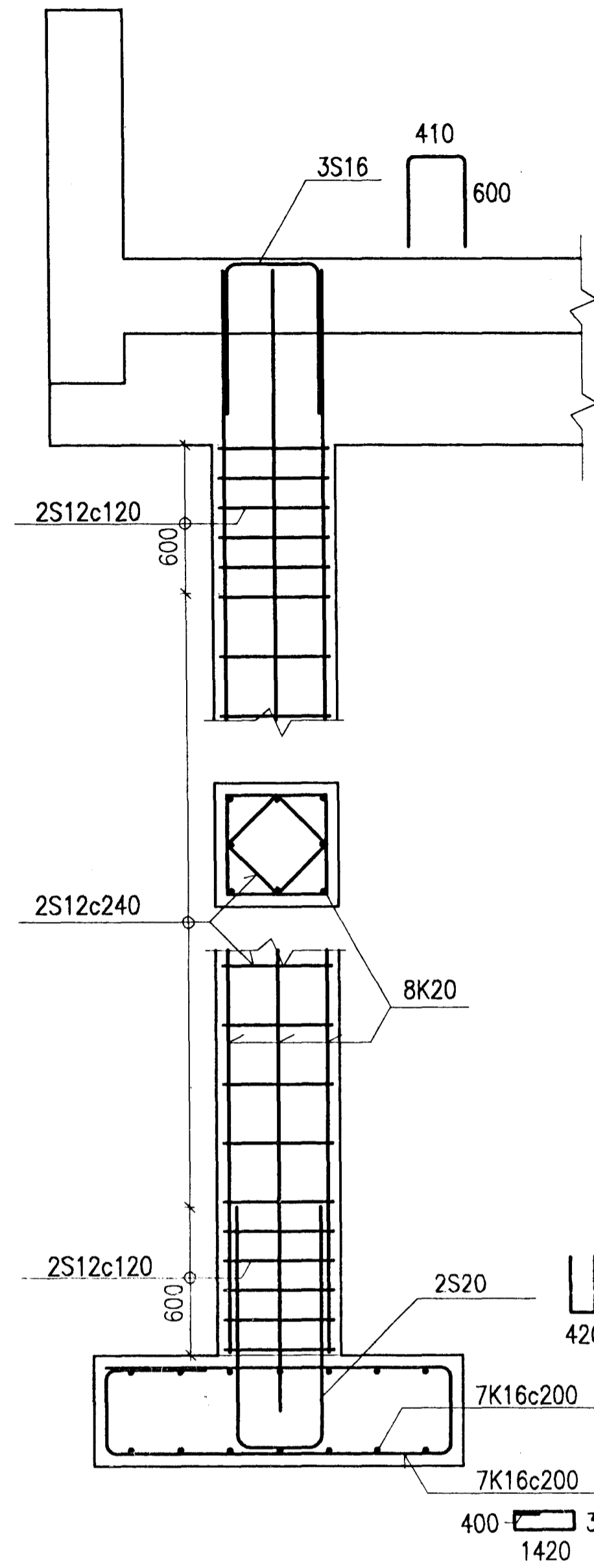
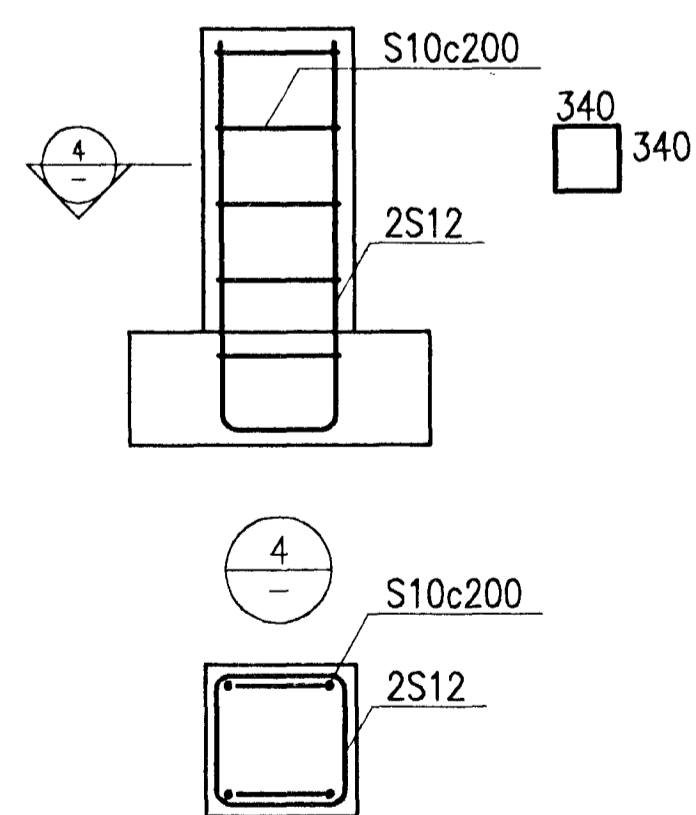


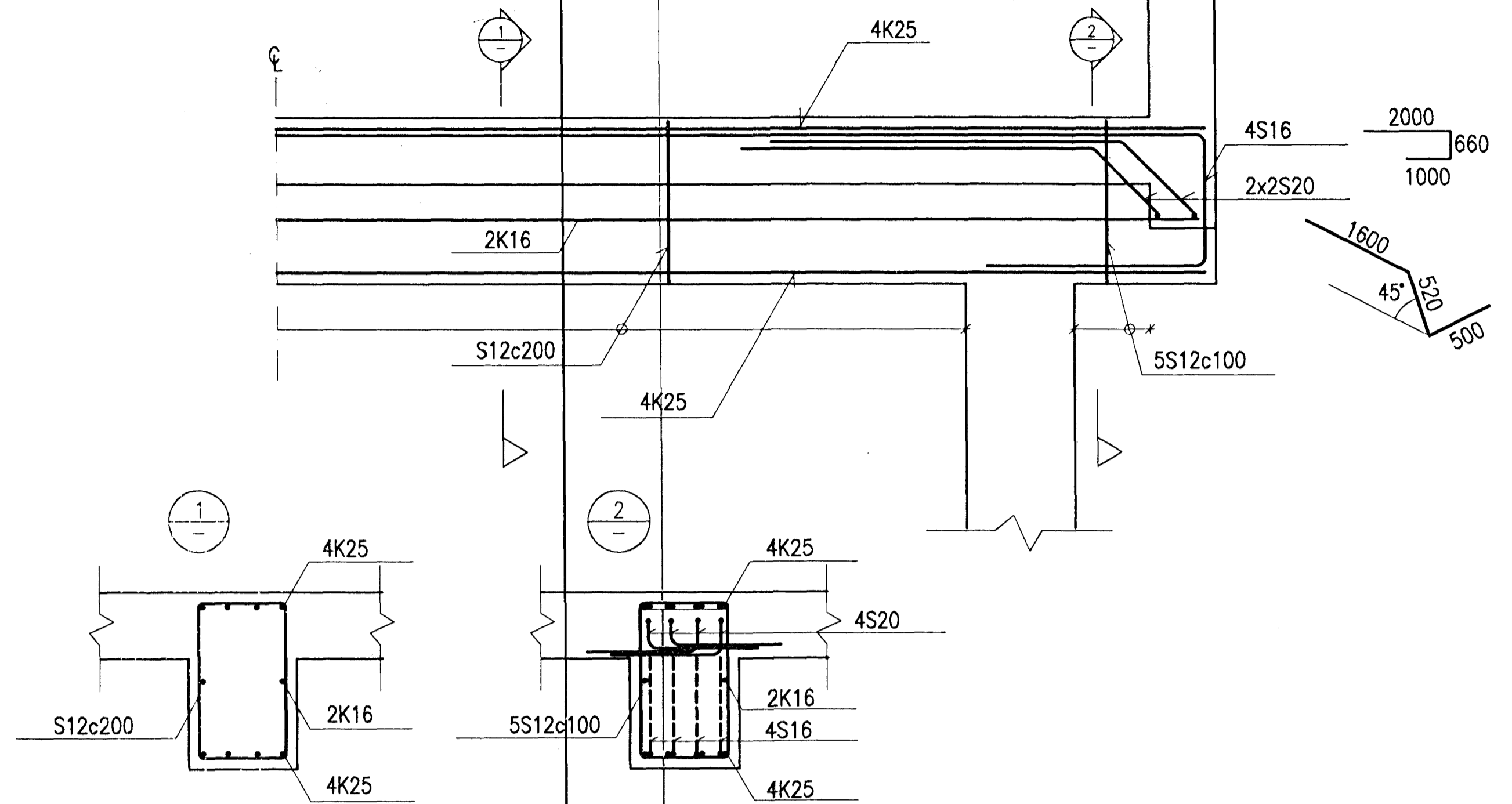
COLUMN AND FUNDAMENT U1



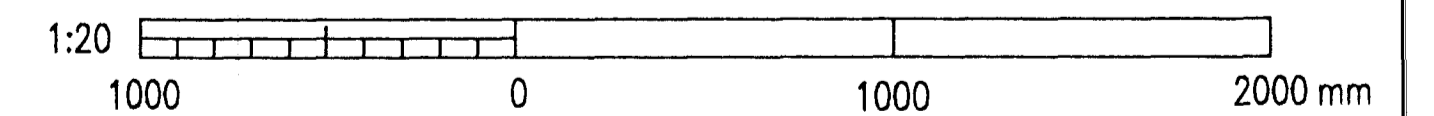
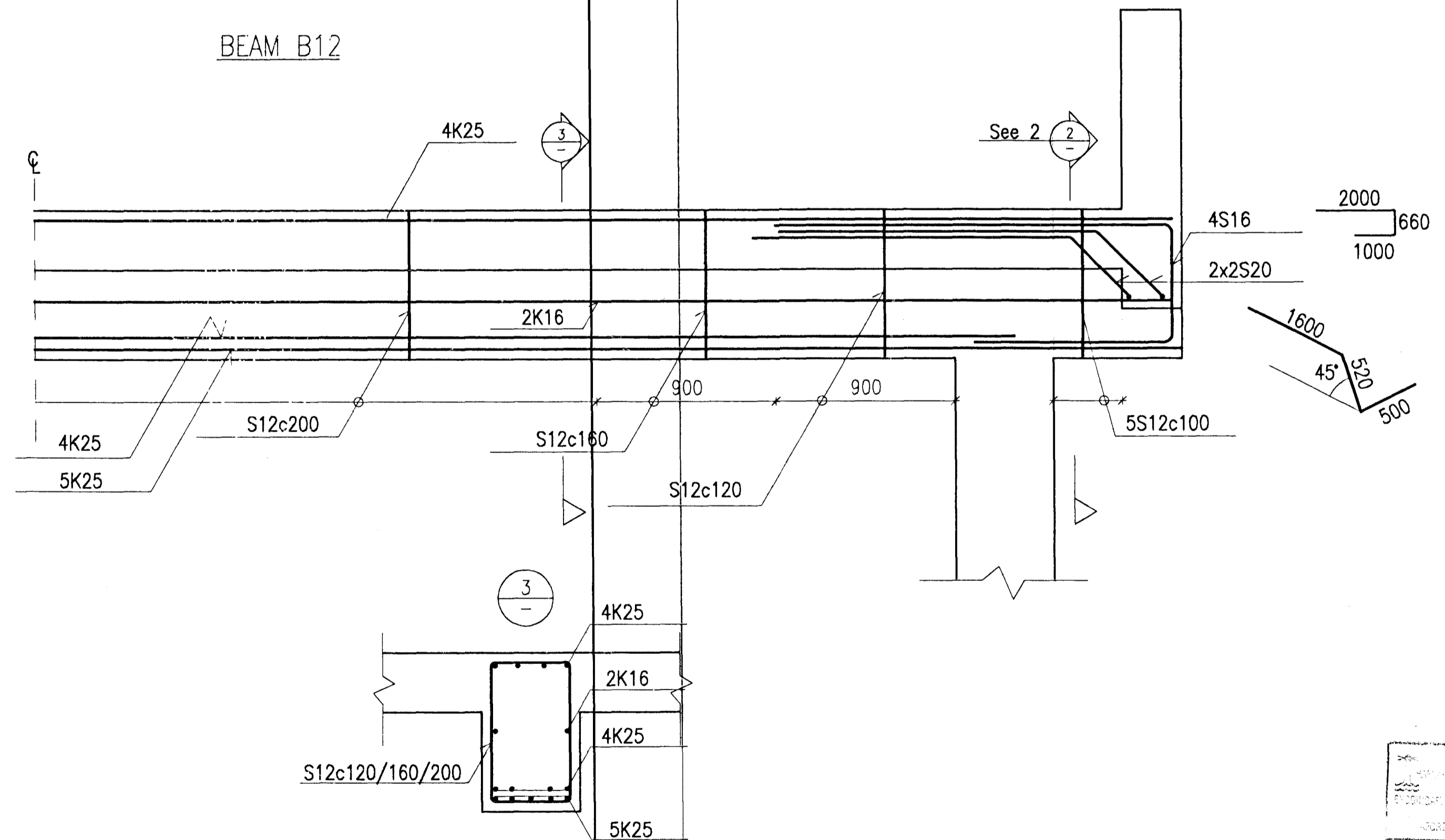
FUNDAMENT U2



BEAM B11



BEAM B12



4-12-97
UP

REV. NO.	DATE	REVISION	BY	APP.	REV. NO.	DATE	REVISION	BY	APP.	NOTES	REFERENCE DRAWING	DRAWING NUMBER
1	1996.03.22	APPROVED FOR CONSTRUCTION	NI	A.I.								

This drawing is our property and given for personal use only. It may not be copied or made available to others without our permission. The receiver is responsible for any misuse.

<p>VST CONSULTING ENGINEERS Ltd. Armula 4 108 Reykjavik Iceland Tel: +354 569 5000 Fax: +354 569 5010</p>	95.120 - 28.131	
	<p>ICELANDIC ALUMINIUM COMPANY LTD.</p>	<p>PASSAGEWAY BUILDINGS CONCRETE WORK FOUNDATIONS AND COLUMNS, BEAMS B11, B12 REINFORCEMENT</p>
<p>ALUSUISSE ALESA</p>	<p>ALUSUISSE ENGINEERING LTD. ZURICH SWITZERLAND</p>	79000-35231
<p>ISAL</p>	<p>ICELANDIC ALUMINIUM CO. LTD</p>	188.231