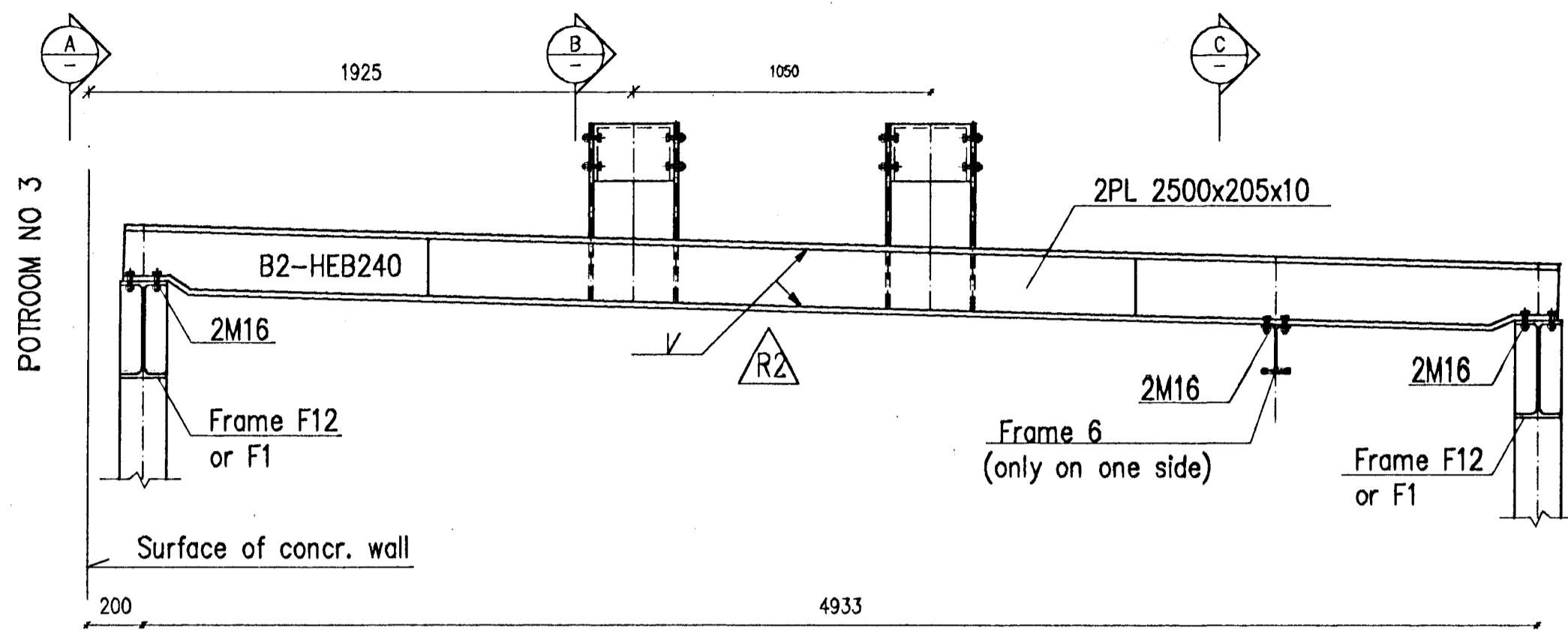
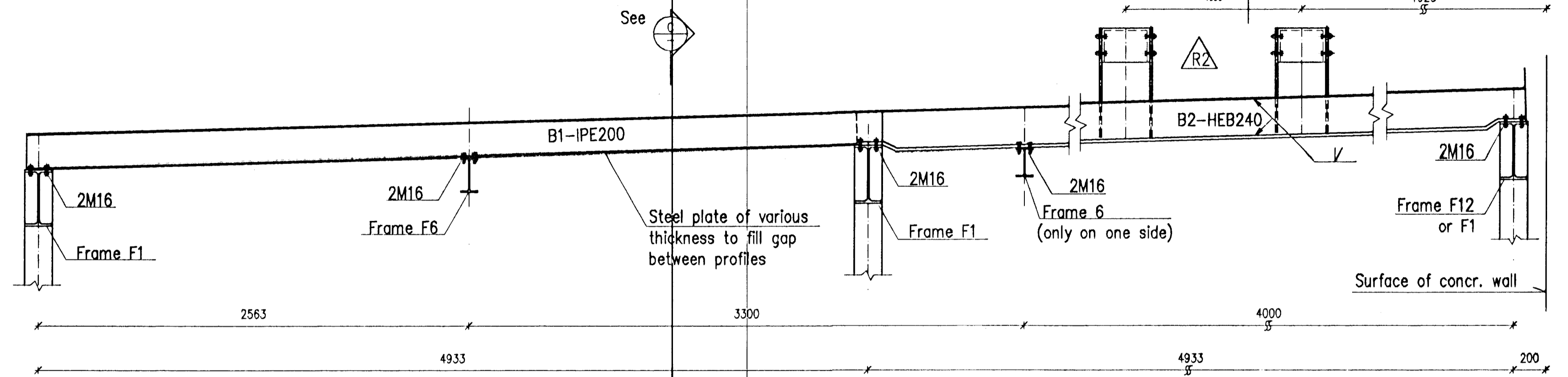


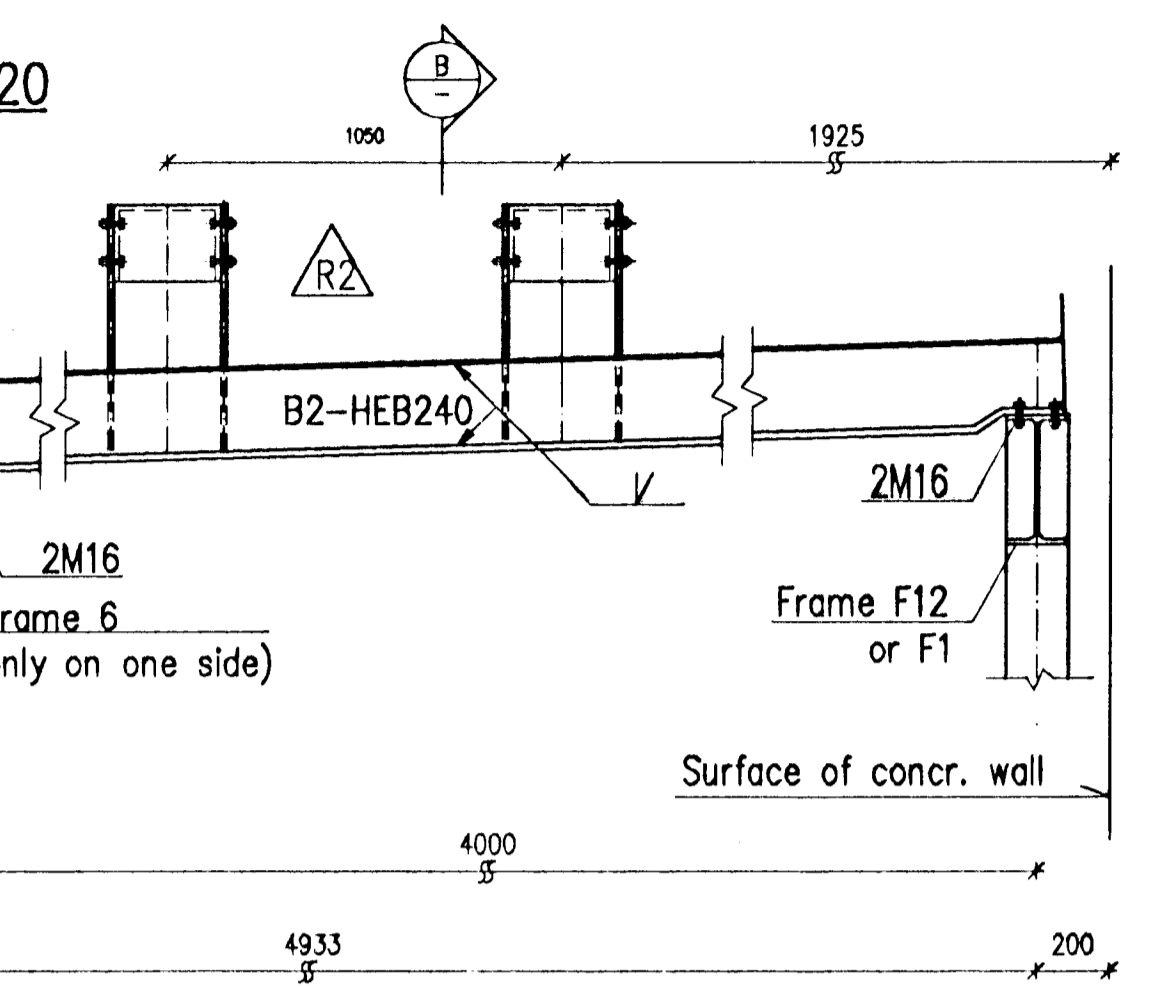
BEAM B2, 1:20



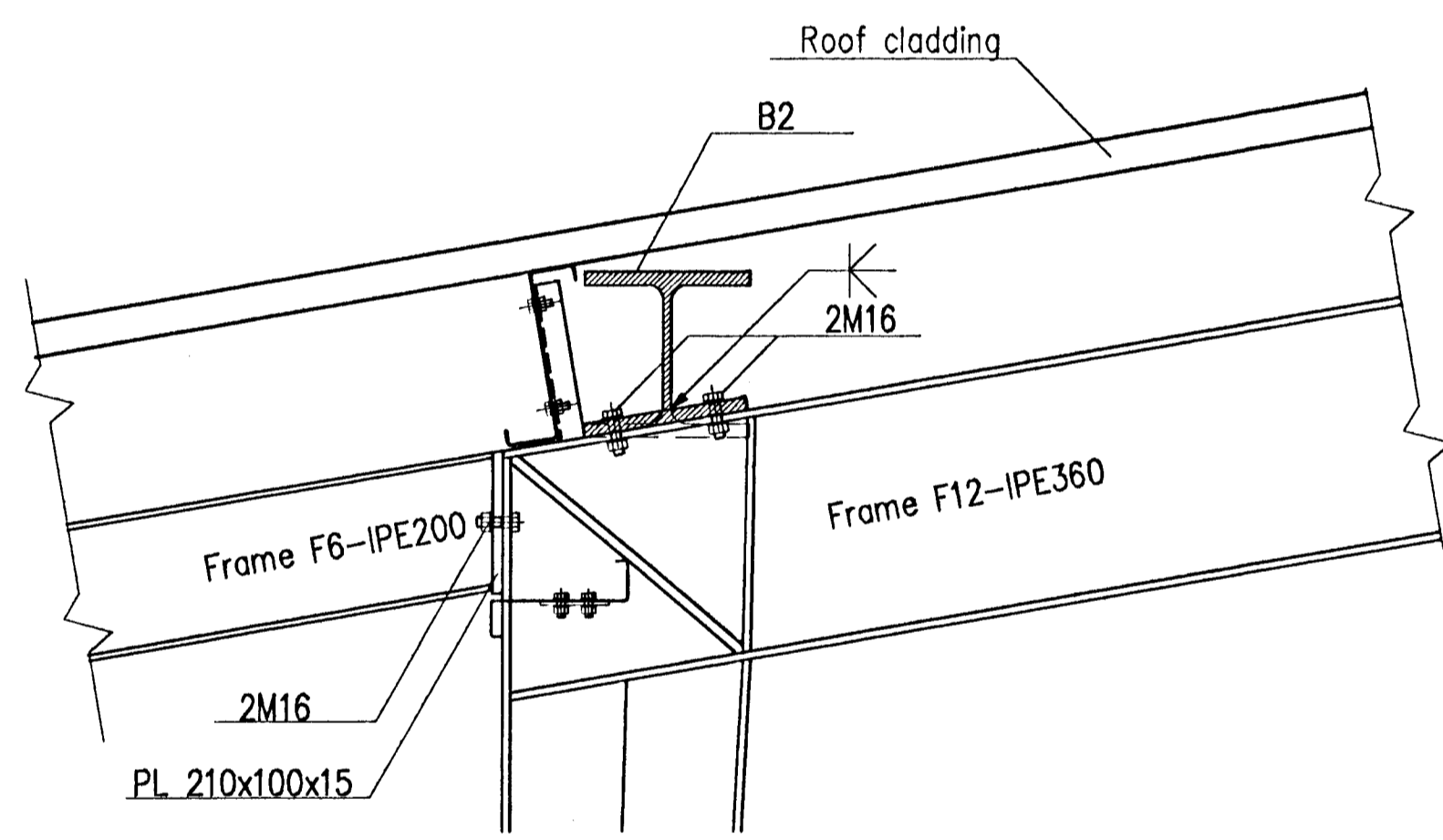
BEAM B1, 1:20



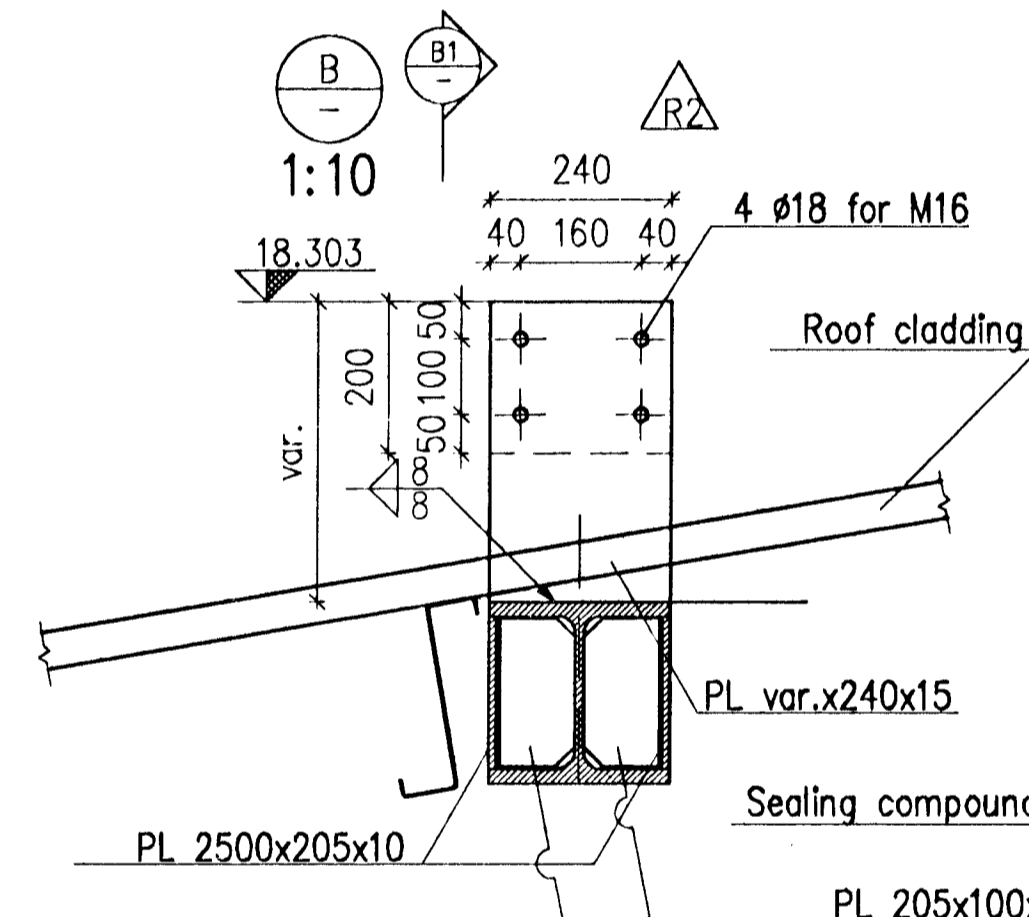
BEAM B2, 1:20



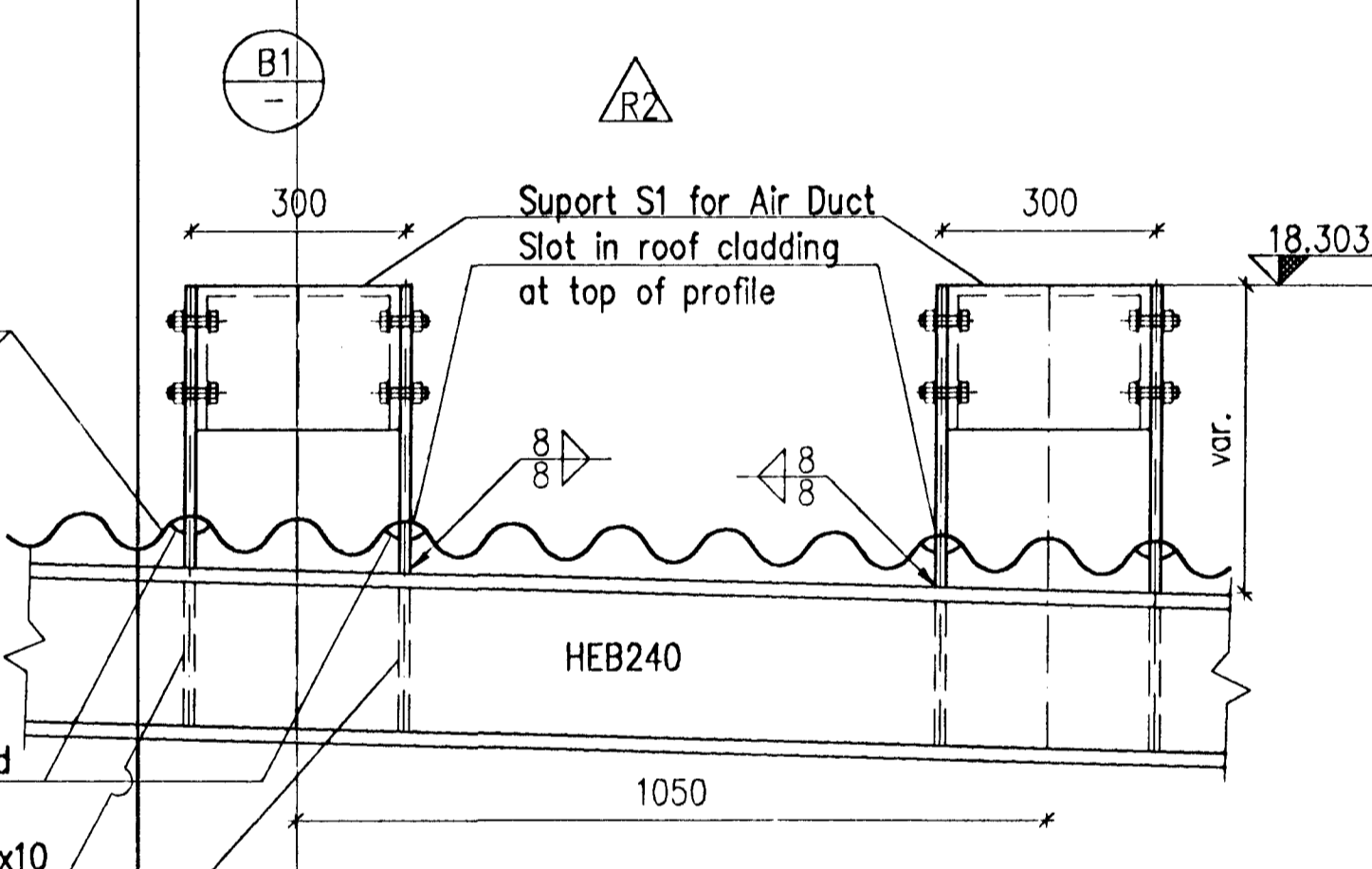
A 1:10



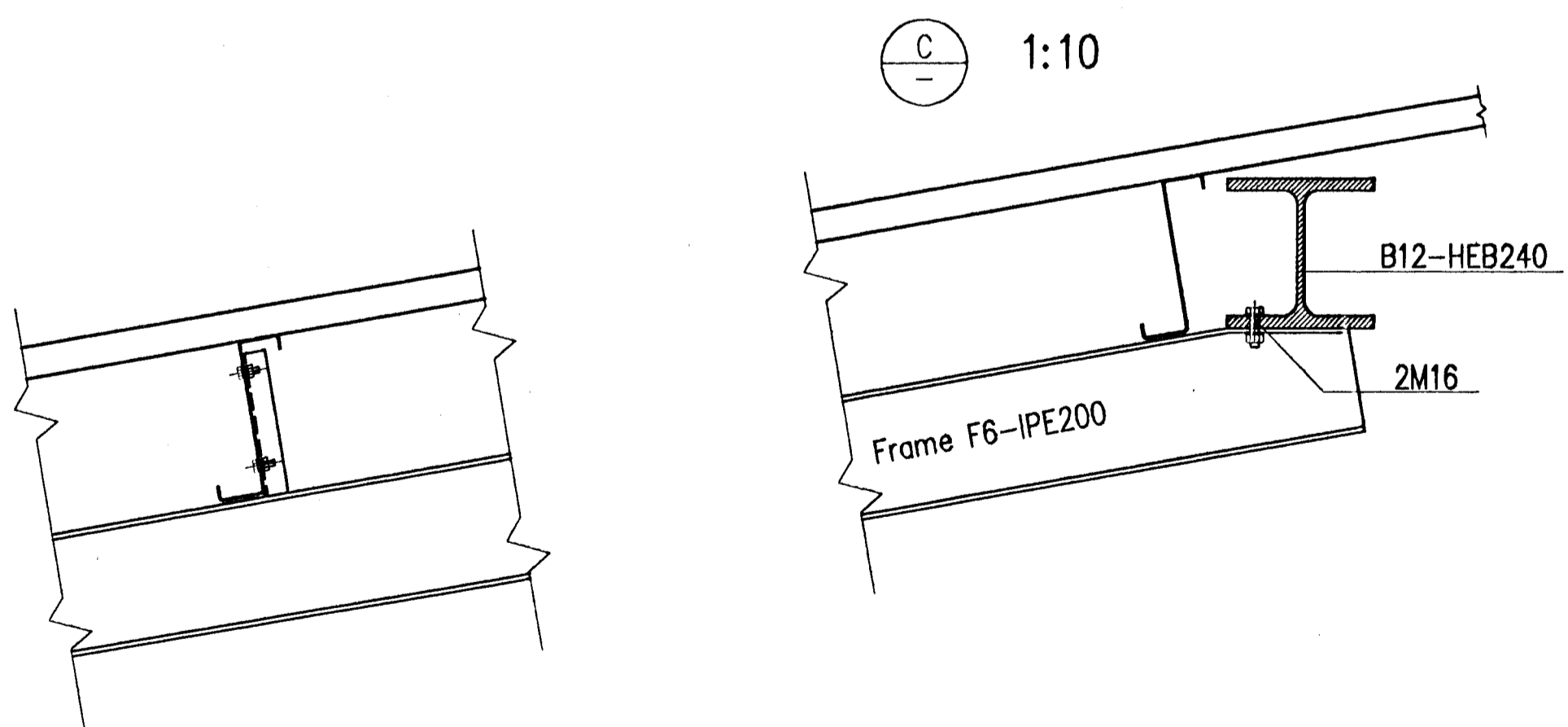
B 1:10



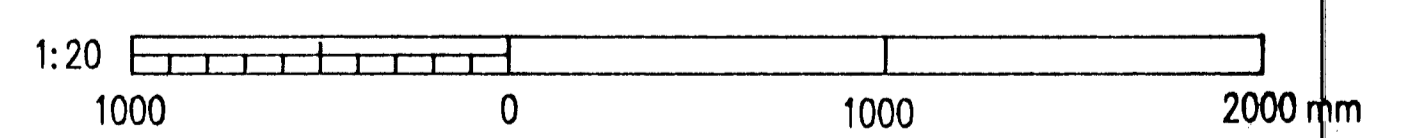
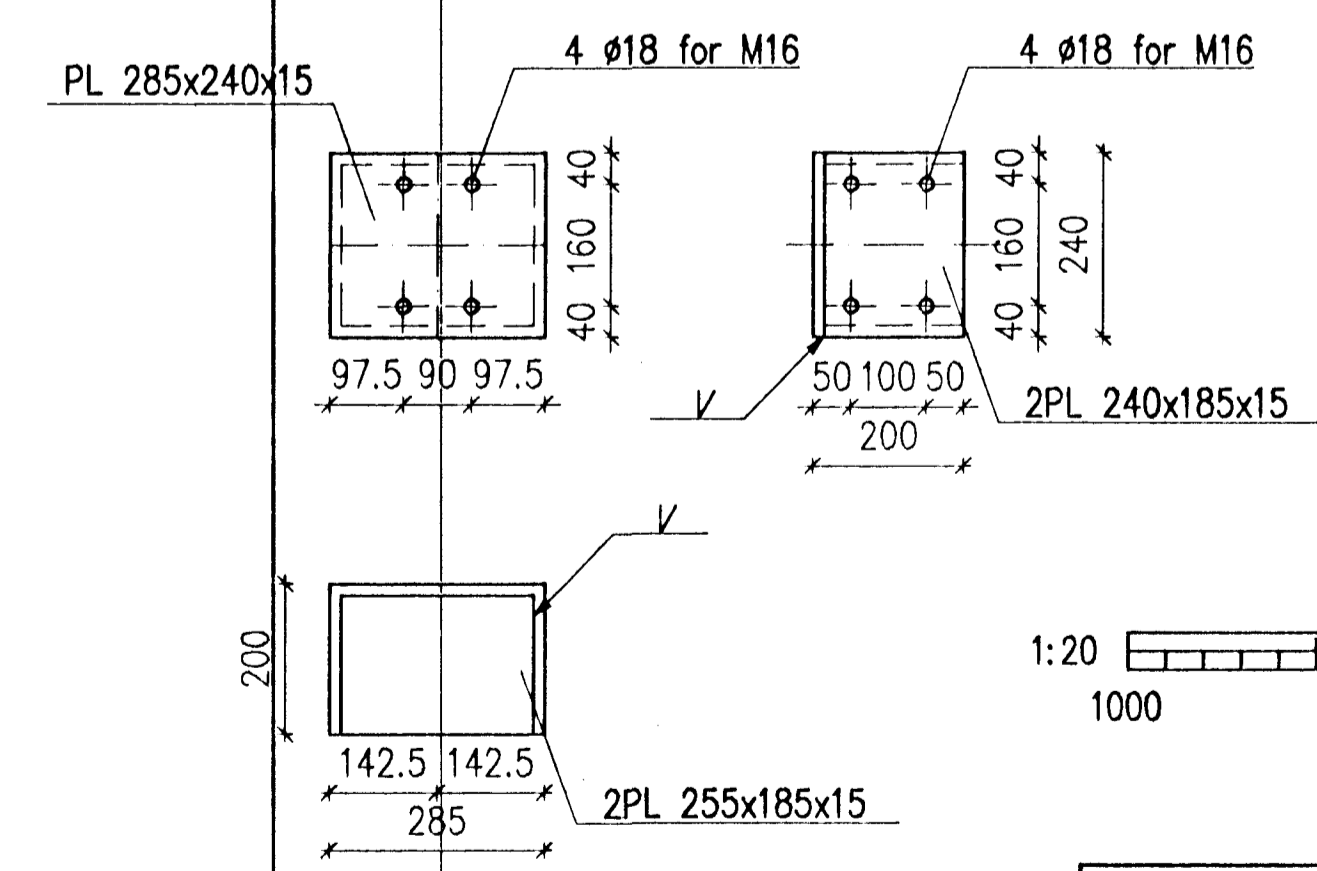
B1 1:10



C 1:10



SUPPORT S1



4-12-27  
UP

REV. NO.	DATE	REVISION	BY	APP.	REV. NO.	DATE	REVISION	BY	APP.	NOTES	REFERENCE DRAWING	DRAWING NUMBER
2	1997.01.19	SUPPORT FOR AIR DUCTS	NI	N.I.								
1	1996.08.22	APPROVED FOR CONSTRUCTION	NI	N.I.								

This drawing is our property and given for personal use only. It may not be copied or made available to others without our permission. The receiver is responsible for any misuse.

<b>VST CONSULTING ENGINEERS Ltd.</b> Armúla 4 108 Reykjavík Ísland Tel: +354 569 5000 Fax: +354 569 5010	DRAWN 96.07.20 SHJ APPROVED 96.07.20 NI PROCESS 96.07.20 NI PROJECT 96.07.20 NI SCALE 1:20	95.120 - 28.160 PASSAGEWAY BUILDINGS STRUCTURAL STEEL BEAMS B1 AND B2
	ALUSUISSE ENGINEERING LTD. ZÜRICH SWITZERLAND	79000-28160