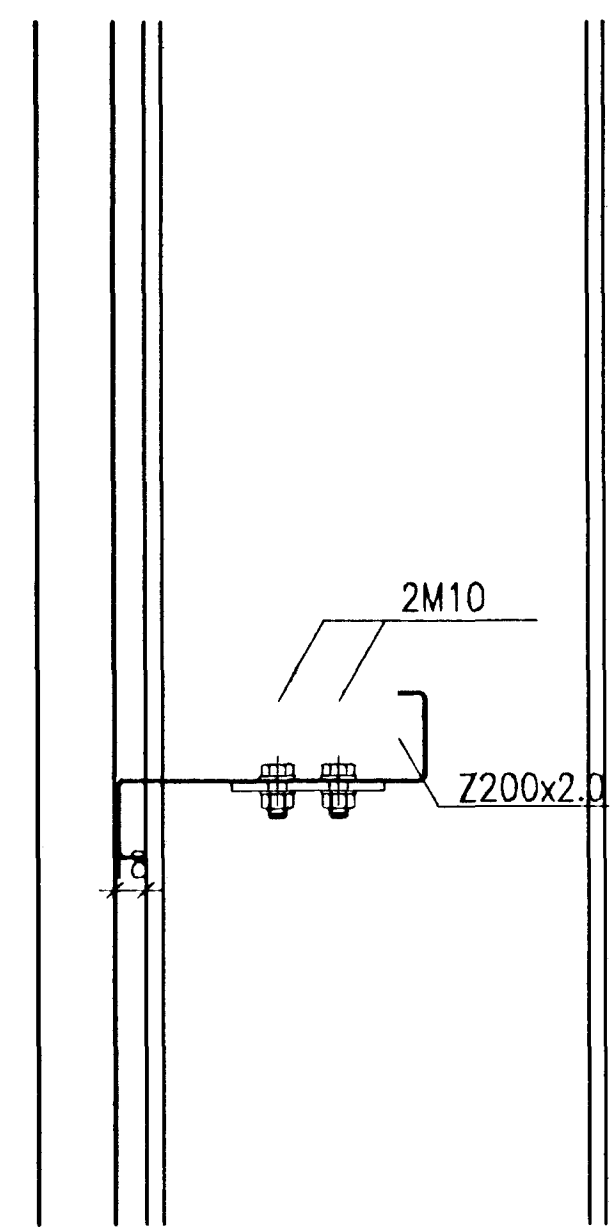
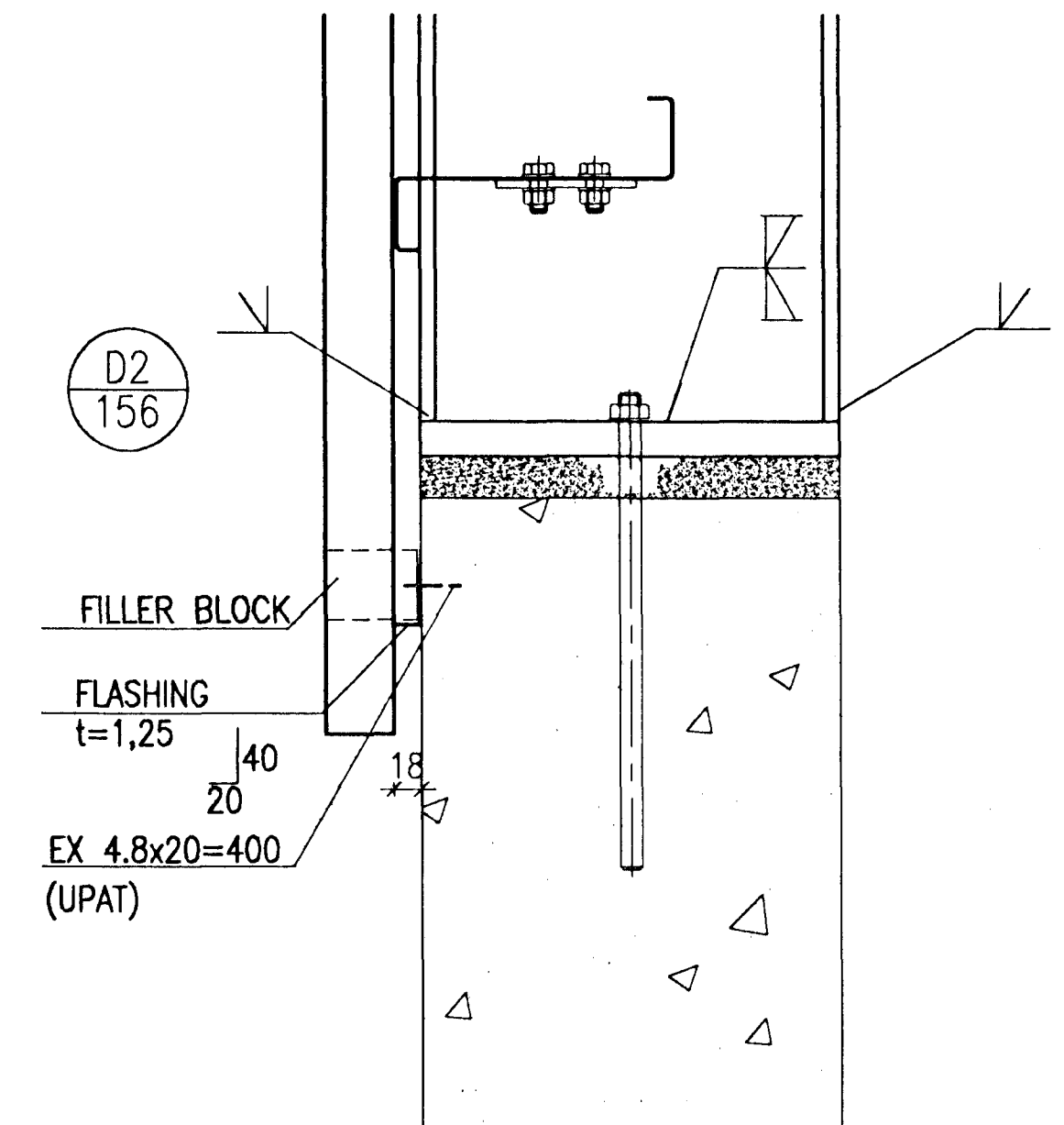


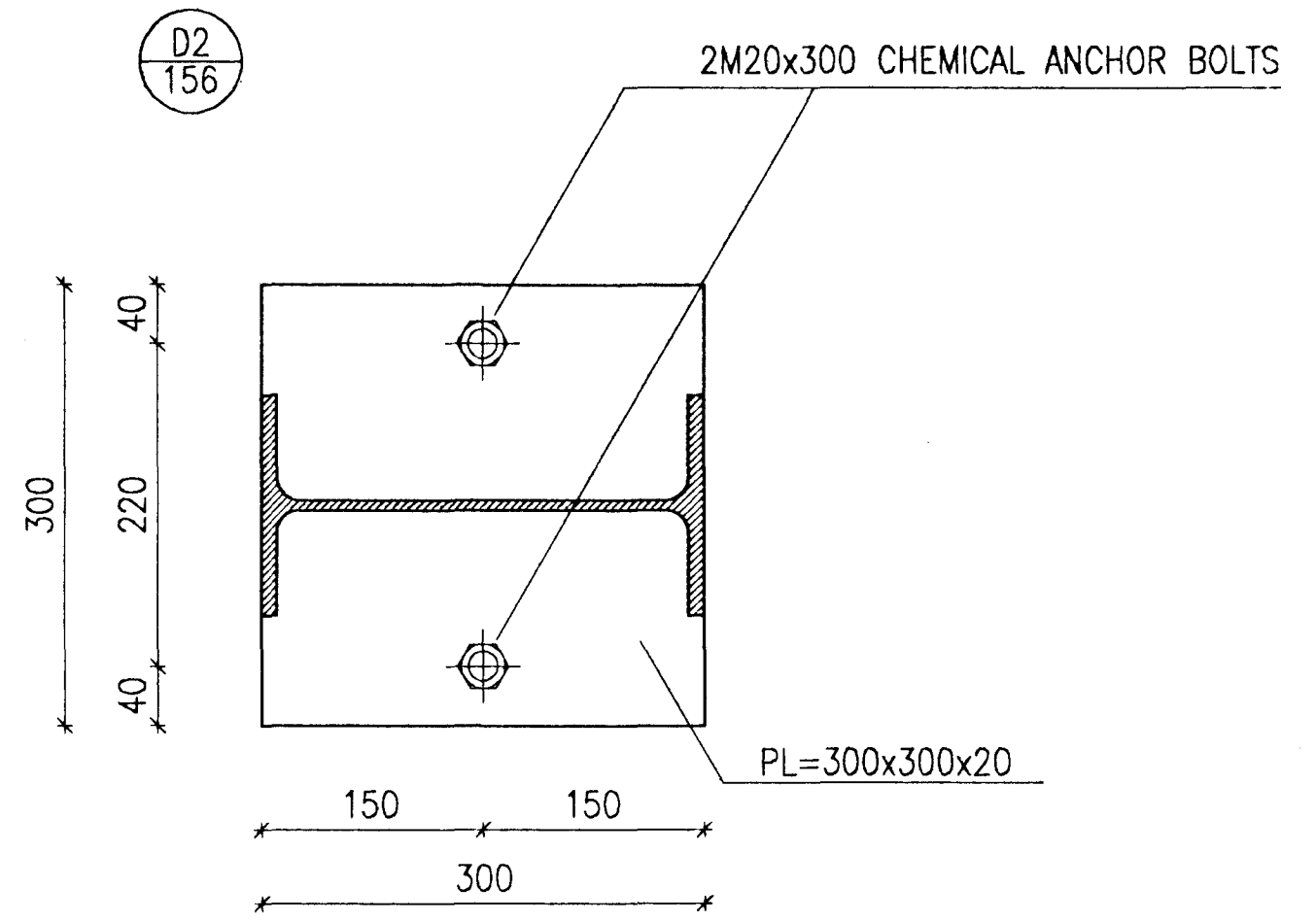
D1
156



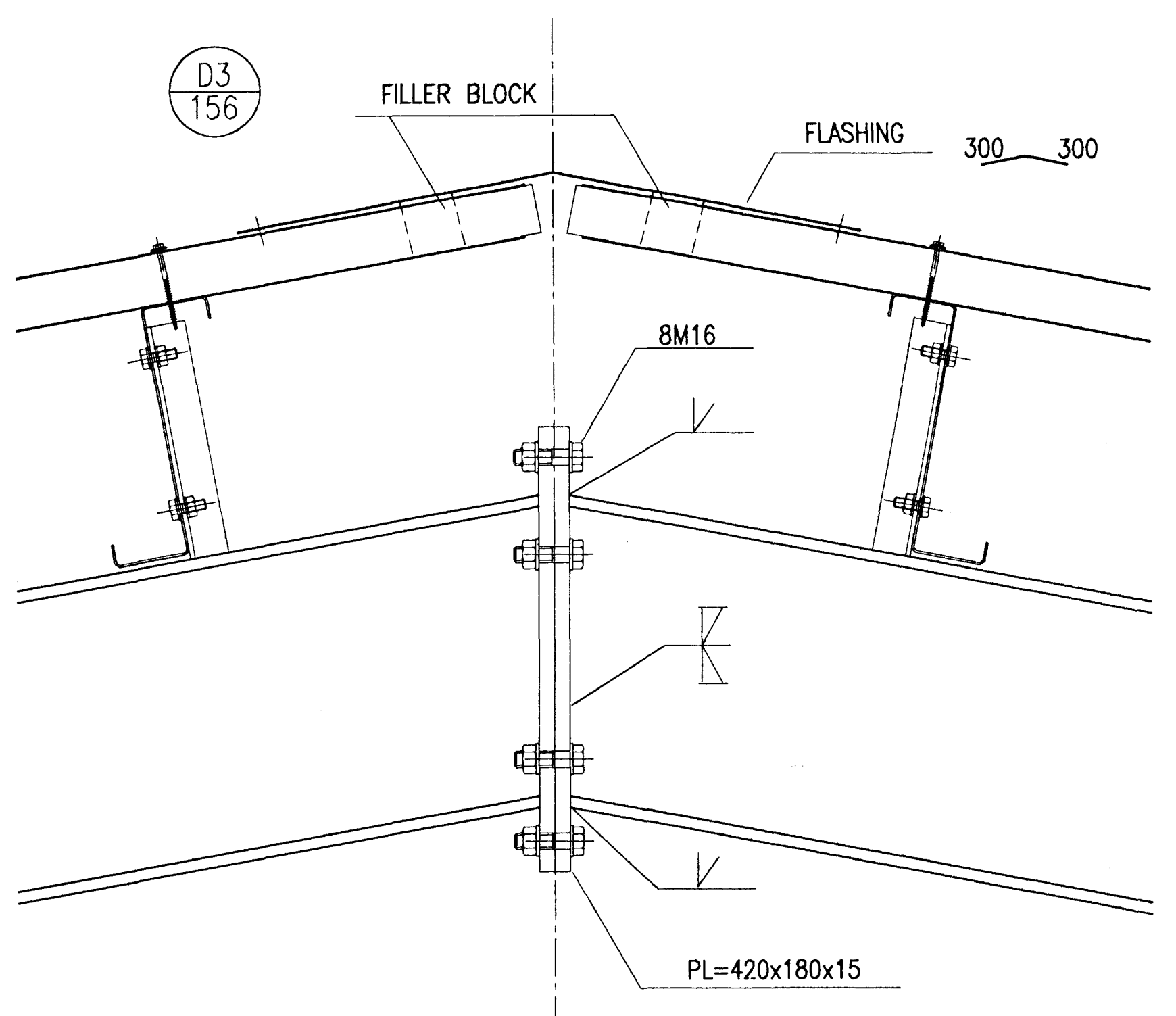
D2
156



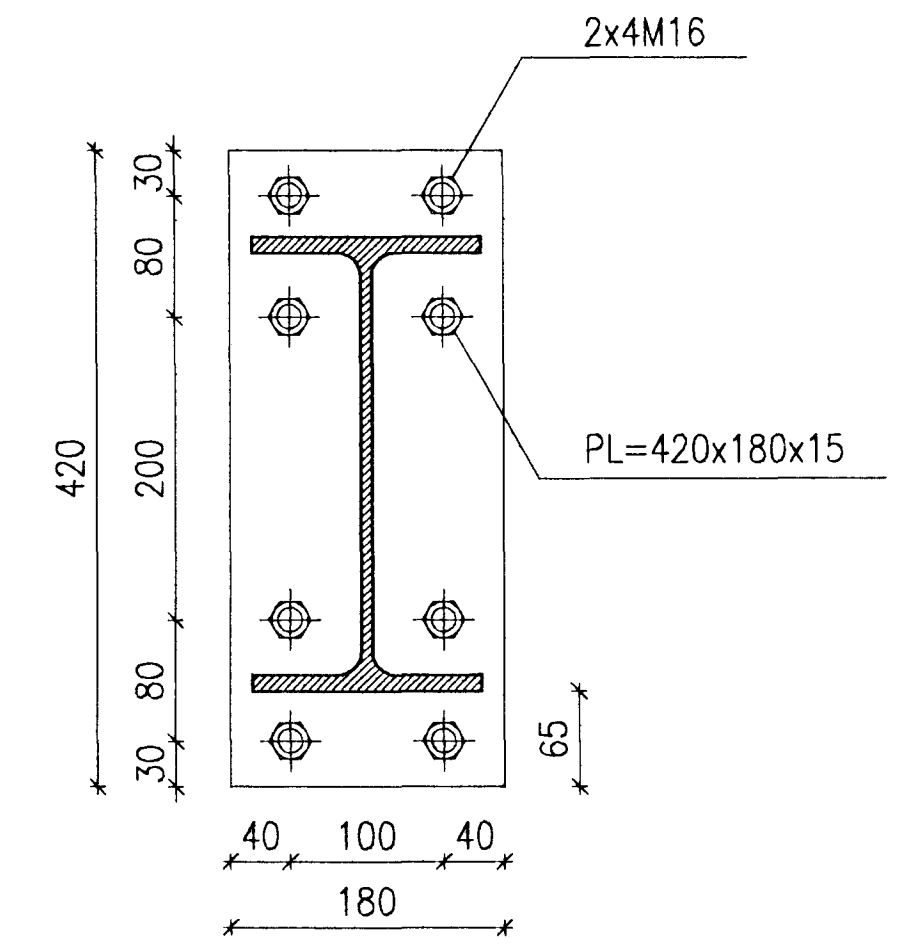
D2
156



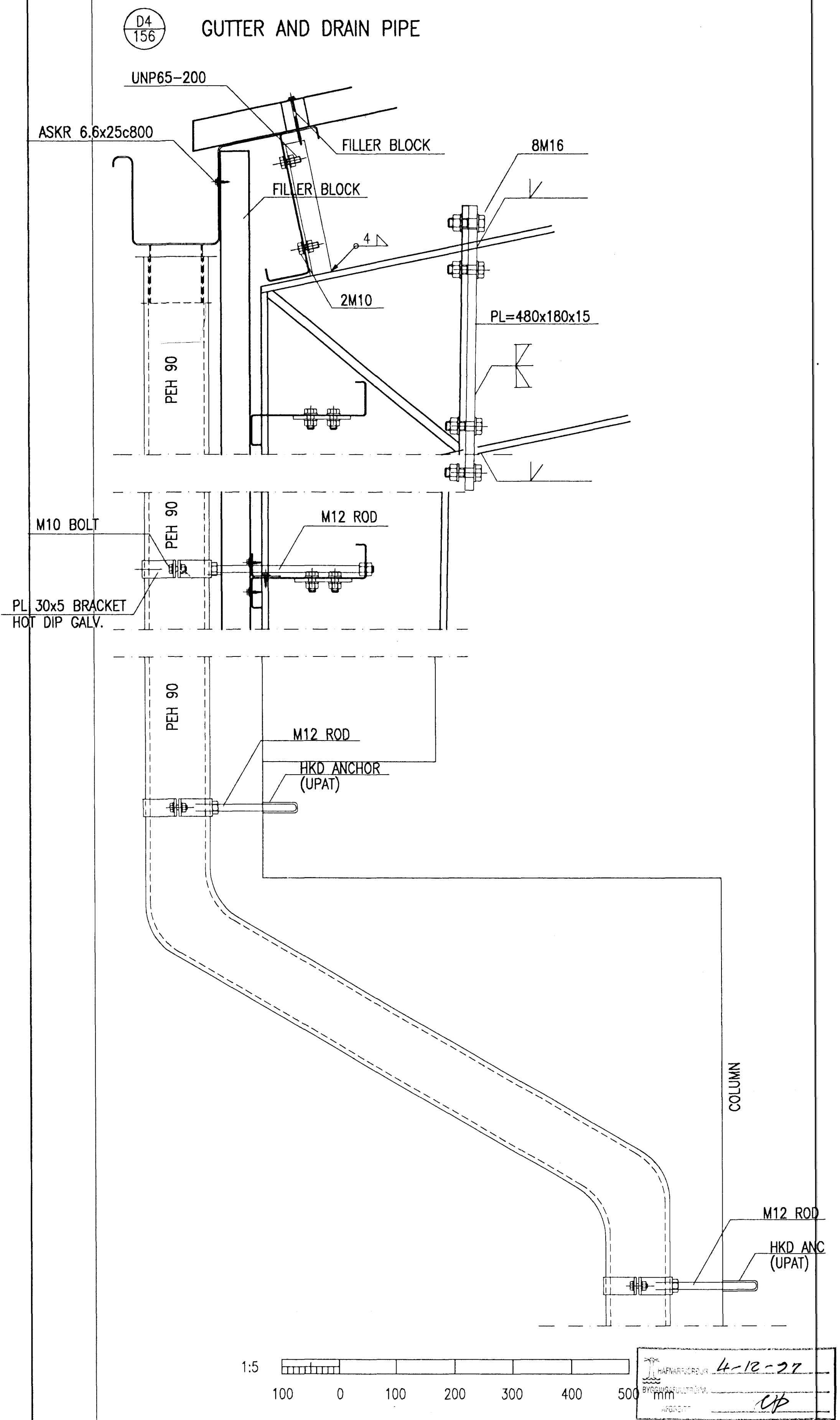
D3
156



D2
156



D4
156



VST VST CONSULTING ENGINEERS Ltd.
 Armula 4 108 Reykjavik Iceland
 Tel: +354 569 5000 Fax: +354 569 5010

95.120 - 28.161

ICELANDIC ALUMINIUM COMPANY LTD.

DRAWN	96.07.13	SHJ
APPROVED	96.07.13	NI
PROCESS	96.07.13	NI
PROJECT	96.07.13	NI
SCALE	1:5	FORMAT A1

PASSAGEWAY BUILDINGS
STRUCTURAL STEEL
DETAILS

ALUSISSE ALESA
ALUSISSE ENGINEERING LTD.
 ZURICH SWITZERLAND

79000-32261

188.261

REV. NO.	DATE	REVISION	BY	APP.	REV. NO.	DATE	REVISION	BY	APP.	NOTES	REFERENCE DRAWING	DRAWING NUMBER
1	1996.08.22	APPROVED FOR CONSTRUCTION	NI	N.I.								

This drawing is our property and given for personal use only. It may not be copied or made available to others without our permission. The receiver is responsible for any misuse.