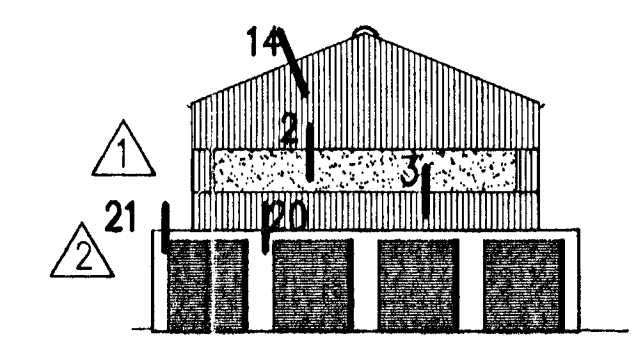
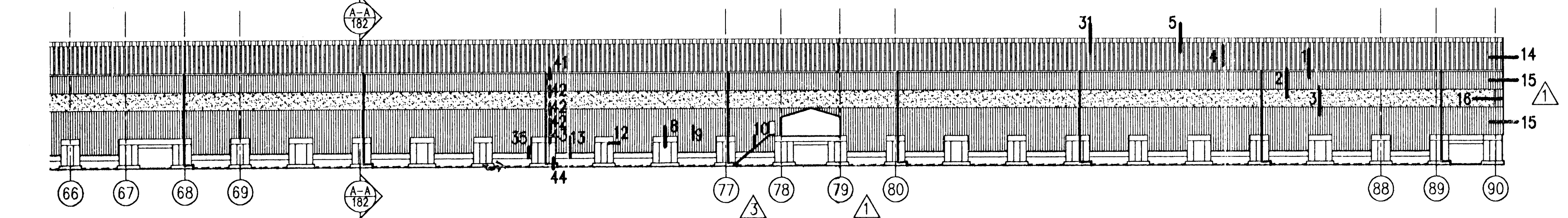
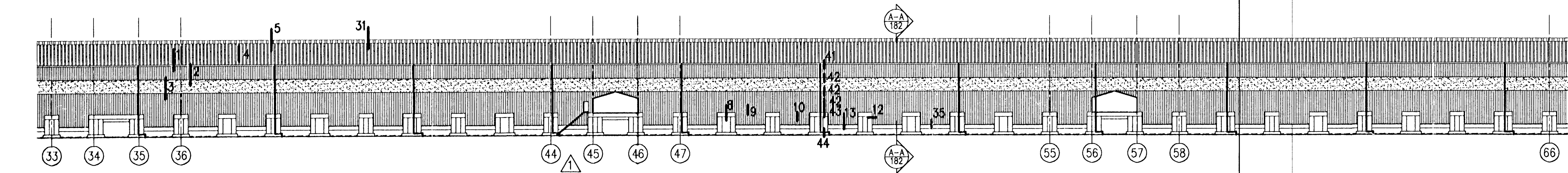
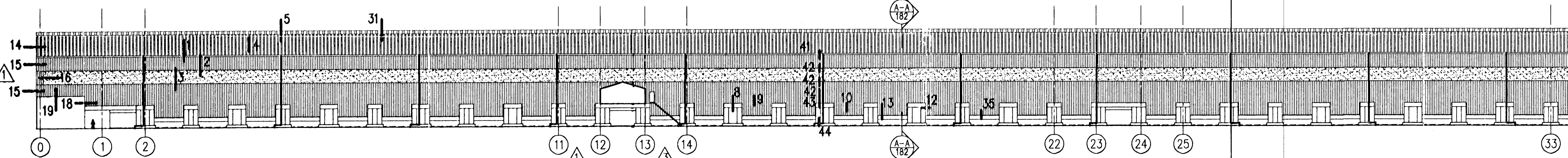


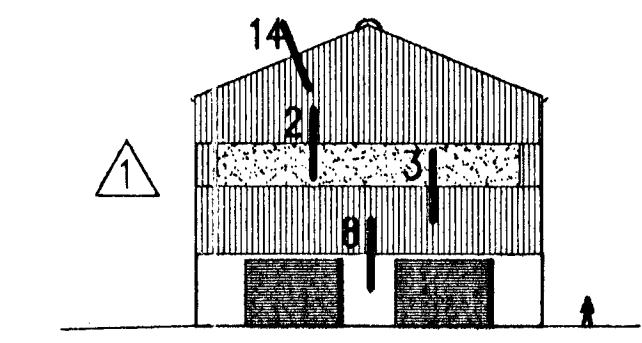
SOUTH ELEVATION



EAST ELEVATION

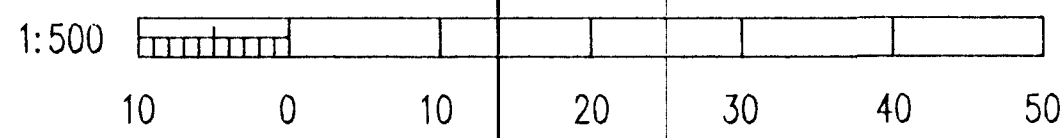


NORTH ELEVATION



WEST ELEVATION

4-12-27
Cip



REV. NO.	DATE	REVISION	BY	APP.	REV. NO.	DATE	REVISION	BY	APP.
3	20/6 1998	STAIRS, APPR. FOR CONSTR. FOR OPTION 2 STEEL STRUCT.	KS						
2	10/5 1998	DETAILS AT EAST END	NI						
1	25/3 1998	CORNER CLADD, EAST END, DOORS AND STAIRS NORTH SIDE	KS						

DETAIL	REFERENCE DRAWING	DRAWING NUMBER
DETAIL 41-44		13.189
DETAIL 35		13.187
DETAIL 31		13.186
DETAIL 14-21		13.184
DETAIL 1-13		13.183

This drawing is our property and given for personal use only. It may not be copied or made available to others without our permission. The receiver is responsible for any misuse.	

ICELANDIC ALUMINIUM COMPANY LTD.

ALUSUISSE ALUMINIUM CO. LTD.

ALUSUISSE ENGINEERING LTD. ZÜRICH SWITZERLAND

95.120 - 13.181	POTROOM NO. 3	REVISION 3
	CLADDING AND ARCH. WORK	
	GENERAL LAYOUT	
	ELEVATIONS	
79000-32681	188.081	