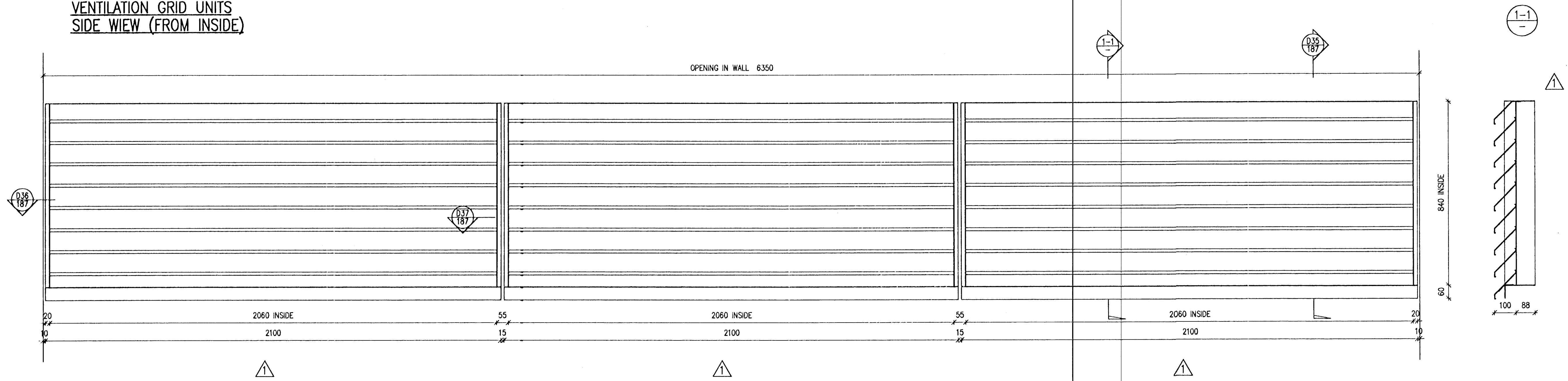
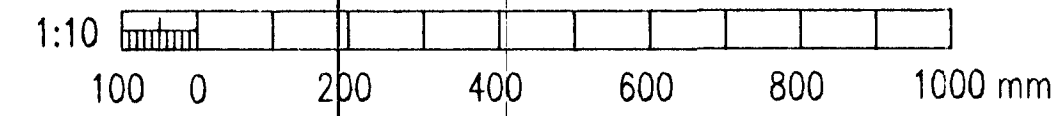
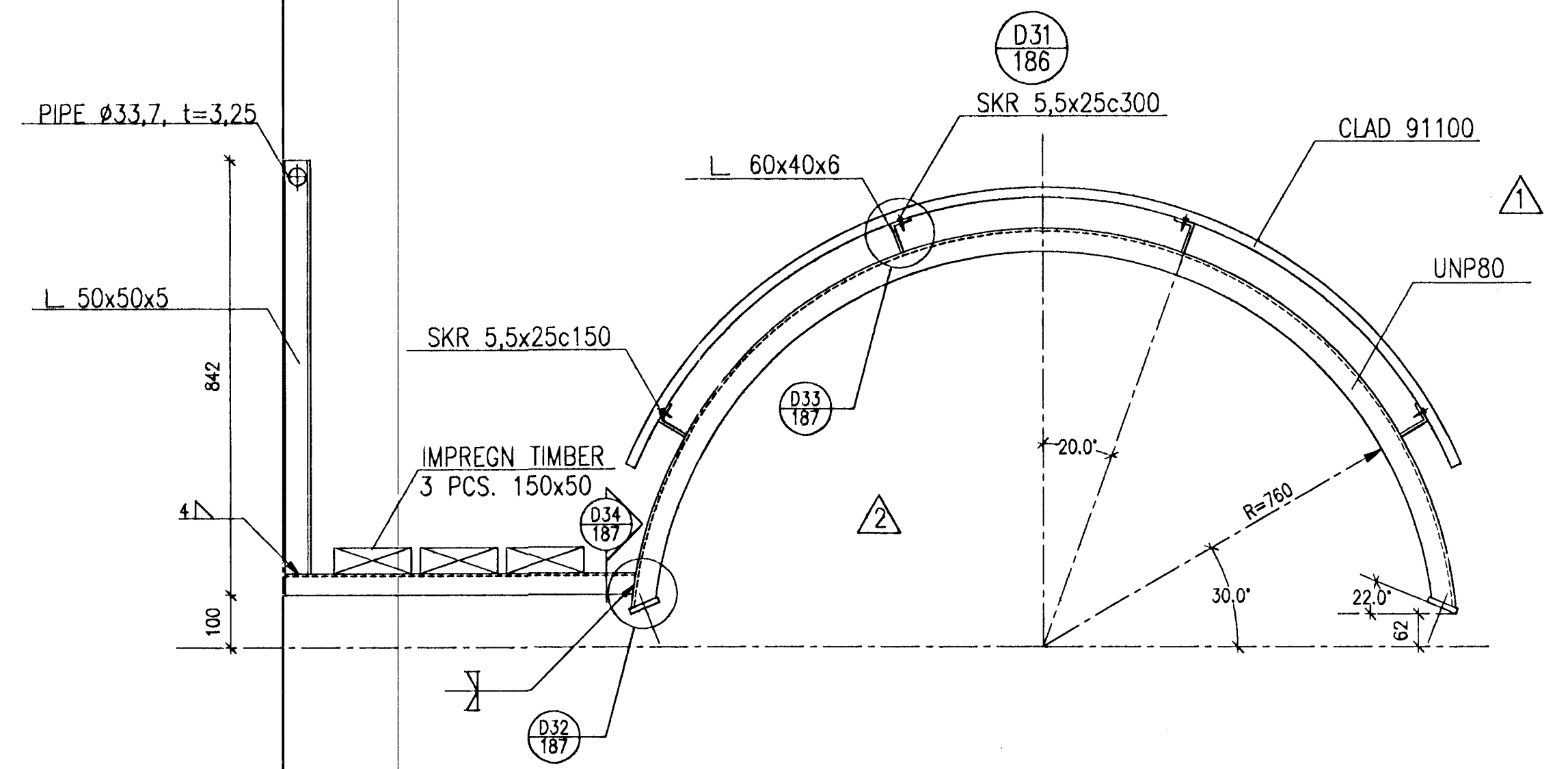
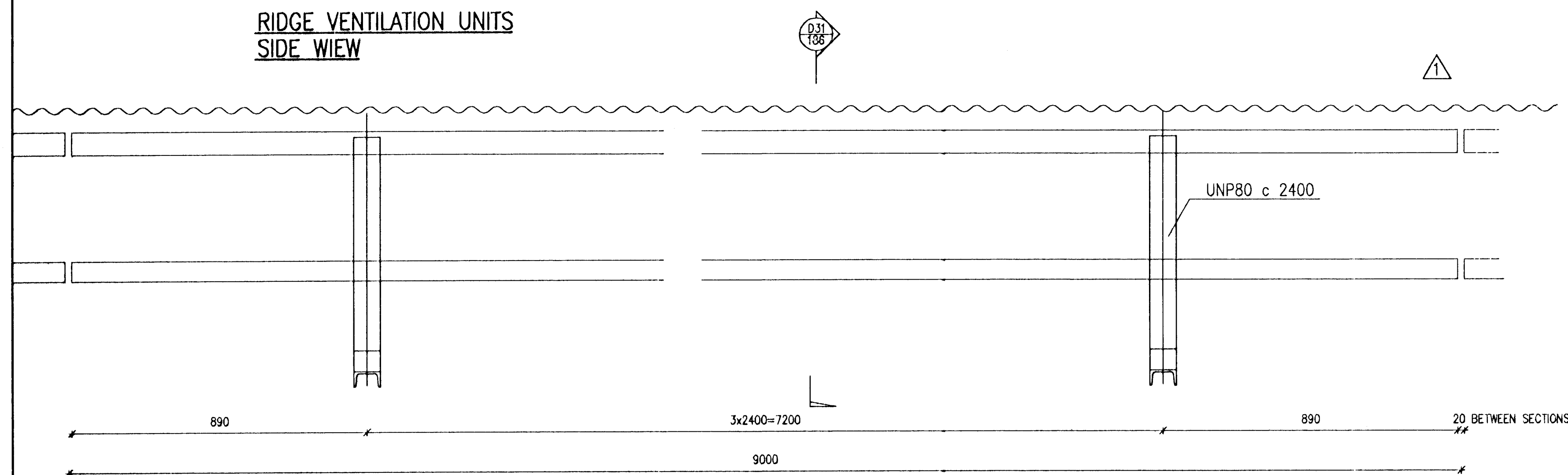


VENTILATION GRID UNITS
SIDE VIEW (FROM INSIDE)



RIDGE VENTILATION UNITS
SIDE VIEW



DATE: 9-12-97
BY: CP

REV. NO.	DATE	REVISION	BY	APP.	REV. NO.	DATE	REVISION	BY	APP.	NOTES	REFERENCE DRAWING	DRAWING NUMBER
2	20/8 1996	RIDGE VENT, APPR. FOR CONSTR. FOR OPTION 2 STEEL STR.	KS									
1	25/3 1996	GRID DETAILS AND CLADDING ON RIDGE VENTILATION	KS									

This drawing is our property and given for personal use only. It may not be copied or made available to others without our permission. The receiver is responsible for any misuse.

VST CONSULTING ENGINEERS Ltd. Armula 4 108 Reykjavik Iceland Tel: +354 569 5000 Fax: +354 569 5010	DRAWN DEC. 1995 KS APPROVED DEC. 1995 KS PROCESS DEC. 1995 NI PROJECT DEC. 1995 NI	POTROOM NO. 3 CLADDING AND ARCH. WORK VENTILATION GRIDS AND RIDGE VENTILATION GRID UNITS
	SCALE 1:10 FORWAT AT	95.120 - 13.186
ALUSUISSE ENGINEERING LTD. ZURICH SWITZERLAND	79000-32686	2
ICELANDIC ALUMINIUM CO. LTD	188.086	