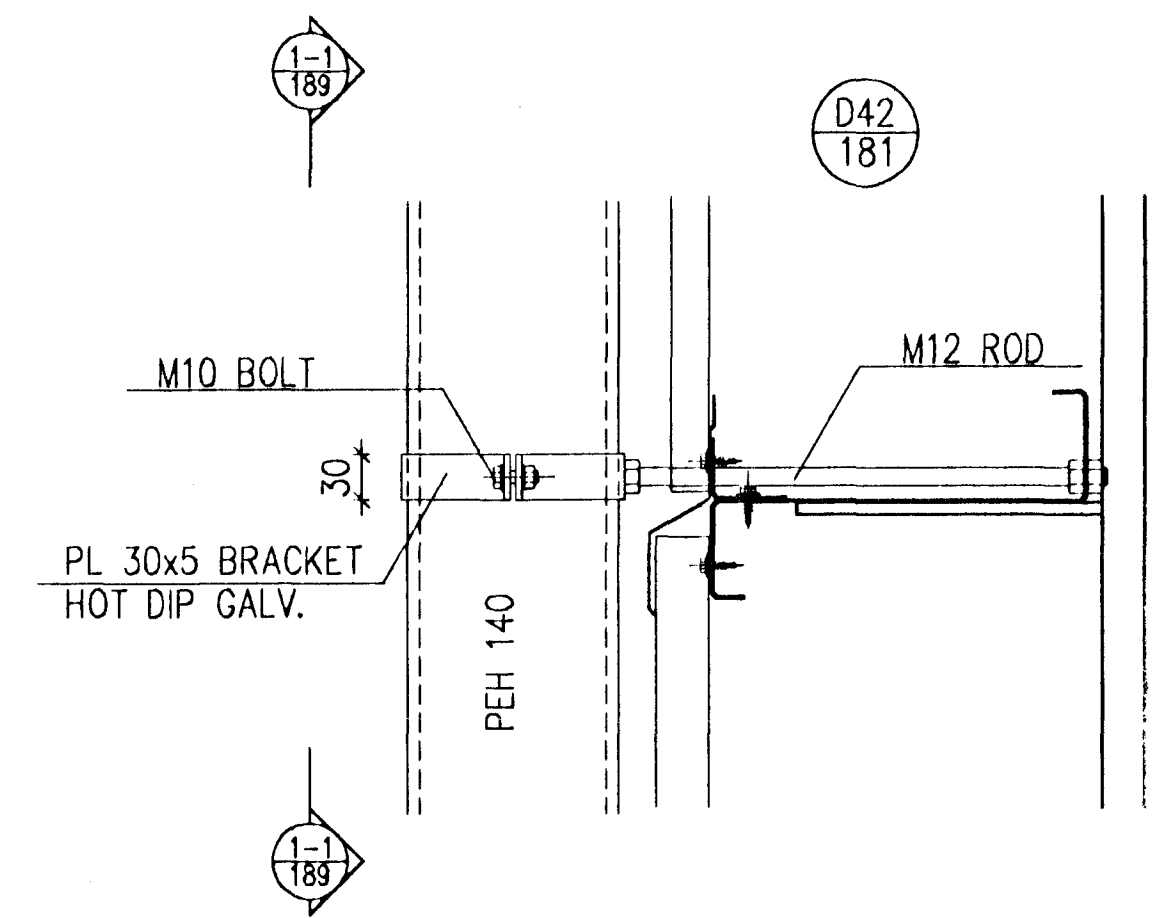
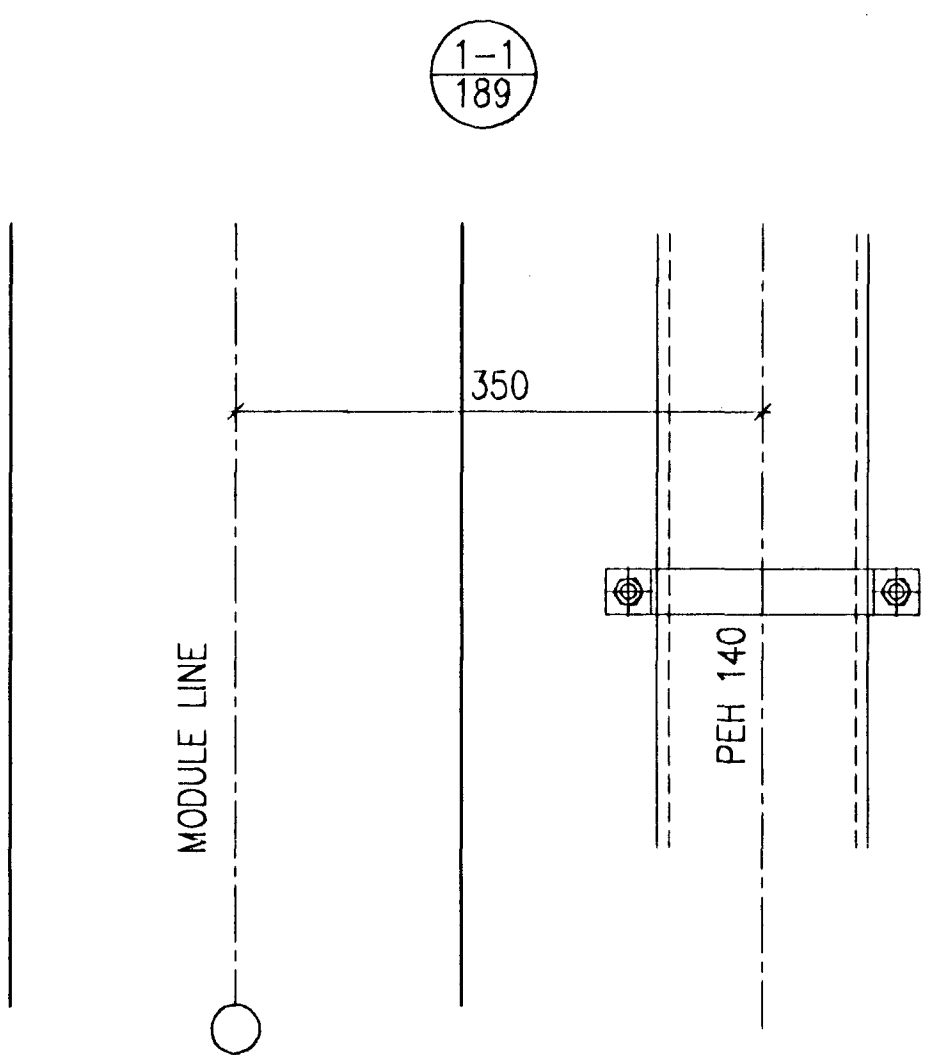


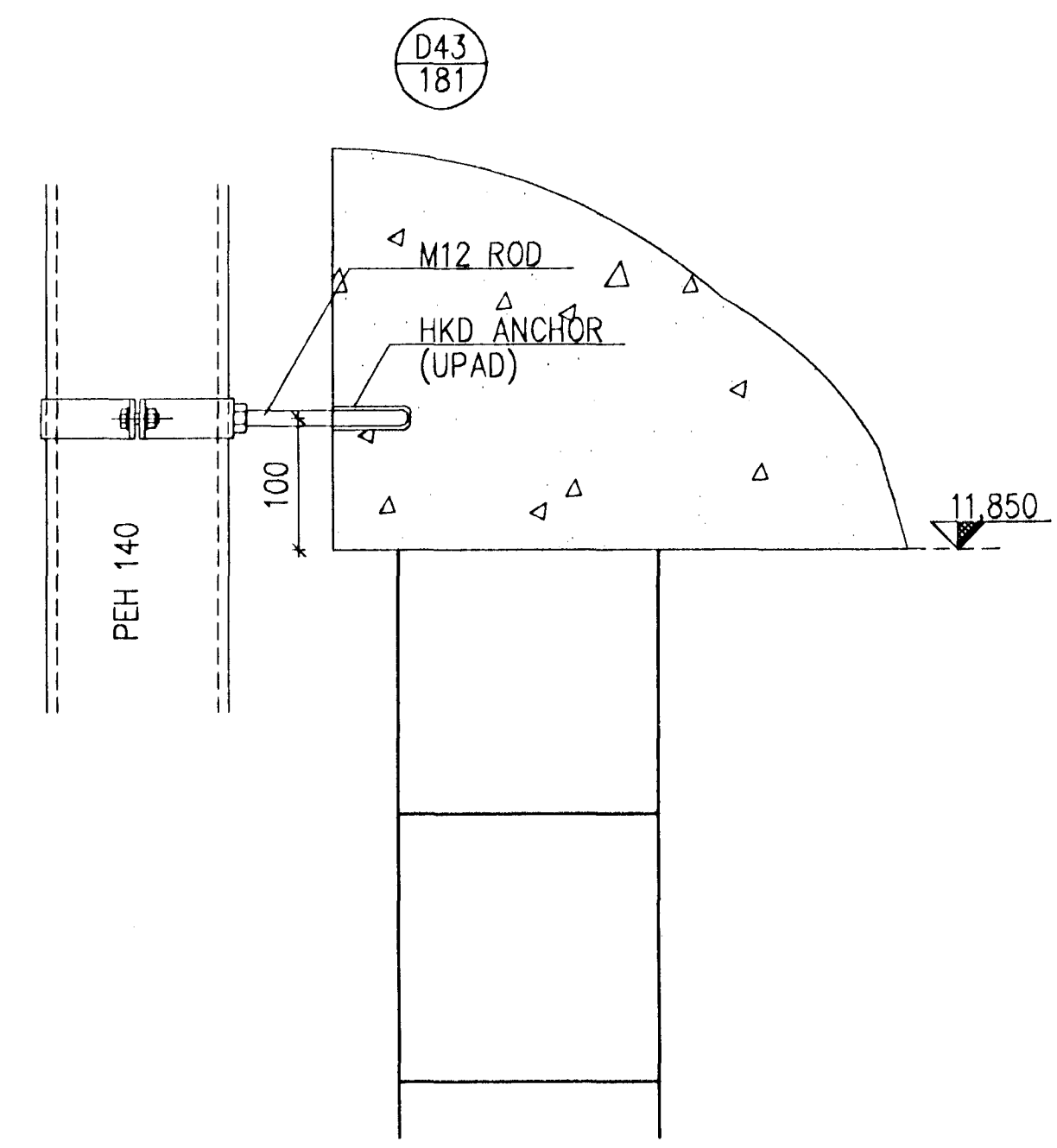
D41
181



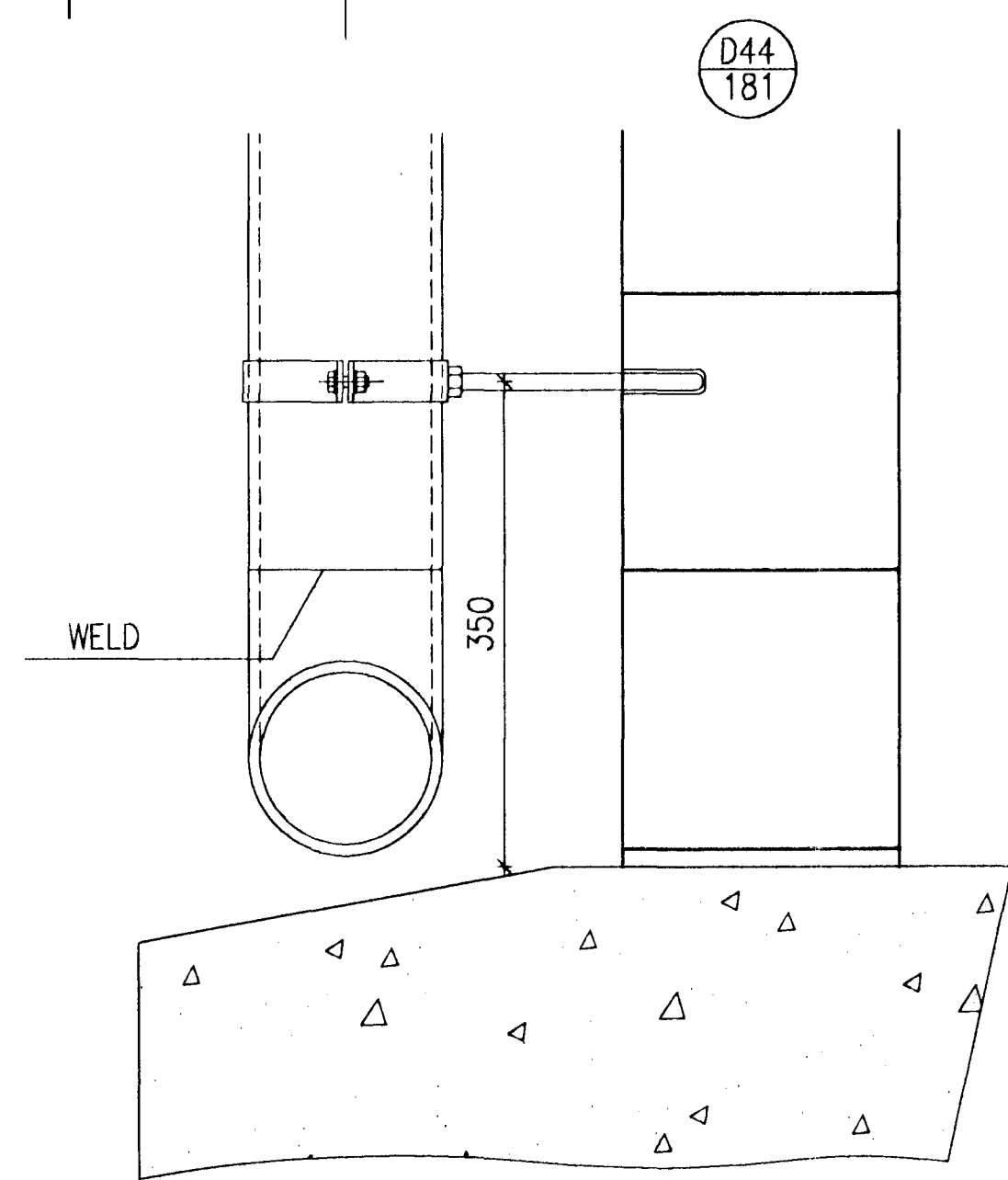
D42
181



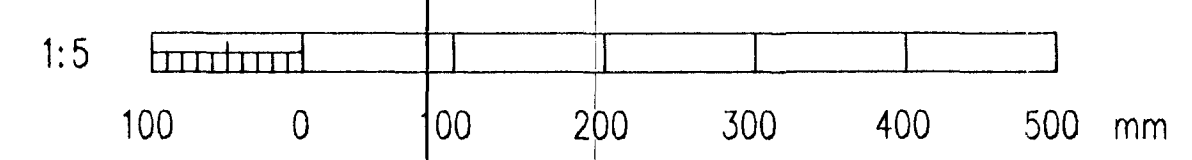
D43
189



D44
181



D45
181



4-12-97
ep

REV. NO.	DATE	REVISION	BY	APP.	REV. NO.	DATE	REVISION	BY	APP.	NOTES	REFERENCE DRAWING	DRAWING NUMBER
2	20/6 1996	APPR. FOR CONSTR. FOR OPTION 2 STEEL STRUCTURE		KS								
1	25/3 1996	NEW DRAWING NUMBER, DETAILS RENAMED		KS								

This drawing is our property and given for personal use only. It may not be copied or made available to others without our permission. The receiver is responsible for any misuse.

VST VST CONSULTING ENGINEERS Ltd.
 Armula 4 108 Reykjavik Iceland
 Tel: +354 569 5000 Fax: +354 569 5010

ICELANDIC ALUMINIUM COMPANY LTD

ALUSUISSE ALESA

ALUSUISSE ENGINEERING LTD.
 ZURICH SWITZERLAND

ICELANDIC ALUMINIUM CO. LTD

95.120 - 13.189	POTROOM NO. 3 CLADDING AND ARCH. WORK GUTTERS AND DOWNSPOUTS DETAILS	2
79000-32689		
188.089		