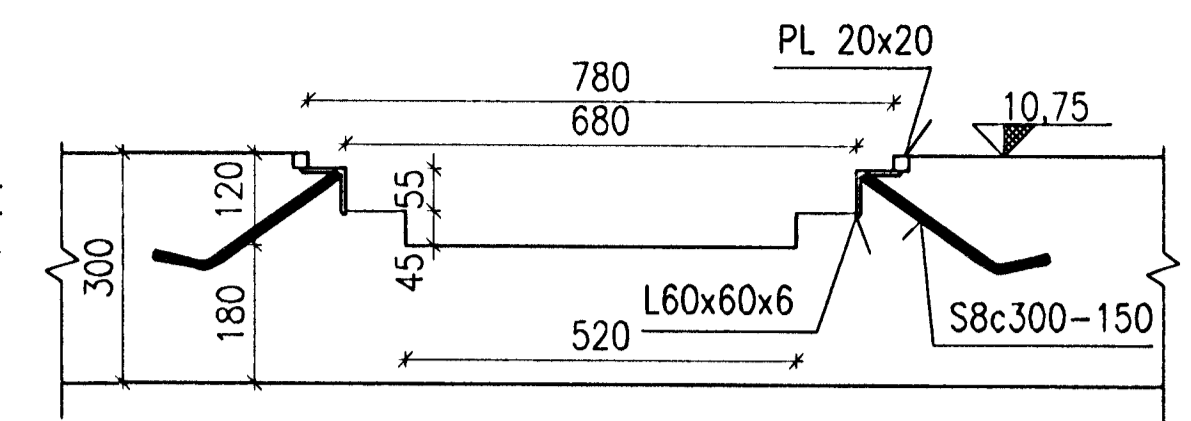
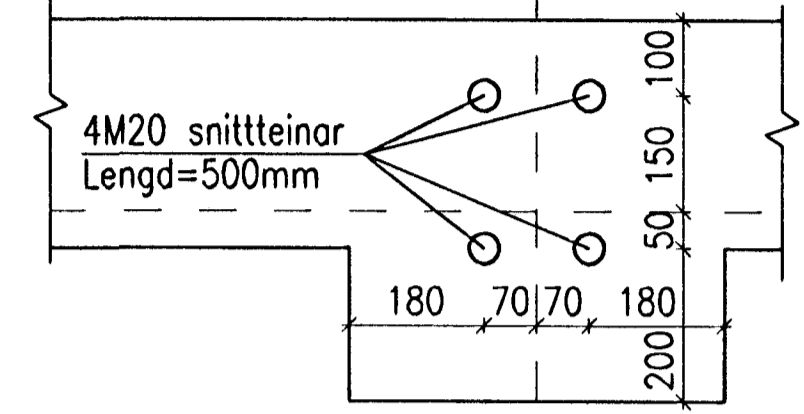


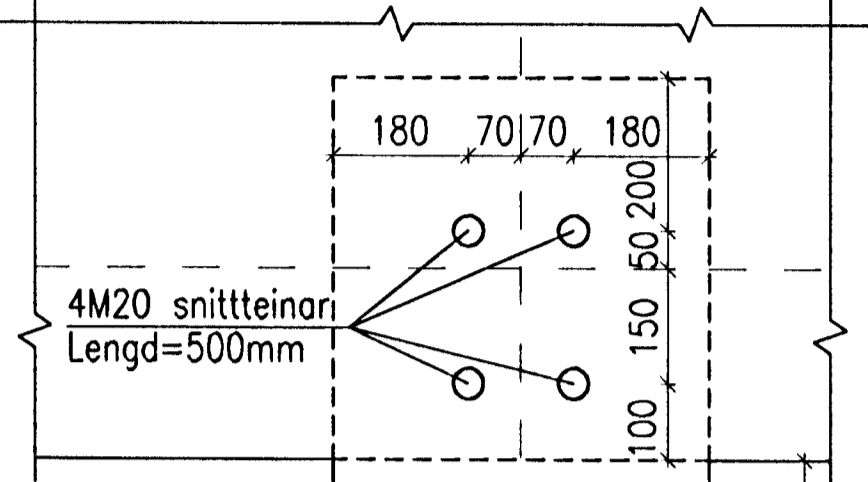
P1 PLATA, PLAN, 1:100



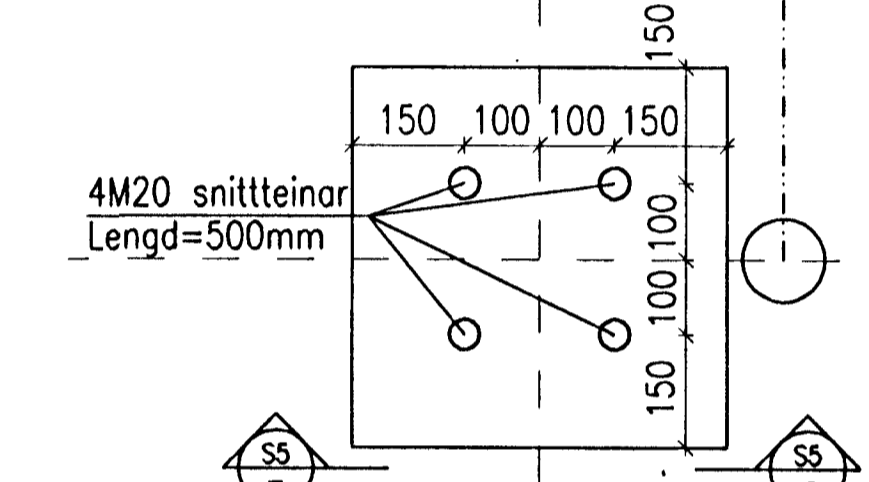
S1 PLATA, SNID, 1:10



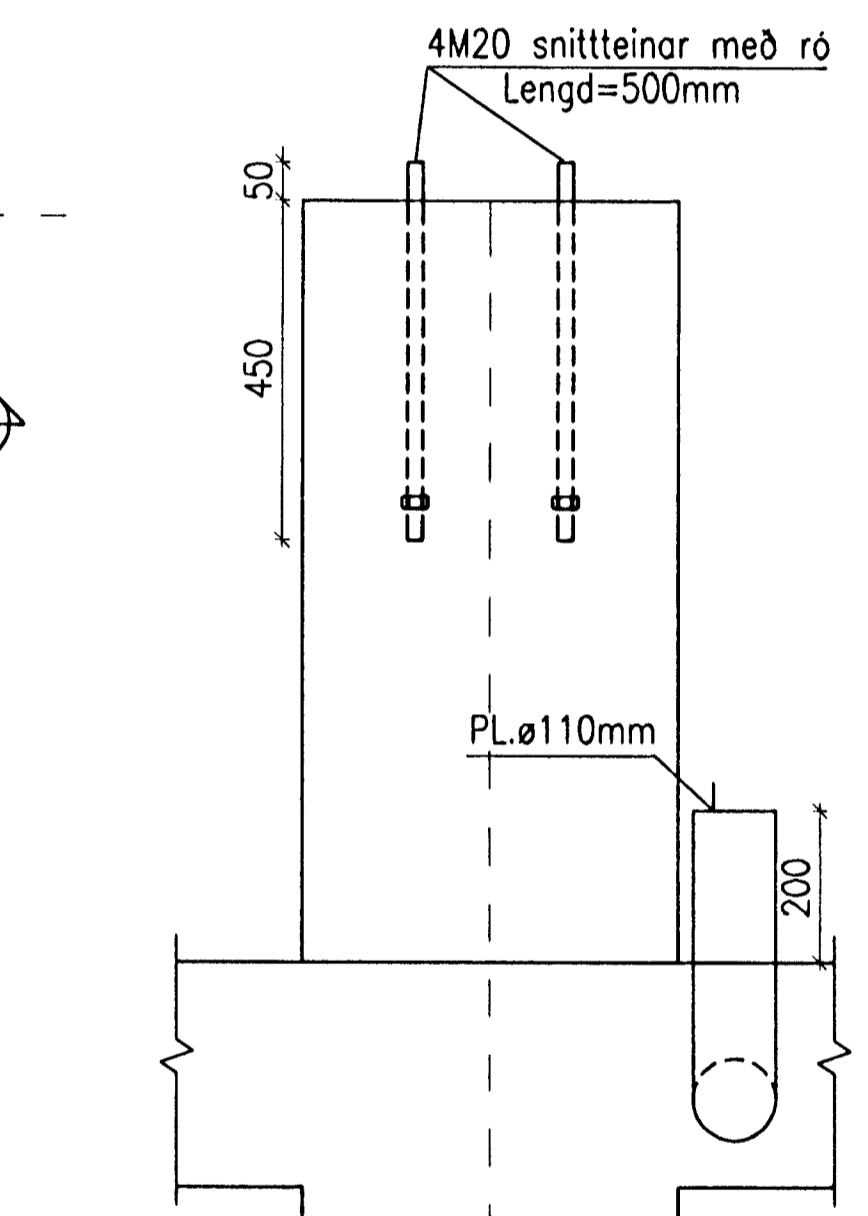
S2 PLATA, SNID, 1:10



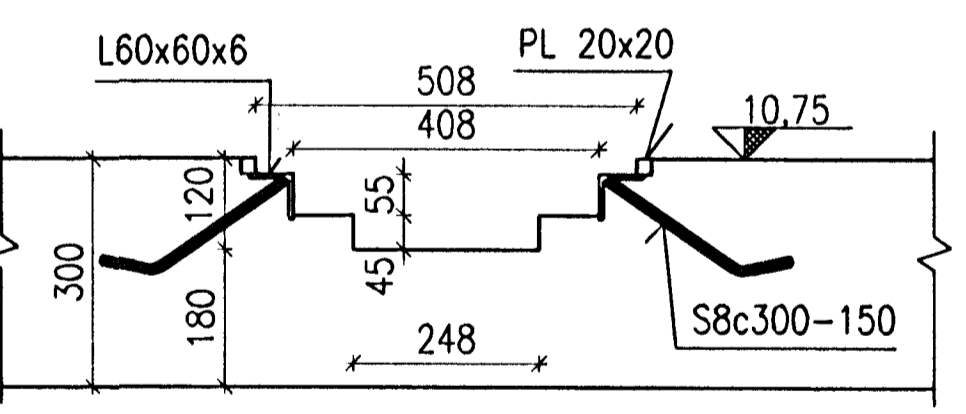
S3 PLATA, SNID, 1:10



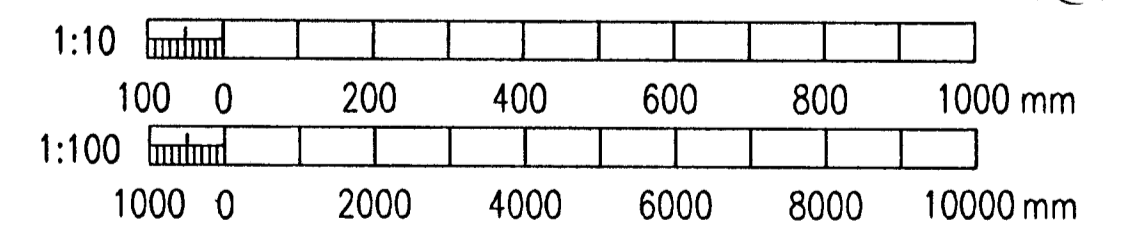
S4 PLATA, SNID, 1:10



S5 PLATA, SNID, 1:10



S6 PLATA, SNID, 1:10



Skýringar:  
Explanations:  
Öll mál eru í millimetrum, hæðir er í metrum yfir sjávarmáli.

This drawing is the property of the ICELANDIC ALUMINIUM CO. LTD. and handed out for personal use only. It may neither be copied nor made available to others without permission of the ICELANDIC ALUMINIUM CO. LTD. The receiver is liable for any misuse.		Fjöldi stúkkja Number of pieces IV III II I	Hlutur Object SKAUTHREINSISTÖÐ STEYPT PLATA, MÁLTEIKNING PLAN, SNID	Hlutur Object SKAUTHREINSISTÖÐ STEYPT PLATA, MÁLTEIKNING PLAN, SNID	Málsvæði Scale 1:100
Teykt Drawn HFB/NI JÚNÍ 1999	Yfirgrá Checked NI	Samskipti Approved NI	Samskipti Approved NI	Samskipti Approved NI	Samskipti Approved NI
Teykt Drawn HFB/NI JÚNÍ 1999	Yfirgrá Checked NI	Samskipti Approved NI	Samskipti Approved NI	Samskipti Approved NI	Samskipti Approved NI

14 JUNÍ 1999  
HAFNARFJORDUR  
BYGGINGAFLUTRI  
Wald