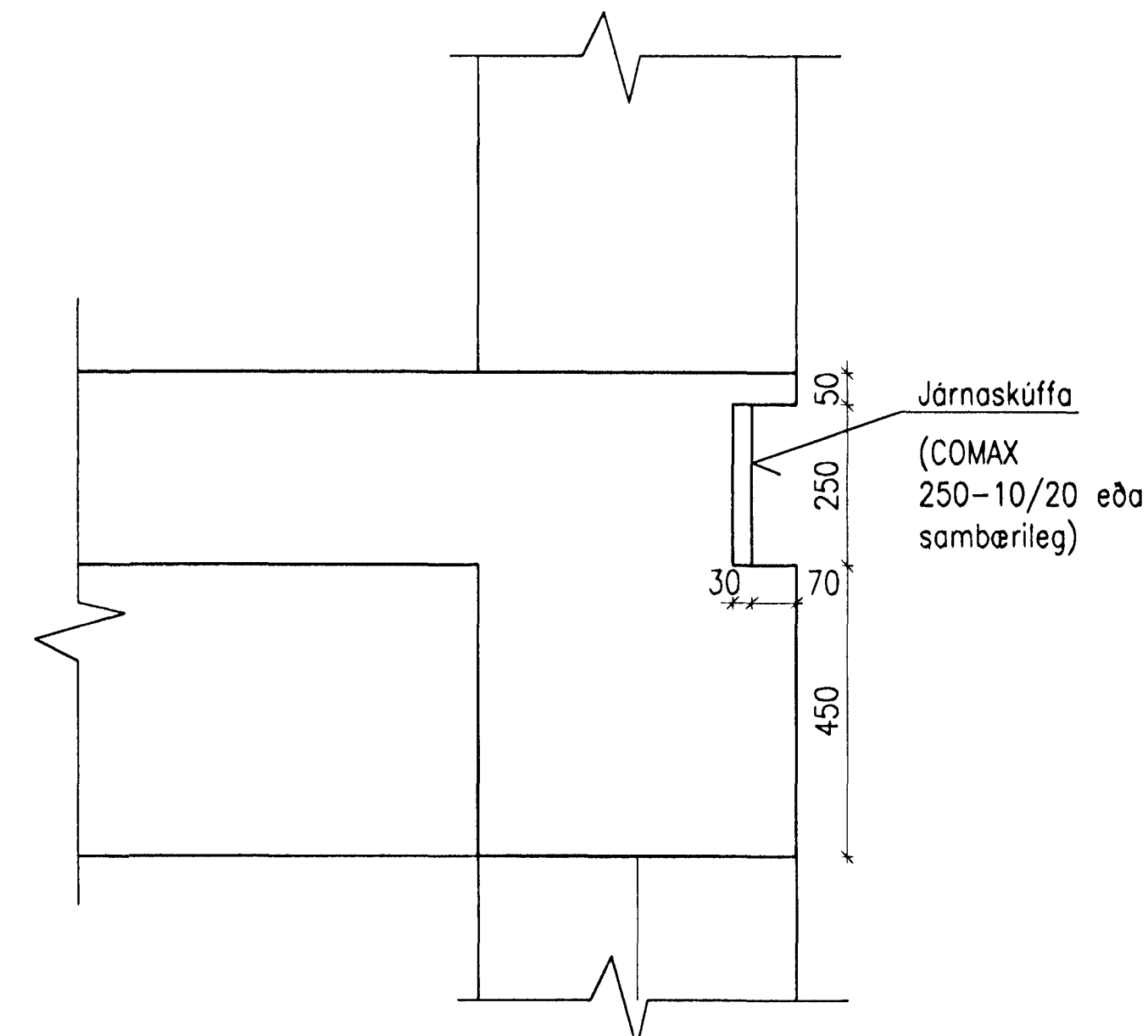
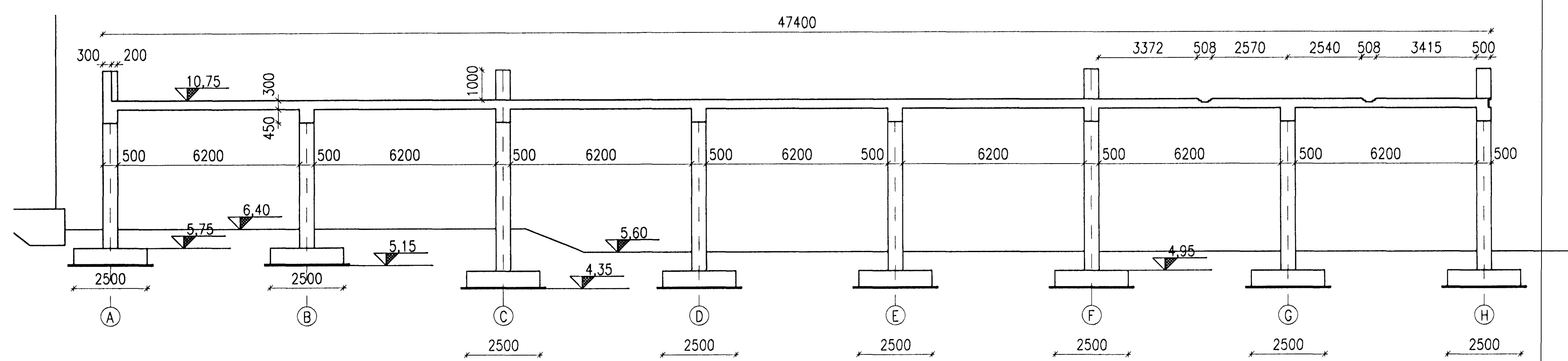


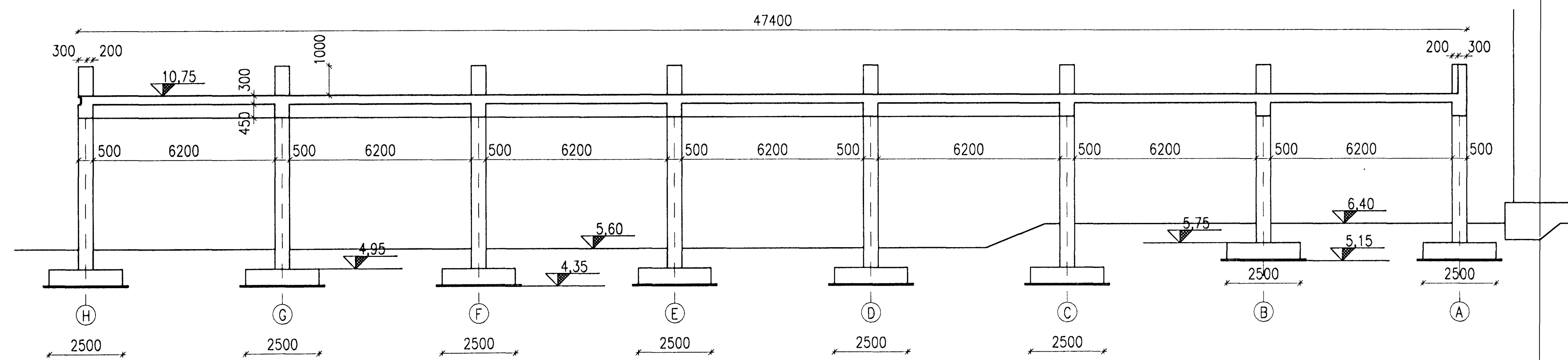
S3
1.02
SNID, 1:100



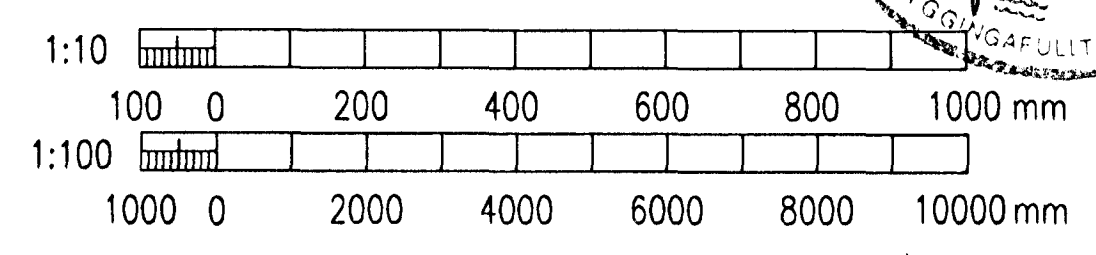
D1
-
SNID, 1:10



S4
1.02
SNID, 1:100



S5
1.02
SNID, 1:100



Skýringar:
Explanations:

Öll mál eru í millimetrum, hæðir eru í metrum yfir sjávarmáli.

J:\99-1XX\99102\DWG\STEYPUVIRKIN\SL-103.DWG

This drawing is the property of the ICELANDIC ALUMINIUM CO. LTD. and handed out for personal use only. It may neither be copied nor made available to others without permission of the ICELANDIC ALUMINIUM CO. LTD. The receiver is liable for any misuse.

Fjöldi stúkkja Number of pieces	Hiður Object	Alitíðni Item	Efni Material	sg. stik Weight (kg)	total í heild Total (kg)	Athugasemdir Remarks
IV III II I	SKAUTHREINSISTÖÐ					Málsvári Scale 1:100
	STEYPA, MÁLTEIKNING					Slagframtalni Format of obj. A1
	SNID					CCNo-EqType-Eqno
	VST Verkfræðistofa Sigurður Thorodsson hf.					Dr. no. of suppl. / Teknir. notaðar Breyt./Rev
	99.102-01.03					
	Teknað Drawn	HFB/NI	JÚNÍ 1999	Týfarið Checked	NI	Samb.Ákt. Approved
	ISAL					Dr. no. of ISAL / Teknir. ISAL Breyt./Rev
	ICELANDIC ALUMINIUM CO. LTD.					
	Straumsvík, IS-220 Hafnarfjörður, Iceland					
	Teknað Drawn					Samb.Ákt. Approved

W. (und)