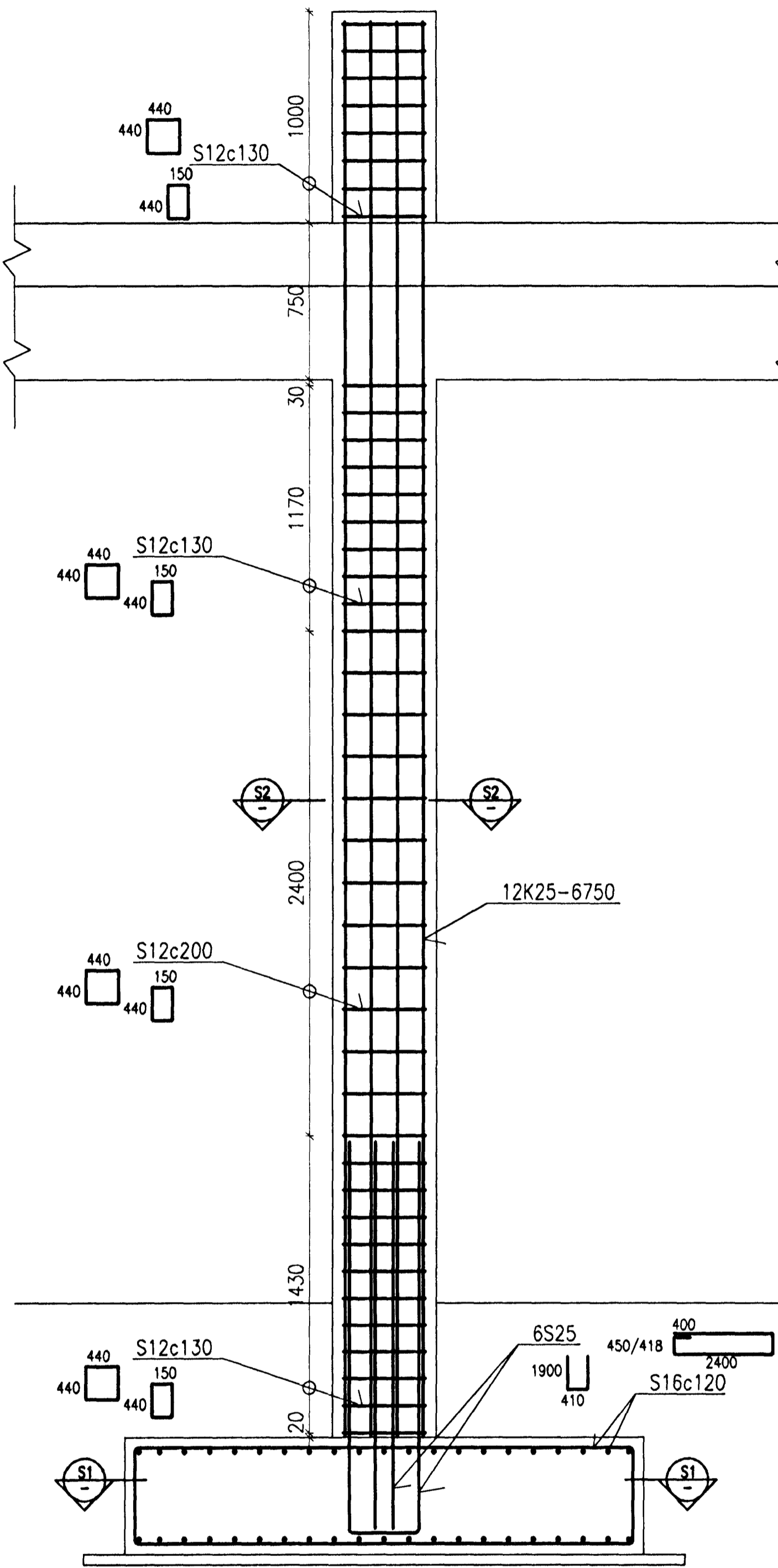
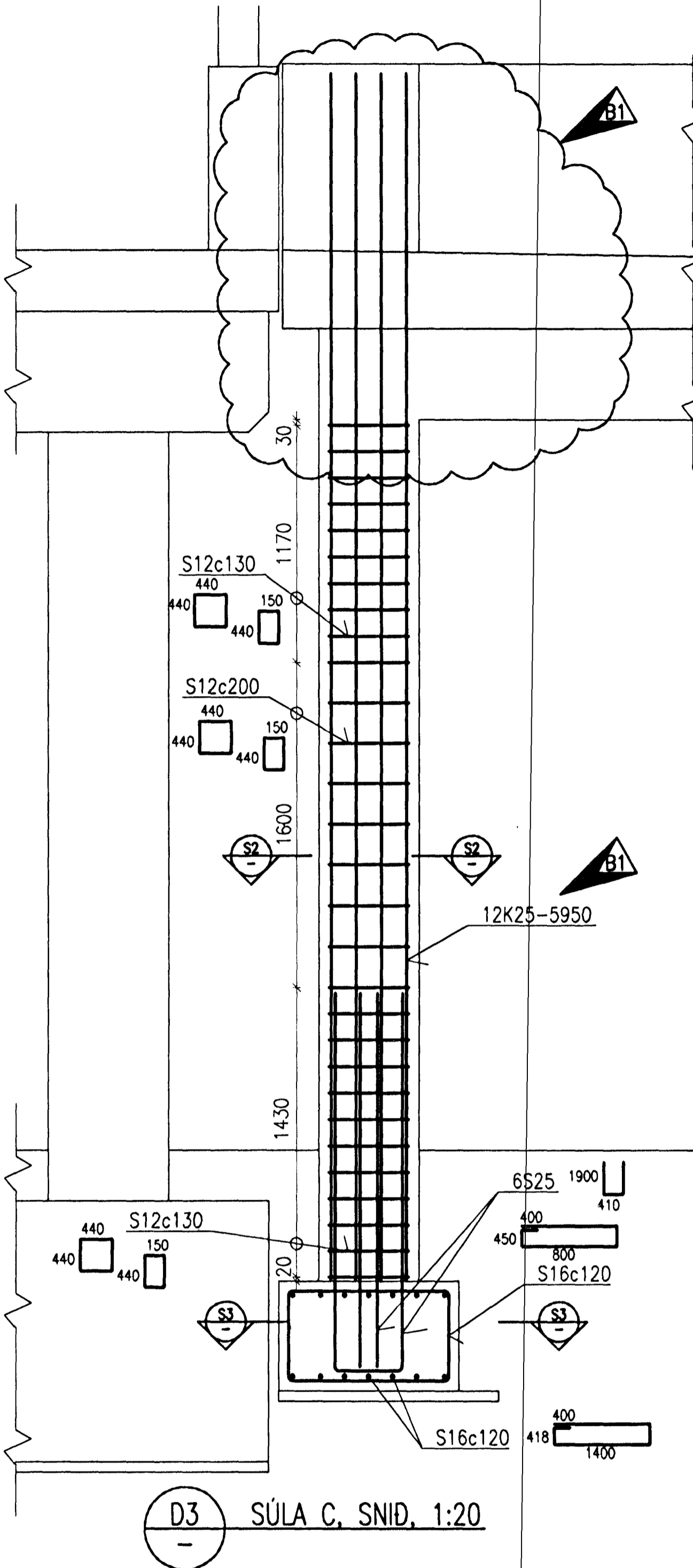


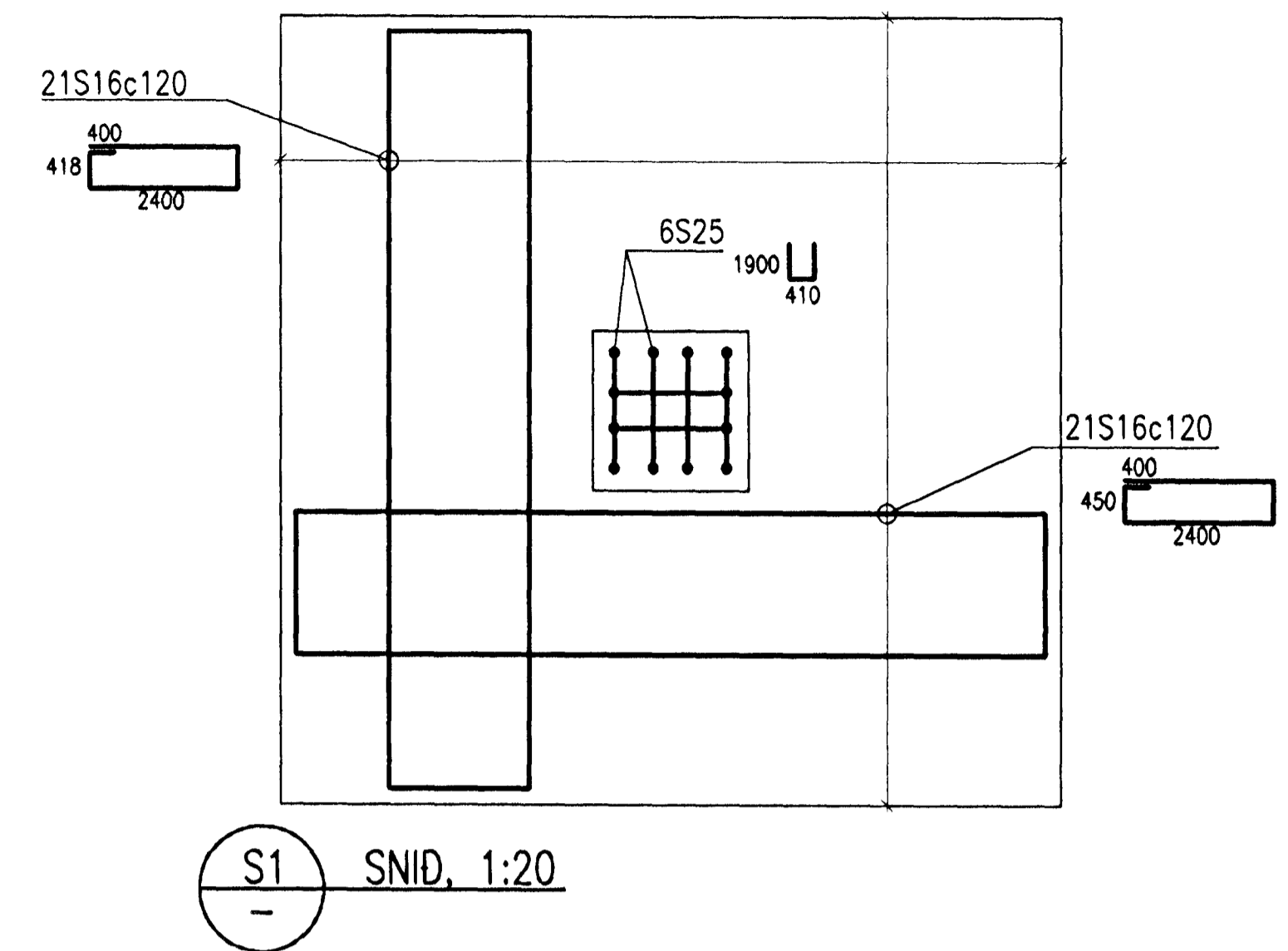
D1 SÚLA A, SNID, 1:20



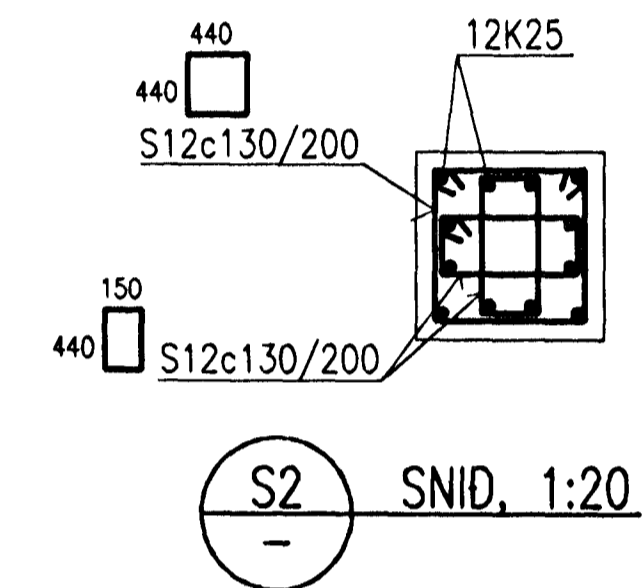
D2 SÚLA B, SNID, 1:20



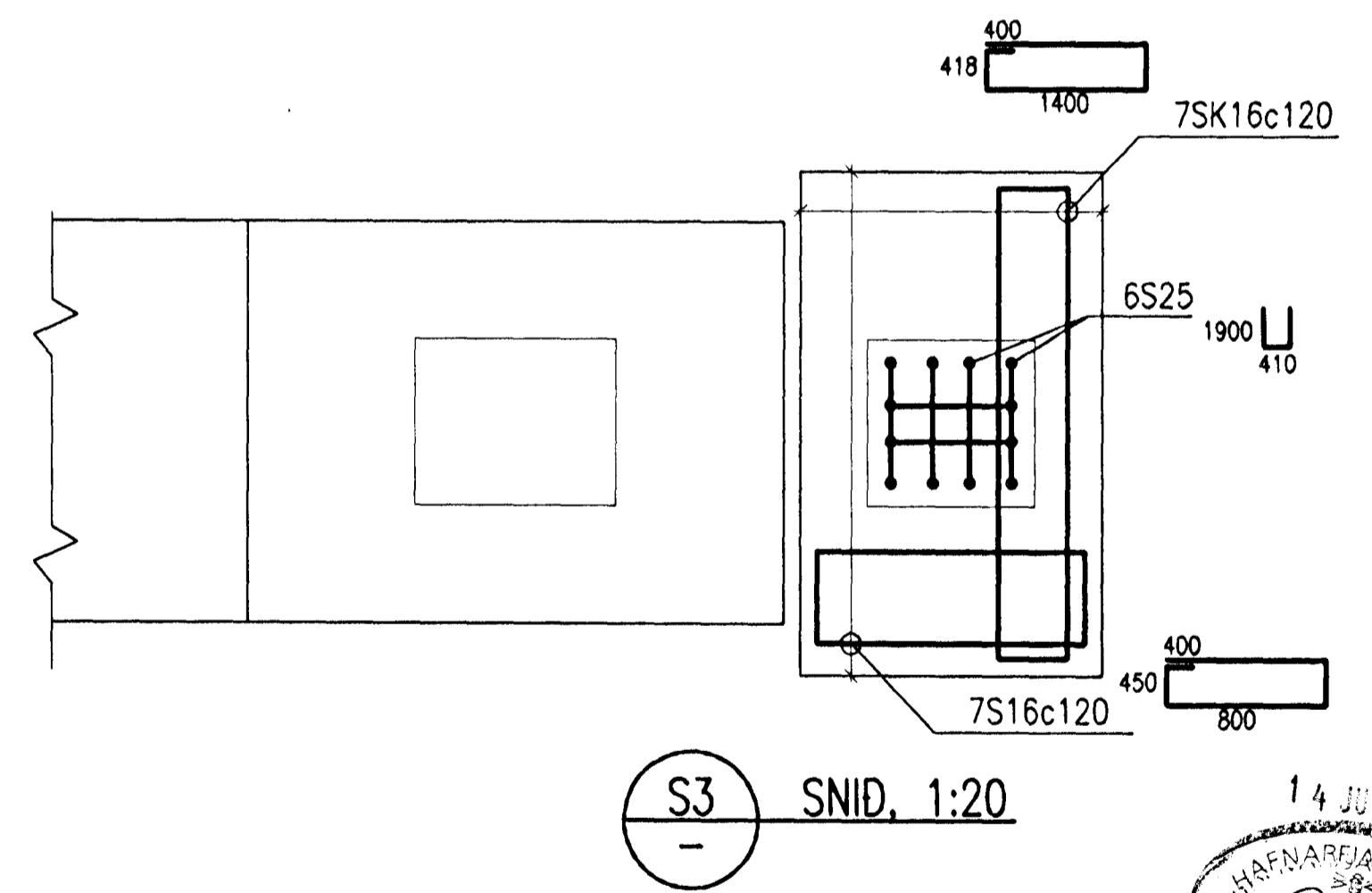
D3 SÚLA C, SNID, 1:20



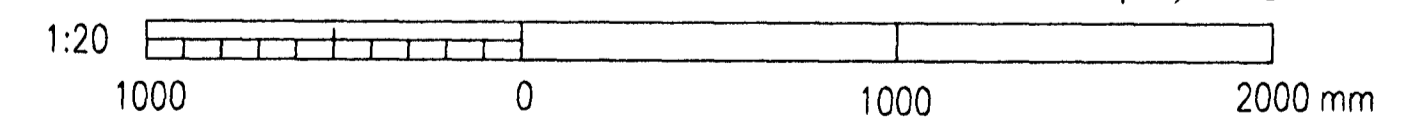
S1 SNID, 1:20



S2 SNID, 1:20



S3 SNID, 1:20



Skýringar:
Explanations:
Öll mól eru í millimetrum.

Steypa: C30/37-38-S2-Ae

Breyt. Rev.	Breyting Revision	Dagur Date	Gerð af Made by	Sambýkt Approved
B1	Bendingu breytt	08/06/99	HFB	NI

This drawing is the property of the ICELANDIC ALUMINIUM CO. LTD. and handed out for personal use only. It may neither be copied nor made available to others without permission of the ICELANDIC ALUMINIUM CO. LTD. The receiver is liable for any misuse.

Fjöldi stúkkja Number of pieces	Hútur Object	Altit. Item	Efni Material	Þeg. stik Weight (kg)	Ístak. í heild Total in piece	Althugsamerdir Remarks
IV III I I I	SKAUTHREINSISTÖÐ STEYPTAR SÚLUR, JÁRNBENDING SNID					1:20 Staðfrumtekin Format of org. A1 Öðna-Eq-type-Eq.no
	VST Verkfræðistofa Sigurður Thordósson Mfr.					99.102-01.10 B1
Teknið Drawn	HFB/NI MAI 1999	Týflgráð Checked	NI			Sambýkt Approved Wills Indur A.
	ICELANDIC ALUMINIUM CO. LTD. Straumsvík, IS-220 Hafnarfjörður, Iceland					

14 JUNI 1999
HAFNARFJÖRÐARVEF
BYGGINGAUFULTRU
Wills