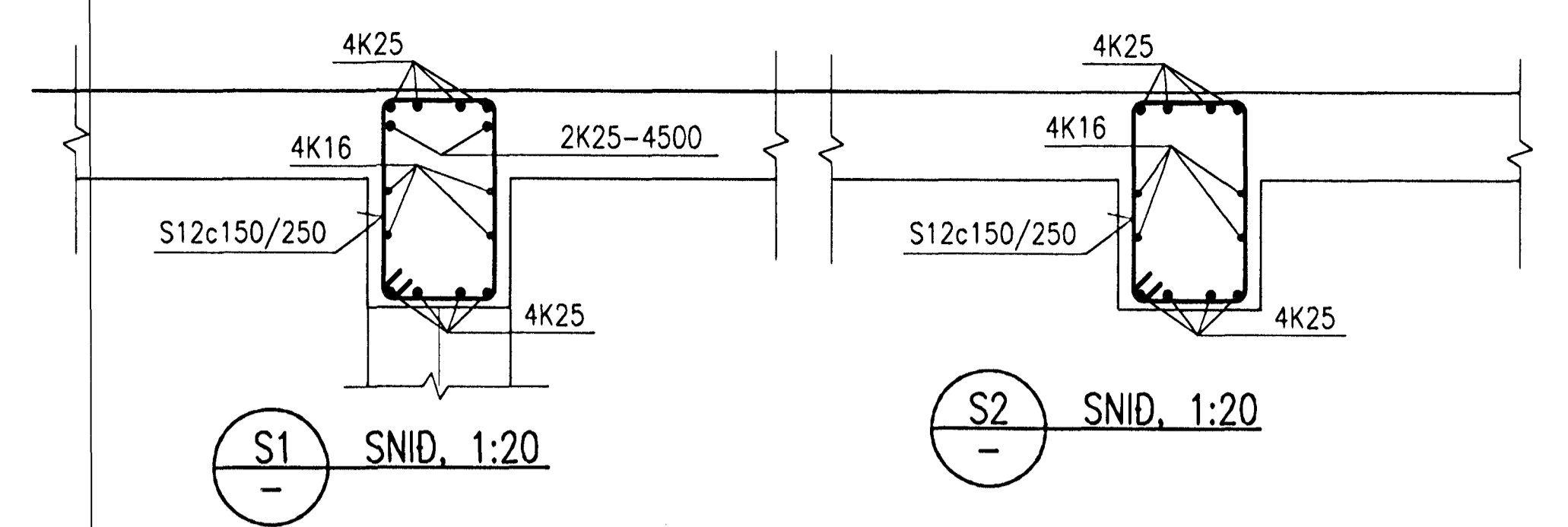
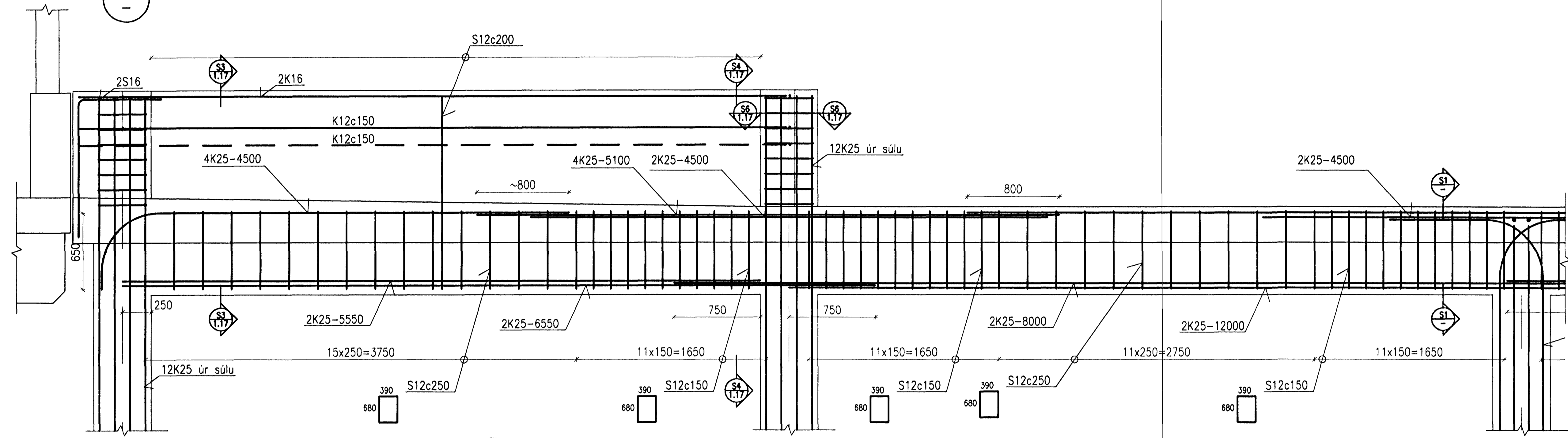


B4 BITI 4, SNID, 1:100

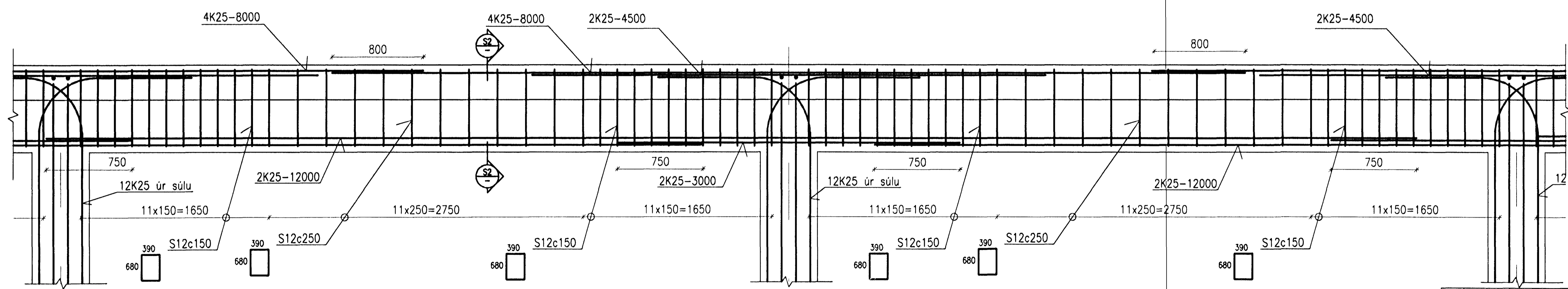


S1 SNID, 1:20

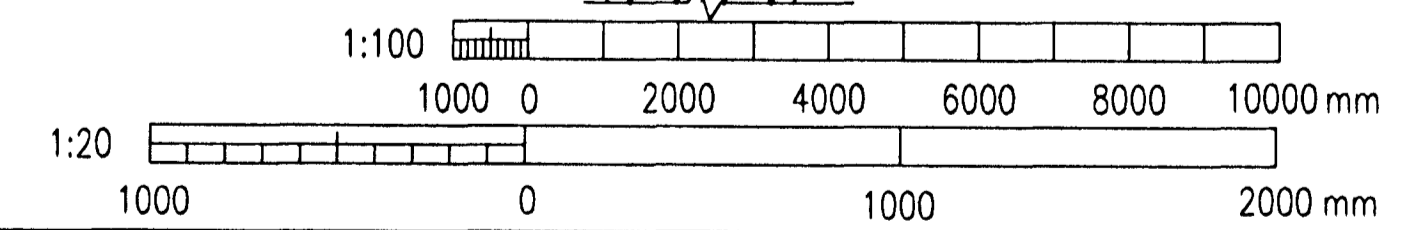
S2 SNID, 1:20



V7 BITI 4, SNID, 1:20



V8 BITI 4, SNID, 1:20



Skýringar:
Explanations:
Öll mál eru í millimetrum

This drawing is the property of the ICELANDIC ALUMINIUM CO. LTD. and handed out for personal use only. It may neither be copied nor made available to others without permission of the ICELANDIC ALUMINIUM CO. LTD. The receiver is liable for any misuse.

Fjöldi stúkkja Number of pieces	Heiti Object	Atriði Item	Efni Material	sg. stk Weight (kg)	total í heild Total in total	Athugasemdir Remarks
IV III II I	SKAUTHRINSIÐÓD					Málsvári Scale 1:20
	STEYPTIR BITAR, JÄRN BENDING					Stærð í millimetrum Format of dim. A1
	BITI 4					CCNo-EqType-Eqno.
	VST Verkfróðastofa Sigurður Thorgeirsson M. www.vst.is Reykjavík, Síma 588 5000 Fax 588 5010					Draga af mynd / Drawn from 99.102-01.16
	Teknað Drawn	HFB/NI	JÚNÍ 1999	Yfirfarið Checked	Sambúið Approved	Nielsen, S.
	ISAL ICELANDIC ALUMINIUM CO. LTD. Straumsvík, IS-220 Hafnarfjörður, Iceland					Draga af ISAL / Drawn from ISAL Draga af mynd / Drawn from Draga af mynd / Drawn from
	Teknað Drawn			Yfirfarið Checked	Sambúið Approved	

Breyt. Rev.	Breyting Revision	Daga Date	Gert af Made by	Sambúið Approved