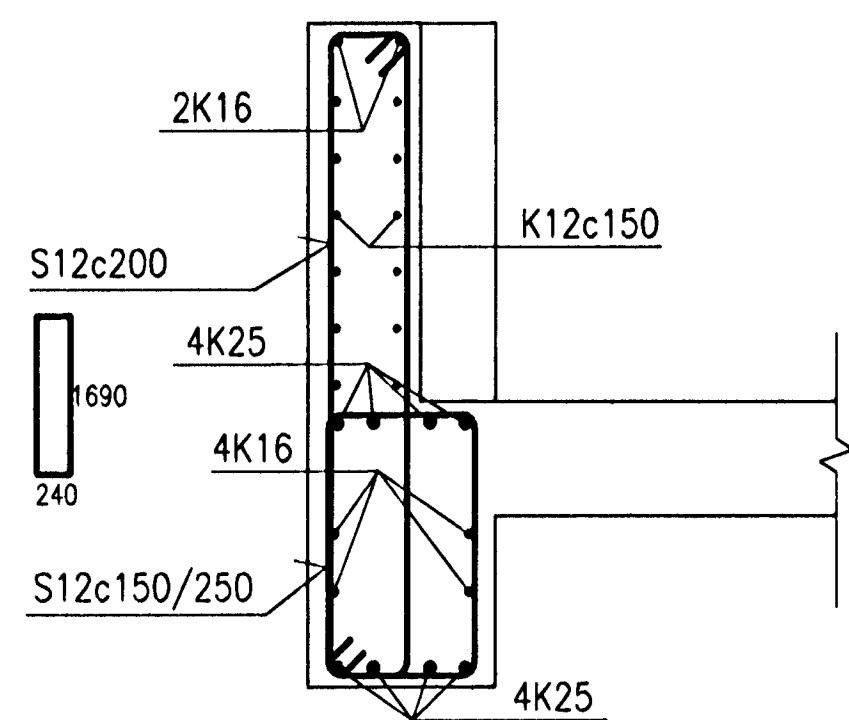
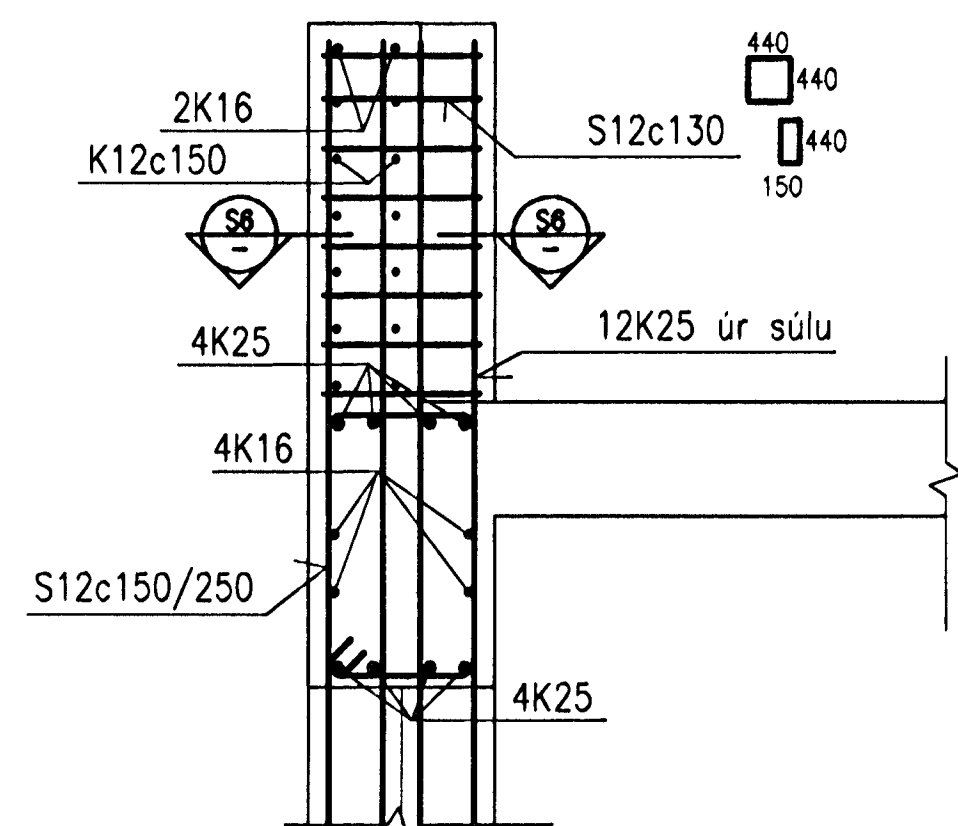


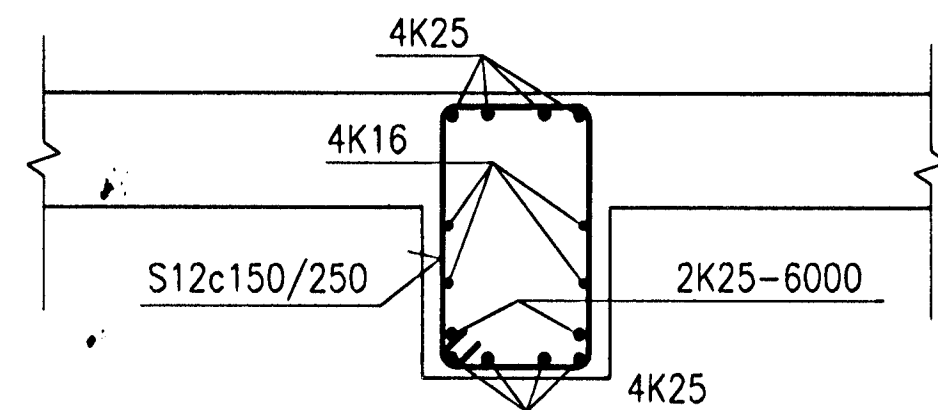
V9 BITI 4, SNID, 1:20
1.16



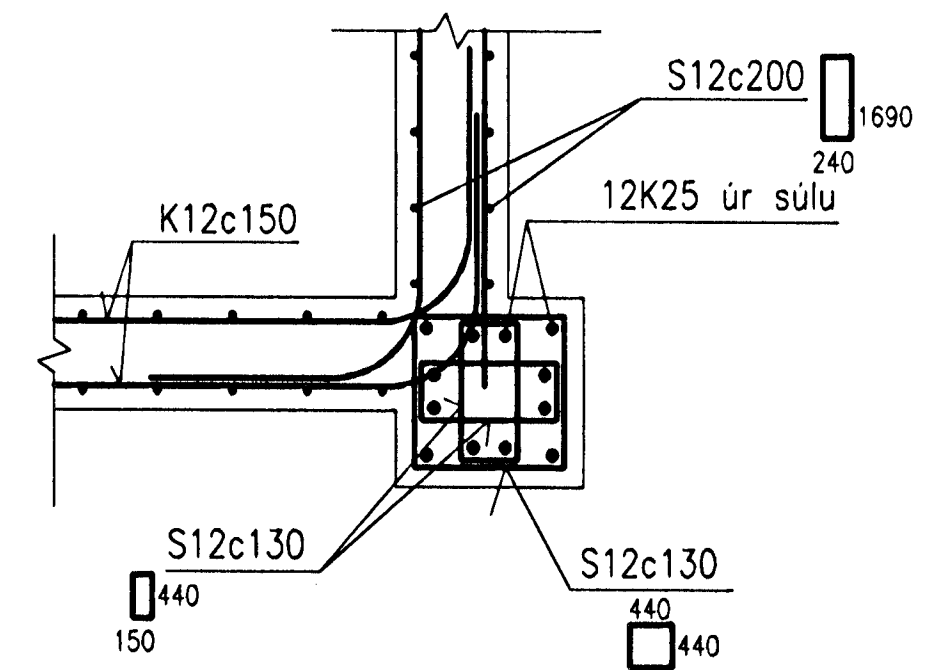
S3 SNID, 1:20
1.16



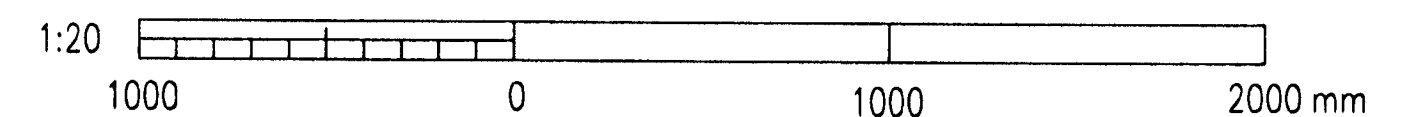
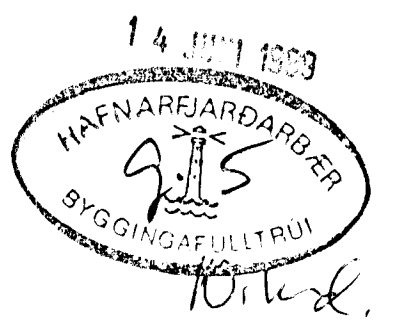
S4 SNID, 1:20
1.16



S5 SNID, 1:20
-



S6 SNID, 1:20
1.16



Skýringar:
Explanations:

Öll mál eru í millimetrum

Breyt. Rev.	Breyting Revision	Dagur Date	Gert of Made by	Sömdukt Approved

Tilteikningar nr. ISAL Ref. drawing no. of ISAL

Samsetningartekningar nr. ISAL Assembly drawing no. of ISAL

This drawing is the property of the ICELANDIC ALUMINIUM CO. LTD. and handed out for personal use only. It may neither be copied nor made available to others without permission of the ICELANDIC ALUMINIUM CO. LTD. The receiver is liable for any misuse.

Fjöldi stúkja Number of pieces	Hlutur Object	Atriði Item	Efni Material	eo. stk. Weight (kg) bygd	total. í heild Remarks	Althugsamer
IV III I I I	SKAUTHRINSIÐ				1:20	Málavörð Scale
	STEYPTIR BITAR, JÁRNBENDING					Stærð frumtekin Form of org. A1
	BITI 4 FRAMHALD					ÓÖno.-Eq.type-Eq.no.
	VST Verkfræðingur Sigurður Þoroddsson MSc. Arnhei 118 Reykjavík, Síma 588 3000 Fax 588 3010				99.102-01.17	Dr. no of sheet / Mbl. no. of sheet
Teknað Drawn	HFB/NI JÚNÍ 1999	Yfirfarið Checked			Sömdukt Approved	Dr. no of ISAL / Tekn. no. of ISAL
Teknað Drawn	ISAL	Yfirfarið Checked			Sömdukt Approved	Dr. no of ISAL / Tekn. no. of ISAL
	ICELANDIC ALUMINIUM CO. LTD.					
	Straumsvík, IS-220 Hafnarfjörður, Iceland					