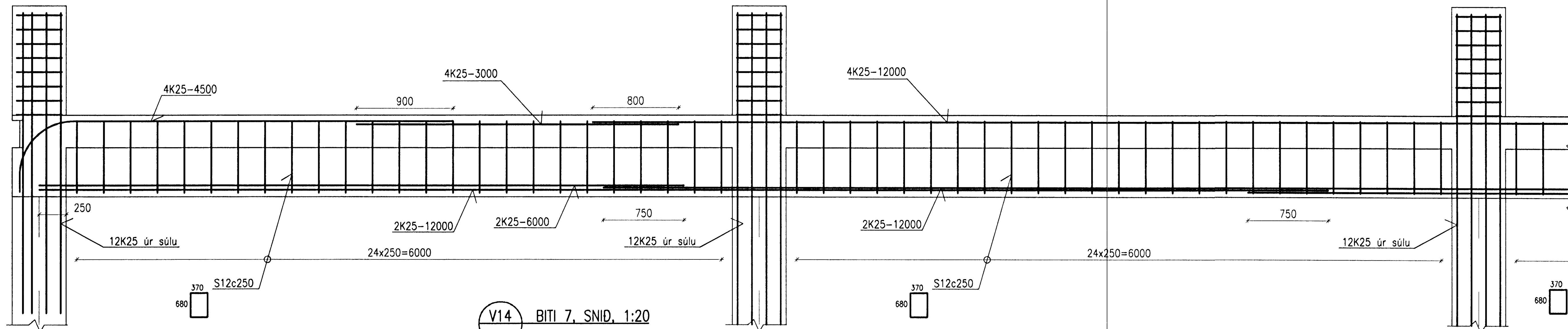
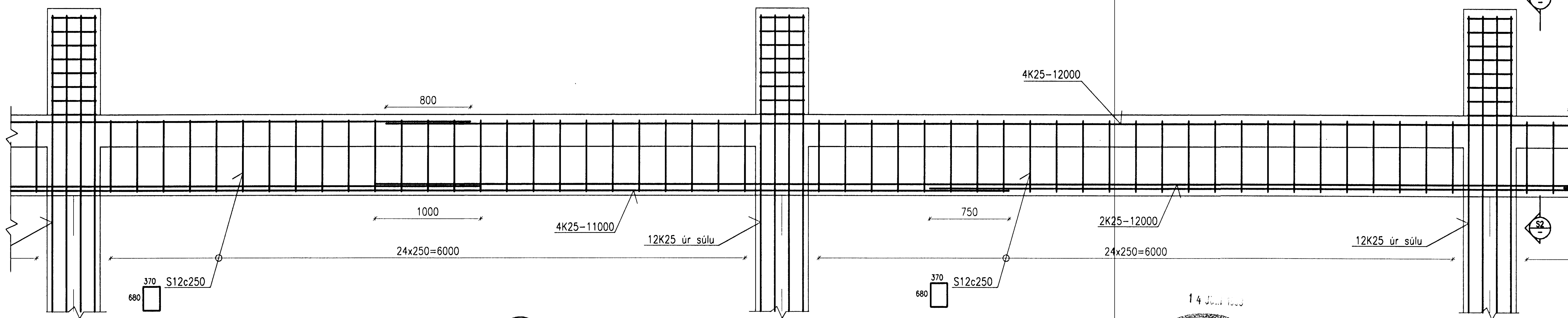


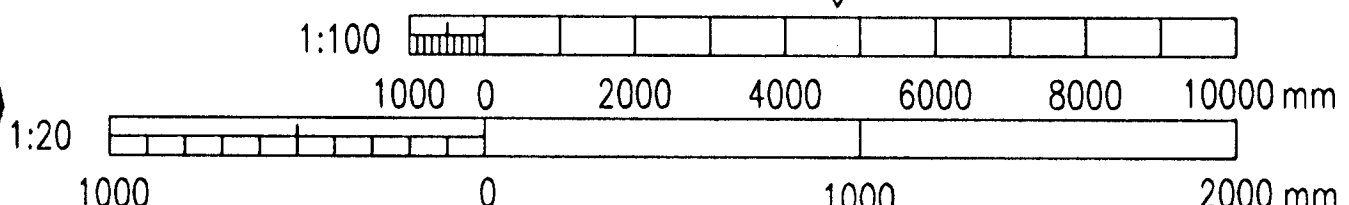
B8 BITI 7, SNID, 1:100



V14 BITI 7, SNID, 1:20



V15 BITI 7, SNID, 1:20



Skýringar: Öll mál eru í millimetrum
 Explanations: All measurements are in millimeters

Steypa: C30/37-38-S2-Ae

This drawing is the property of the ICELANDIC ALUMINIUM CO. LTD. and handed out for personal use only. It may neither be copied nor made available to others without permission of the ICELANDIC ALUMINIUM CO. LTD. The receiver is liable for any misuse.

Breyt. Rev.	Breyting Revision	Dags Date	Gert of Made by	Samb. Approved	Fjöldi stykja Number of pieces	Hlutur Object	Atriði Item	Efni Material	Eq. stk Weight (kg)	Stofn. heild. þyngd Total weight	Athugasemdir Remarks
					IV III II I	SKAUTHREINSISTÖÐ					Mækkvæði Scale 1:20
						STEYPTIR BITAR, JÄRNBENDING					Stærð frumteki Form of orig. A1
						BITI 7					ÖNo.-EqType-Eqno.
						VST Varknaðstafa Sigurður Thorodósson M. Áttala A. 108 Hálfarásir Síma 588 2000 Fax 588 2010					99.102-01.21
						Teknað Drawn	HFB/NI	JÚNÍ 1999	Yfirgafið Checked	NI	Samb. Approved
						ICELANDIC ALUMINIUM CO. LTD. Straumsvík, IS-220 Hafnarfjörður, Iceland					Stærð frumteki Form of orig. A1
						Teknað Drawn		Yfirgafið Checked			Samb. Approved