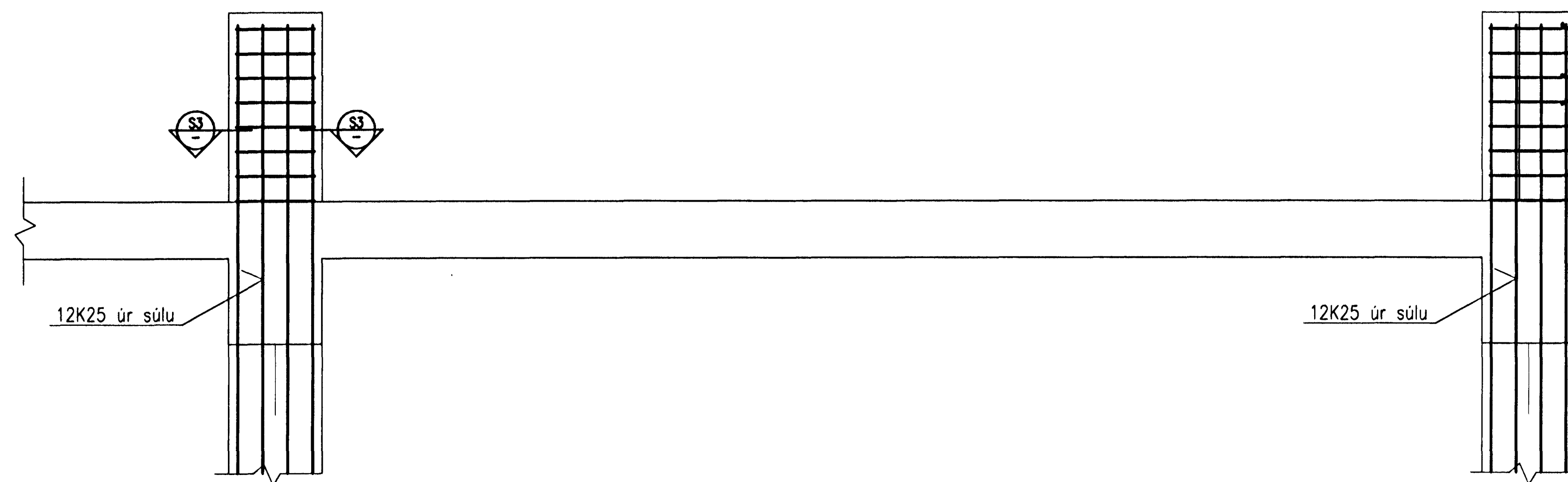
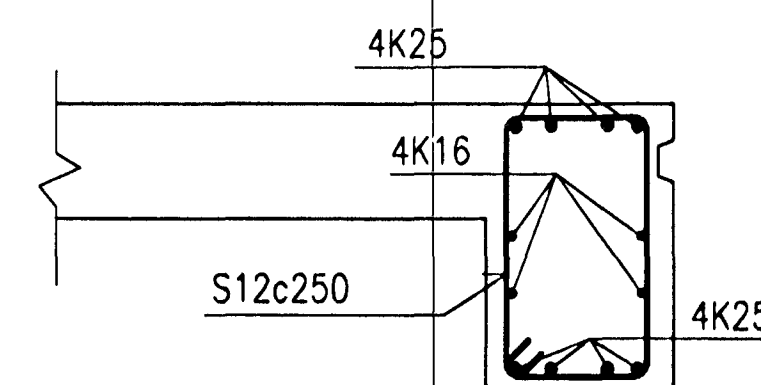


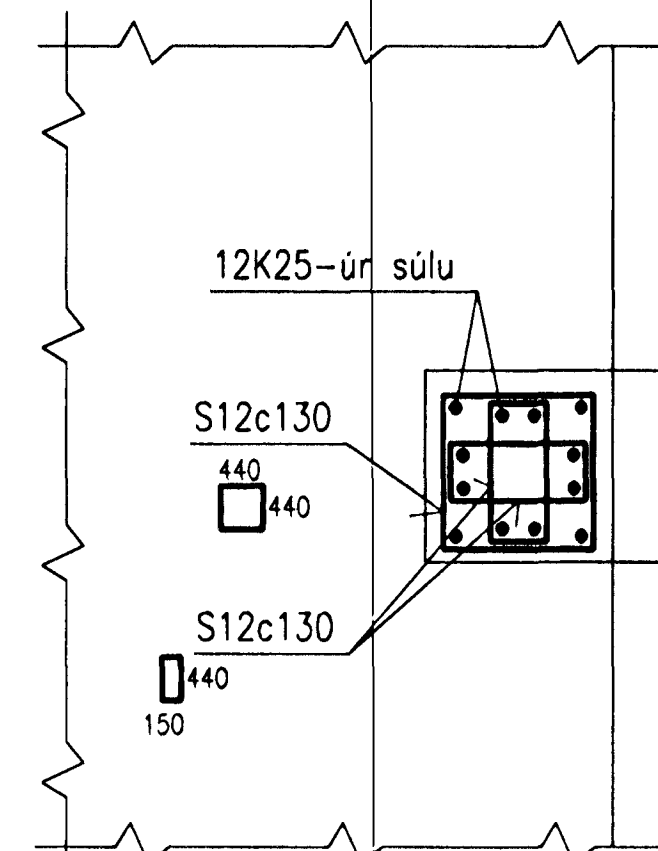
V16
1.21
BITI 7, SNID, 1:20



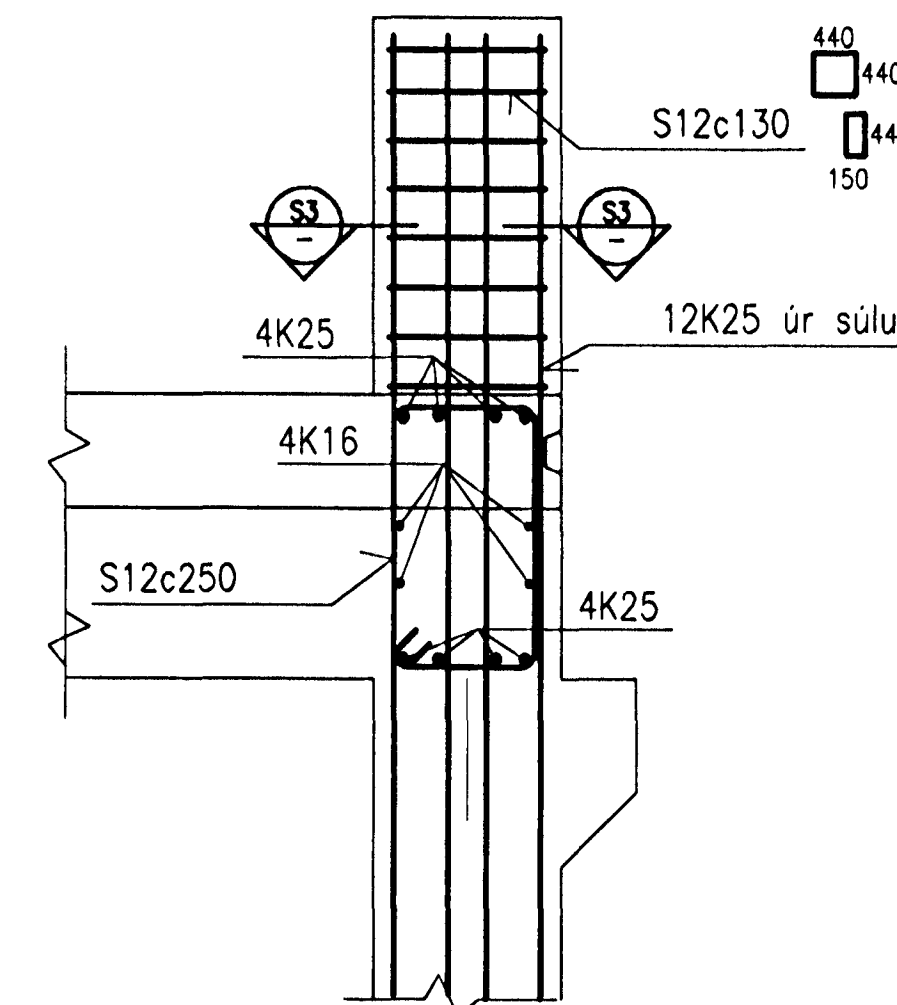
V17
1.21
BITI 7, SNID, 1:20



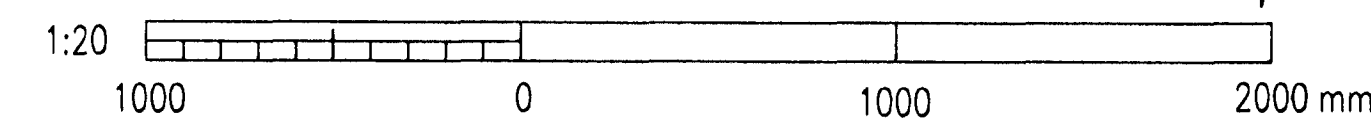
S1
-
SNID, 1:20



S2
-
SNID, 1:20



S3
-
SNID, 1:20



Skýringar:
Explanations: Öll mál eru í millimetrum

Steypa: C30/37-38-S2-Ae

This drawing is the property of the ICELANDIC ALUMINIUM CO. LTD. and handed out for personal use only. It may neither be copied nor made available to others without permission of the ICELANDIC ALUMINIUM CO. LTD. The receiver is liable for any misuse.

Breyt. Rev.	Breyting Revision	Dags Date	Gert af Made by	Samb. Approved

Fjöldi stúkkja Number of pieces	Hlutur Object	Atriði Item	Efni Material	ea:stk Weight (kg)	Ítal.d. í heild Total in bulk	Athugasemur Remarks
IV III II I	SKAUTHREINSISTÖÐ					Málkvarði Scale 1:20
	STEYPTIR BITAR, JÄRNBENDING					Stærð frumtekin Format of orig. A1
	BITI 7 frh.					Öðna.-Eq.type-Eq.no.
Teknað Drawn	HFB/NI JUNI 1999	Yfirfarið Checked				99.102-01.22
	ICELANDIC ALUMINIUM CO. LTD.					Drögn af ISAL 7. Júní 1999
	Straumsvík, IS-220 Hafnarfjörður, Iceland					

14 JUNI 1999
HAFNARJARDARBER
BYGGINGAÁTTIÐ