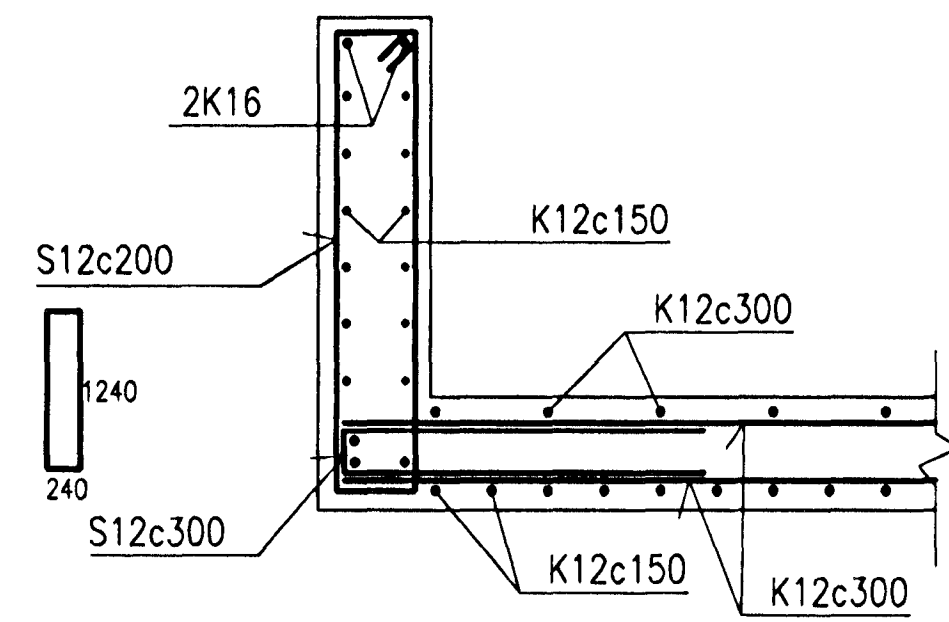
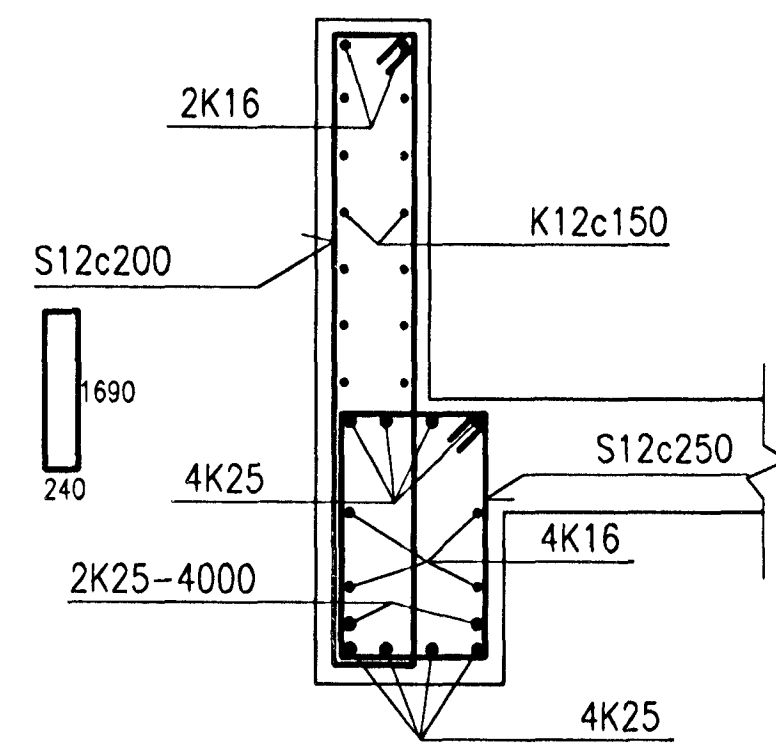


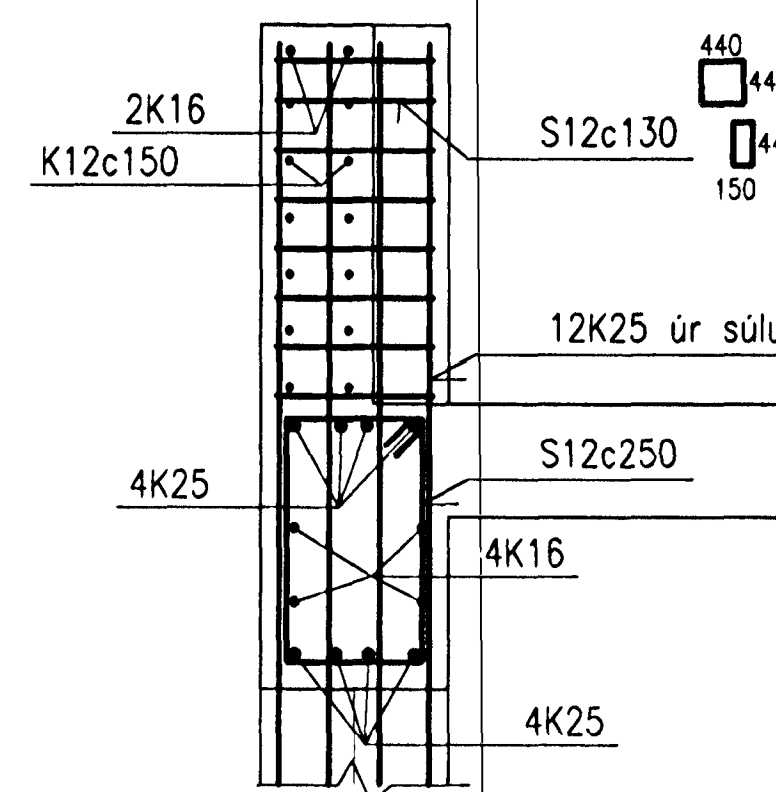
V20 BITI 8, SNID, 1:20  
1.23



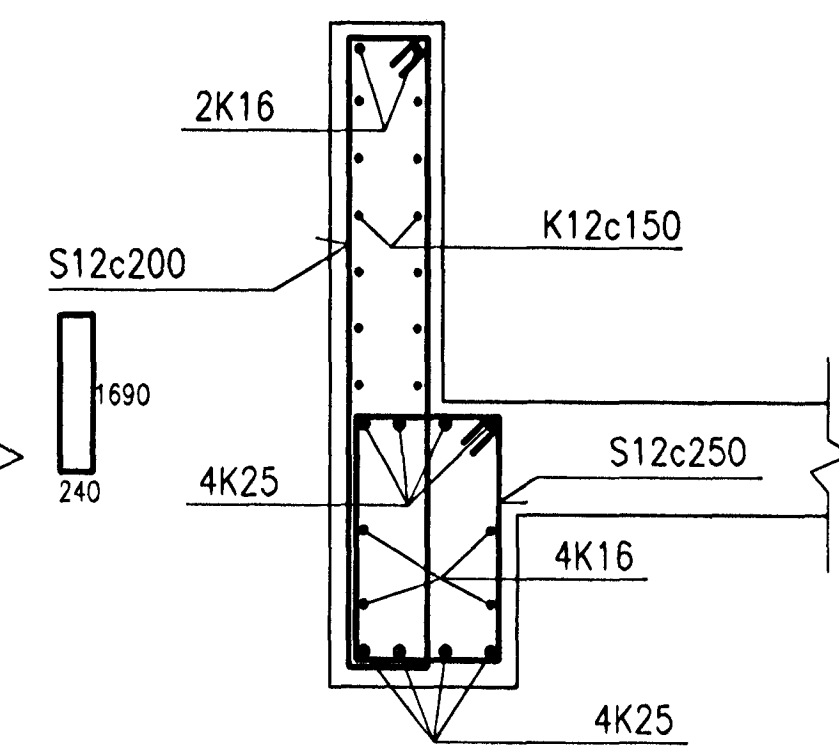
S1 SNID, 1:20  
1.23



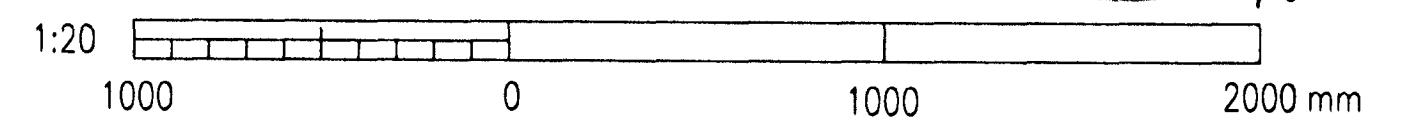
S2 SNID, 1:20  
1.23



S3 SNID, 1:20



S4 SNID, 1:20



14 JUNI 1999  
HAFNARJARDARER  
BYGGINGAFLUTRUI  
N. h. l.

Skýringar: Öll mál eru í millimetrum  
Explanations:

Steypa: C30/37-38-S2-Ae

This drawing is the property of the ICELANDIC ALUMINIUM CO. LTD. and handed out for personal use only. It may neither be copied nor made available to others without permission of the ICELANDIC ALUMINIUM CO. LTD. The receiver is liable for any misuse.

Fjöldi stúka	Hlutur	Alinb.	Elm.	eo. stk.	total f. heild	Althugsomdir
Number of pieces	Object	Item	Material	Weight (kg)	Drawn	Remarks
IV	SKAUTHREINSISTÖÐ					Malkvafi: 1:20
	STEYPTIR BITAR, JÄRNBENDING					Stað frumtekn. A1
	BITI 8 frh.					Format of org. CCNo-EdType-Eqn.
	VST Verkfræðistofa Sigurðar Thordóssonar					Dr. no. of supp. / Tæknir. veitala: 99.102-01.24
Teknað	HFB/NI JÚNÍ 1999	Yfirfarið				Sambáttl. Nilsen A.
Drawn		Checked				Dr. no. of ISAL / Teknir. veitala: 99.102-01.24
	ISAL					Dr. no. of ISAL / Teknir. veitala: 99.102-01.24
Teknað	Straumsvík, IS-220 Hafnarfjörður, Iceland	Yfirfarið	NI			Sambáttl. Approved
Drawn		Checked				Approved

Breyt. Rev.	Breyting	Dag.	Geril of	Sambáttl.
Revision	Revision	Date	Made by	Approved