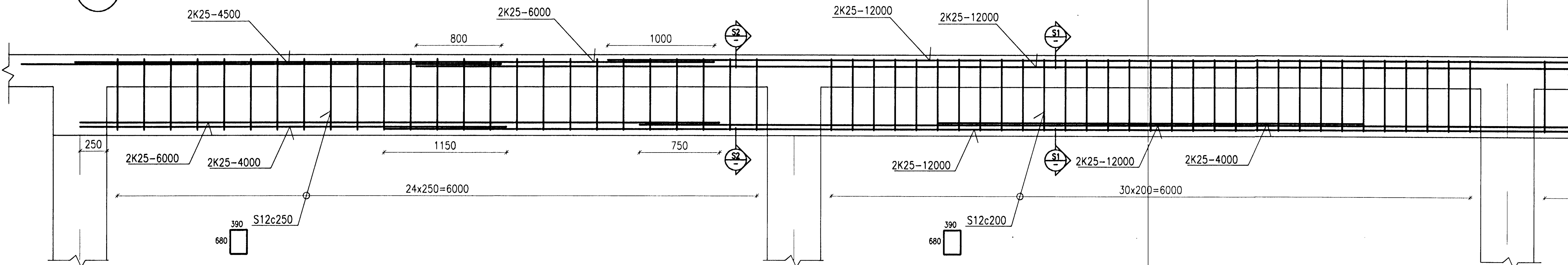
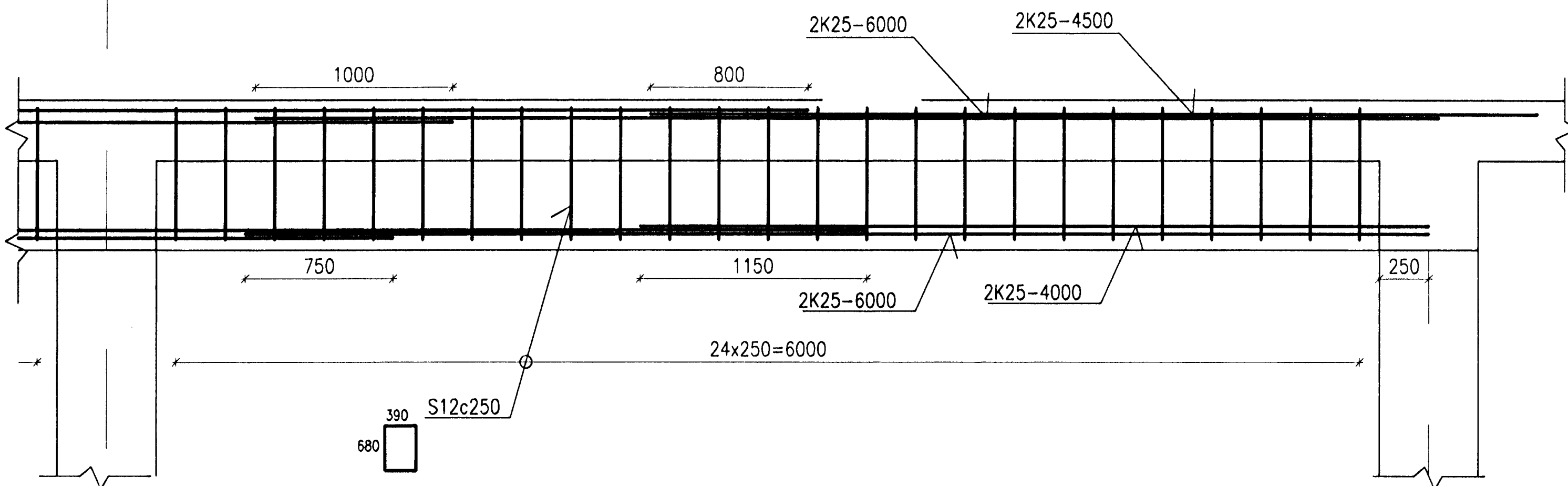


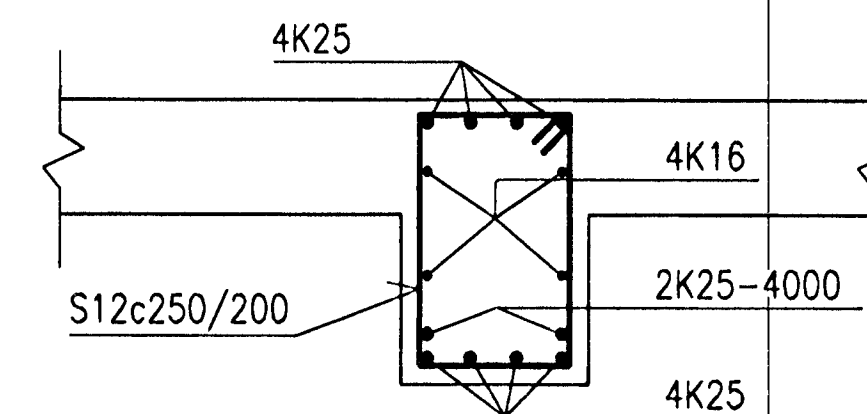
B9 BITI 9, SNID, 1:100



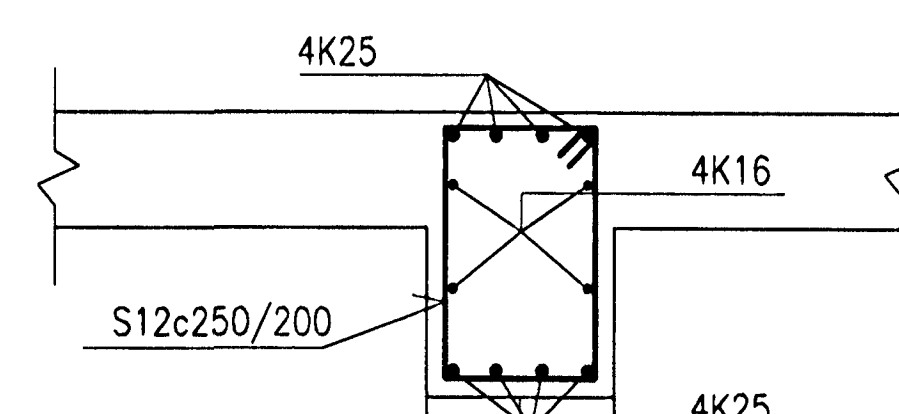
V21 BITI 9, SNID, 1:20



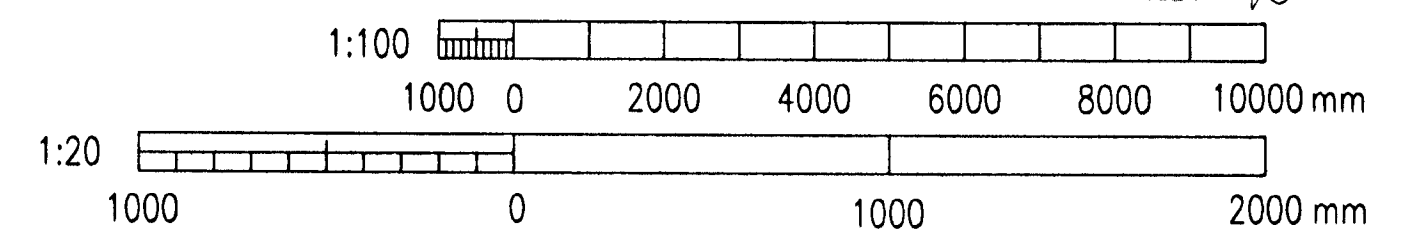
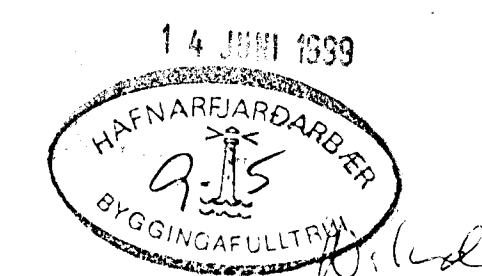
V22 BITI 9, SNID, 1:20



S1 SNID, 1:20



S2 SNID, 1:20



Skýringar: Öll mál eru í millimetrum
 Explanations:

Steypa: C30/37-38-S2-Ae

This drawing is the property of the ICELANDIC ALUMINIUM CO. LTD. and handed out for personal use only. It may neither be copied nor made available to others without permission of the ICELANDIC ALUMINIUM CO. LTD. The receiver is liable for any misuse.

Breyt. Rev.	Breyting Revision	Dagur Date	Geril of Made by	Samb.Átt. Approved	Fjöldi stúkkja Number of pieces	Hiður Object	Altr.Ít. Item	Efni Material	eo stk Weight (kg)	Total held bygð	Althugsgerðir Remarks
						SKAUTHREINSISTÖÐ					Málkvörð Scale 1:20
						STEYPTIR BITAR, JÄRNBENDING					Stærð þrumtekn. Format of org A1
						BITI 9					Öðro.-Eq. type-Eq.no.
						VST Verktæfnafélag Sigurður Thorodsson M. <small>Altr.Ít. 108 1999-01-01 Síma 222 9000 Fax 222 9010</small>					Drögnúmer / Tölunúmer / Breyt. / Rev. 99.102-01.25
						Teknað / Drawn HFB/NI JÚNÍ 1999 Tíft. / Checked NI					Samb.Átt. / Approved <i>Nielsen</i>
						ISAL ICELANDIC ALUMINIUM CO. LTD. Straumsvík, IS-220 Hafnarfjörður, Iceland					Drögnúmer / Tölunúmer / Breyt. / Rev.
						Teknað / Drawn Tíft. / Checked					Samb.Átt. / Approved