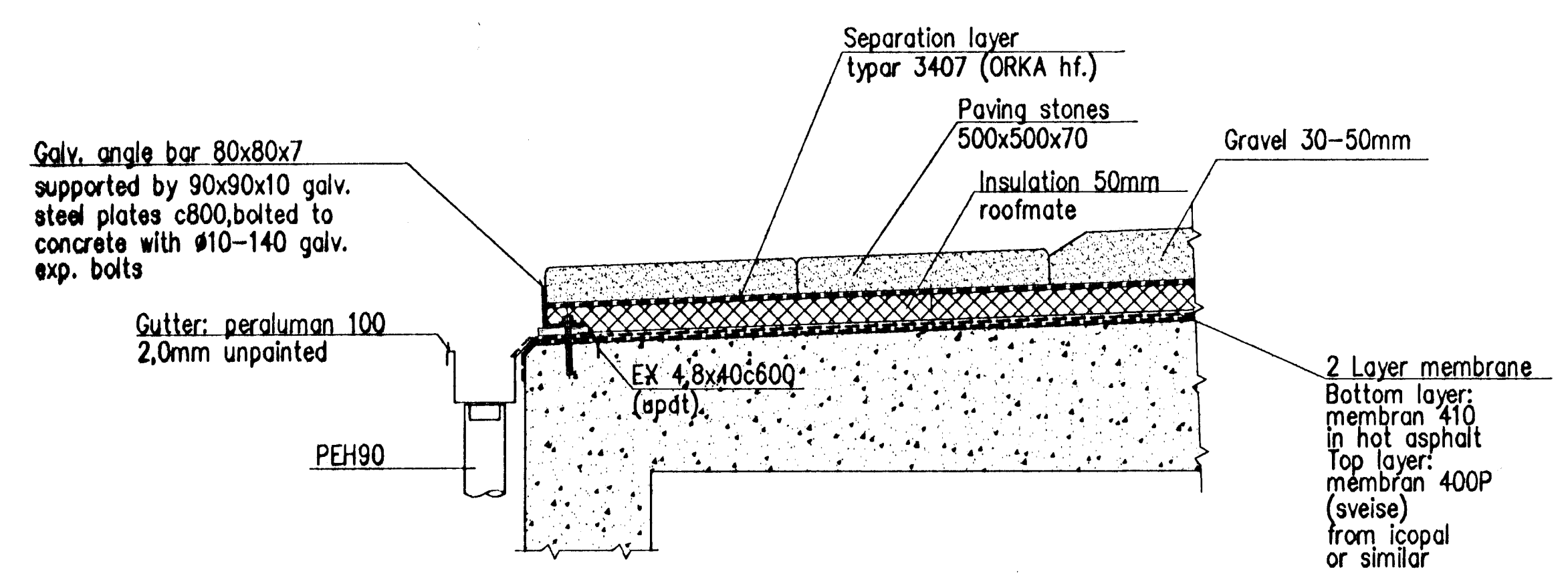
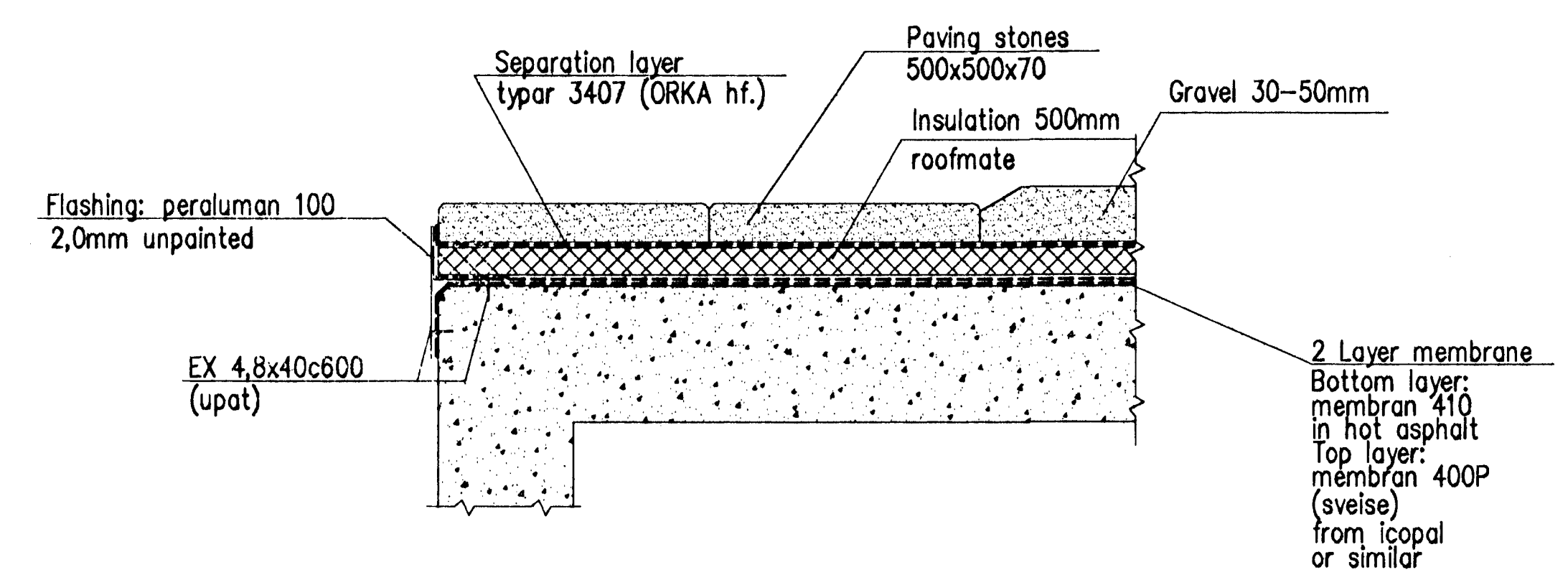


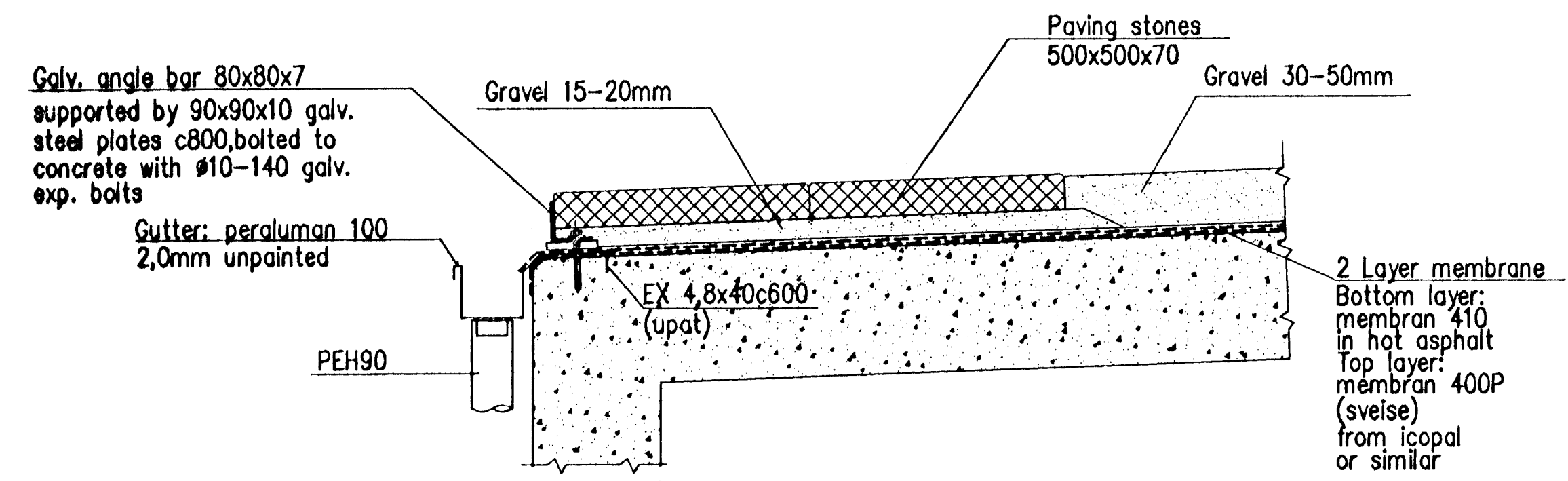
1
121



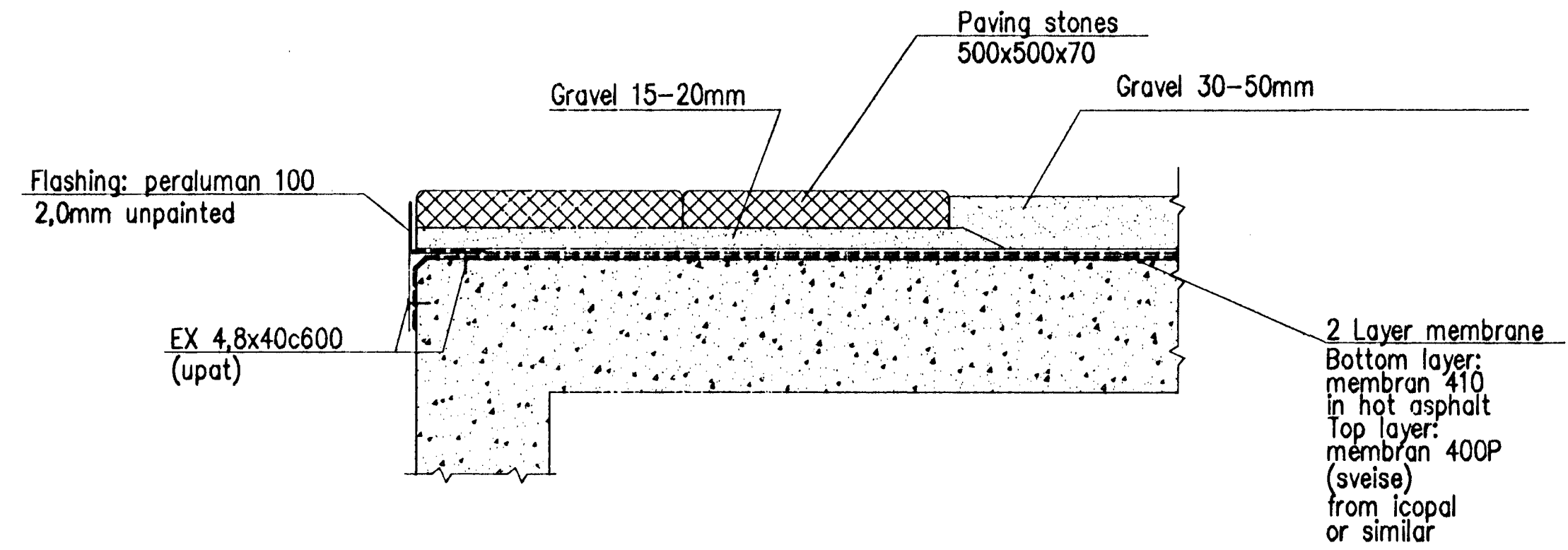
2
121



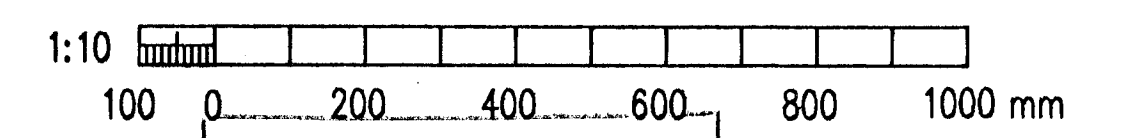
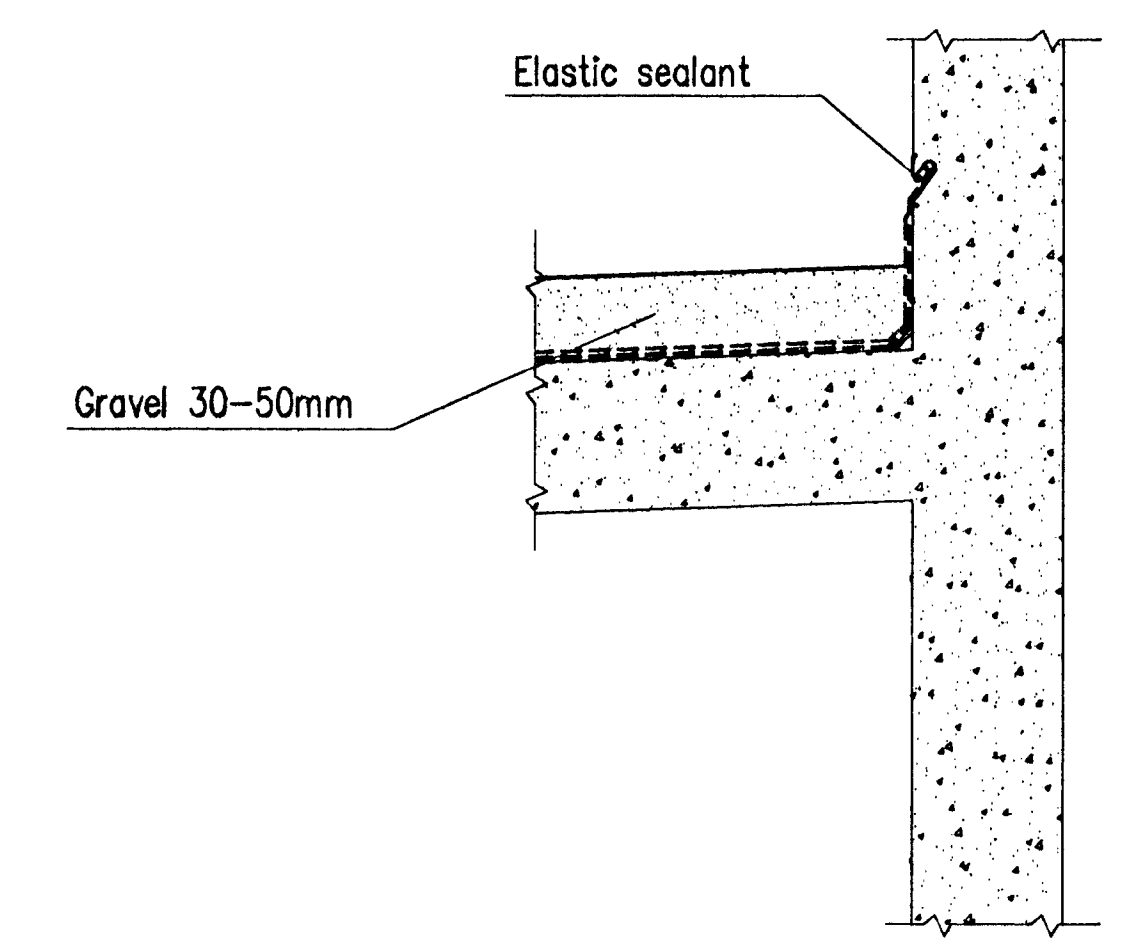
3
121



4
121



5
121



HAFAFARVEIÐUR
BYGGINGAÞRÁFRUN
AFHEIT

VST VST CONSULTING ENGINEERS Ltd. Armula 4 108 Reykjavik Iceland Tel: +354 569 5000 Fax: +354 569 5010		95.120 - 26.122															
ICELANDIC ALUMINIUM COMPANY LTD.	<table border="1"> <tr><td>DRAWN</td><td>98.05.29</td><td>SGI</td></tr> <tr><td>APPROVED</td><td>98.05.29</td><td>FGS</td></tr> <tr><td>PROCESS</td><td>98.05.29</td><td>NI</td></tr> <tr><td>PROJECT</td><td>98.05.29</td><td>NI</td></tr> <tr><td>SCALE</td><td>1:10</td><td>FORMAT A1</td></tr> </table>	DRAWN	98.05.29	SGI	APPROVED	98.05.29	FGS	PROCESS	98.05.29	NI	PROJECT	98.05.29	NI	SCALE	1:10	FORMAT A1	SUBSTATION 120 CONCRETE WORK ROOFING, DETAILS FORMWORK
DRAWN	98.05.29	SGI															
APPROVED	98.05.29	FGS															
PROCESS	98.05.29	NI															
PROJECT	98.05.29	NI															
SCALE	1:10	FORMAT A1															
ALUSUISSE ALESA	ALUSUISSE ENGINEERING LTD. ZURICH SWITZERLAND	79000-35422															
ISAL	ICELANDIC ALUMINIUM CO. LTD.	188.422															

REV. NO.	DATE	REVISION	BY	APP.	REV. NO.	DATE	REVISION	BY	APP.	NOTES	REFERENCE DRAWING	DRAWING NUMBER
1	1998.07.18	APPROVED FOR CONSTRUCTION	FGS	N.L.								

This drawing is our property and given for personal use only. It may not be copied or made available to others without our permission. The receiver is responsible for any misuse.