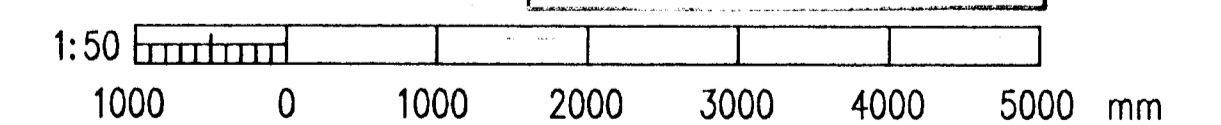
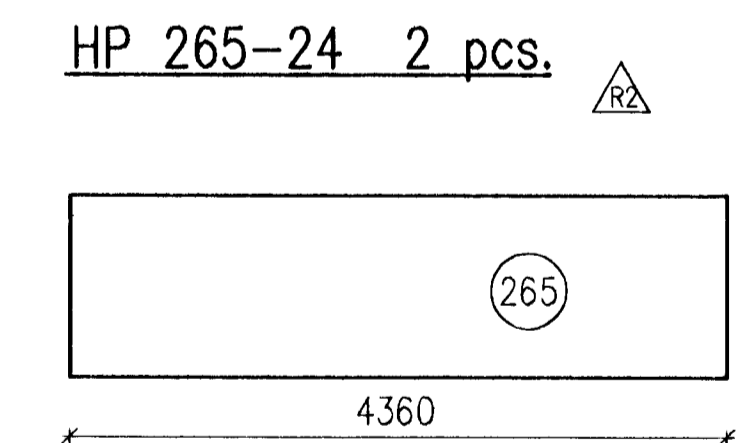
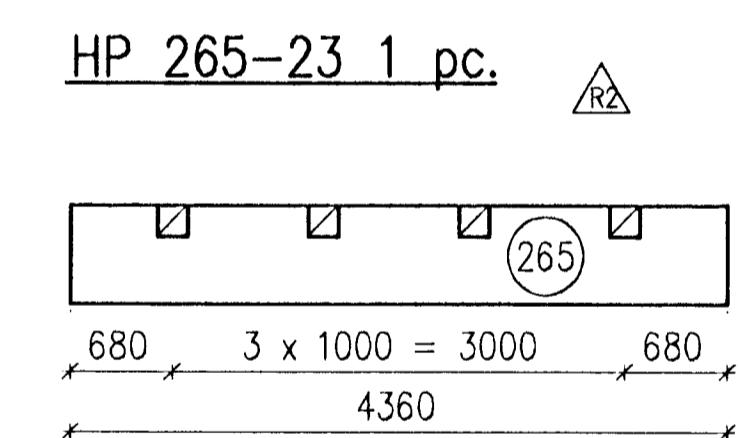
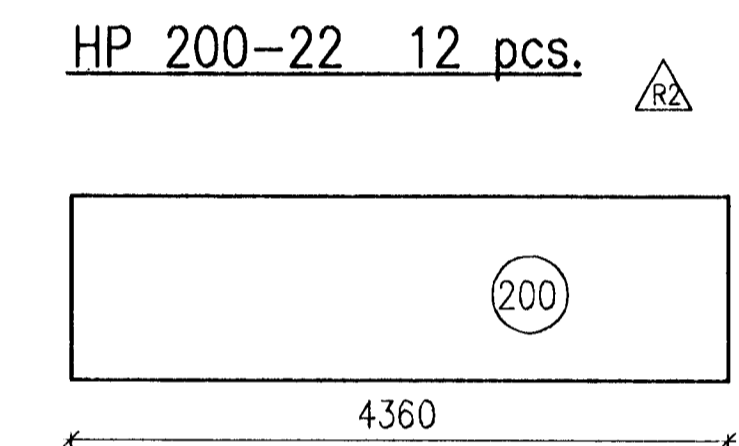
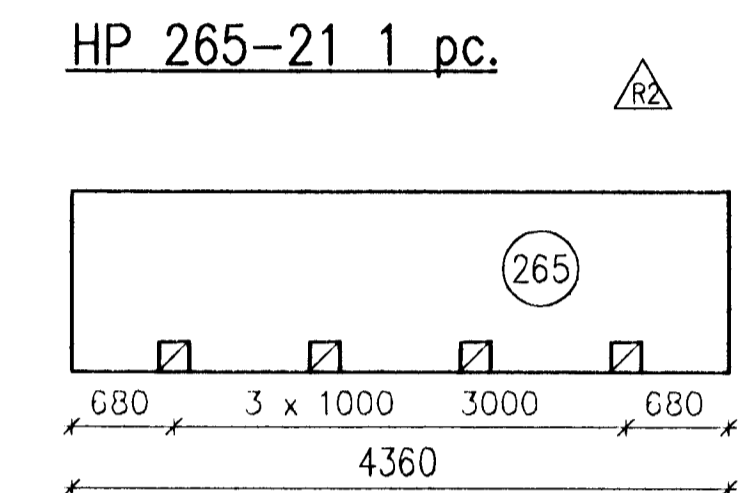
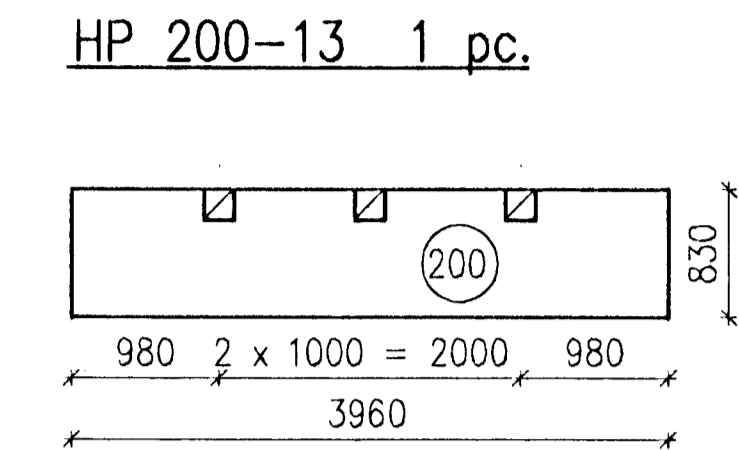
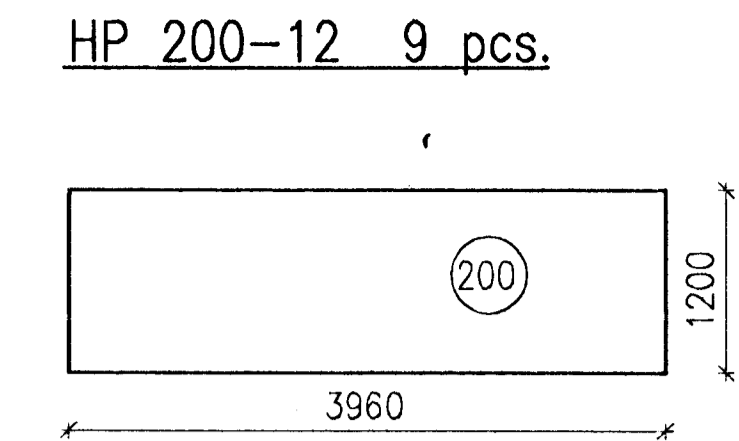


□ : Opening in upper part of element 200 x 200 mm

LOADING

- a) Control room slab
Elements HP 265 01-05:
Live load: 3.0 kN/m²
Superimposed dead load: 1.5 kN/m²
- b) Control room roof
Elements HP 265 11-13:
Snow load: 1.0 kN/m²
Superimposed dead load: 2.0 kN/m²
- c) Compressor room roof :
HP 200 01-03
Snow load: 1.0 kN/m²
Monorail crane load: 15 kN/element
 $\frac{1}{2} \frac{1}{2}$
- d) Transformer room roof:
HP 200 11-13
Snow load: 1.0 kN/m²
Superimposed dead load: 2.0 kN/m²
- e) Blower room roof:
HP 200 21-23
Snow load: 1.0 kN/m²
Monorail crane load: 15 kN/element
 $\frac{1}{2} \frac{1}{2}$
Superimposed dead load: 2.0 kN/m²



HAFAHAFREUR
BYGGINGARÁLLIÐ
AFGREIÐ
18/9/96
R.S.

REV. NO.	DATE	REVISION	BY	APP.	REV. NO.	DATE	REVISION	BY	APP.	NOTES	REFERENCE DRAWING	DRAWING NUMBER
2	1996.09.17	BLOWER HOUSE HOLLOW CORE ELEMENTS	FGS	N. I.								
1	1996.07.18	APPROVED FOR CONSTRUCTION	FGS	N. I.								

This drawing is our property and given for personal use only. It may not be copied or made available to others without our permission. The receiver is responsible for any misuse.

VST CONSULTING ENGINEERS LTD. Armula 4 108 Reykjavik Iceland Tel: +354 569 5000 Fax: +354 569 5010	DRAWN 98.05.10 UBG APPROVED 98.05.10 FGS PROCESS 98.05.10 NI PROJECT 98.05.10 NI	SUBSTATION 120 CONCRETE WORK PRECAST HOLLOW CORE ELEMENTS FORMWORK
	SCALE 1:50 FORMAT A1 ALUSUISSE ENGINEERING LTD. ZURICH SWITZERLAND	95.120 - 26.123 79000-35423 188.423