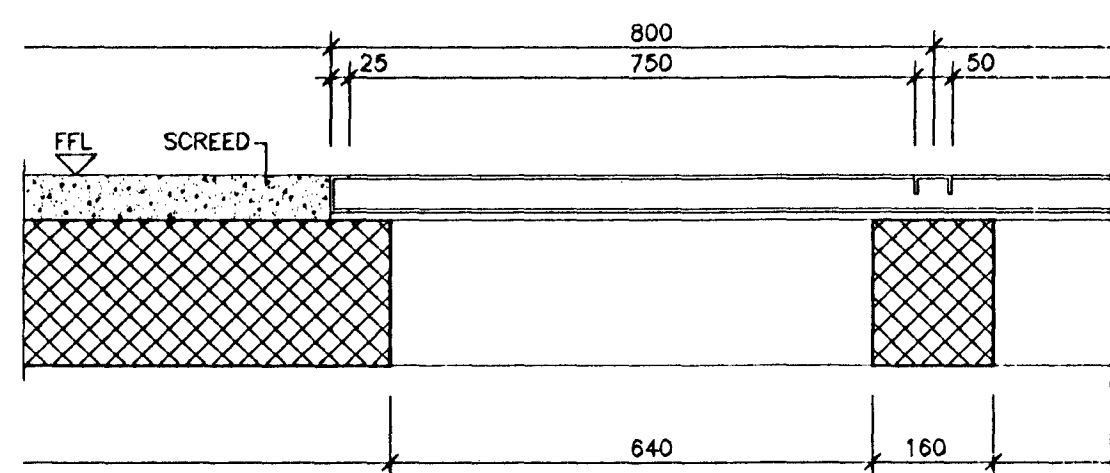
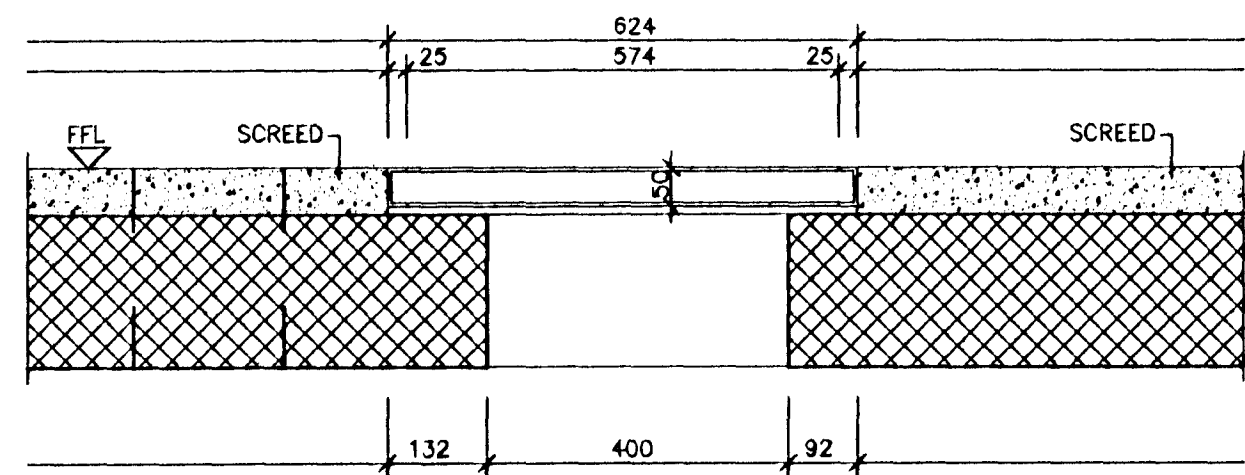
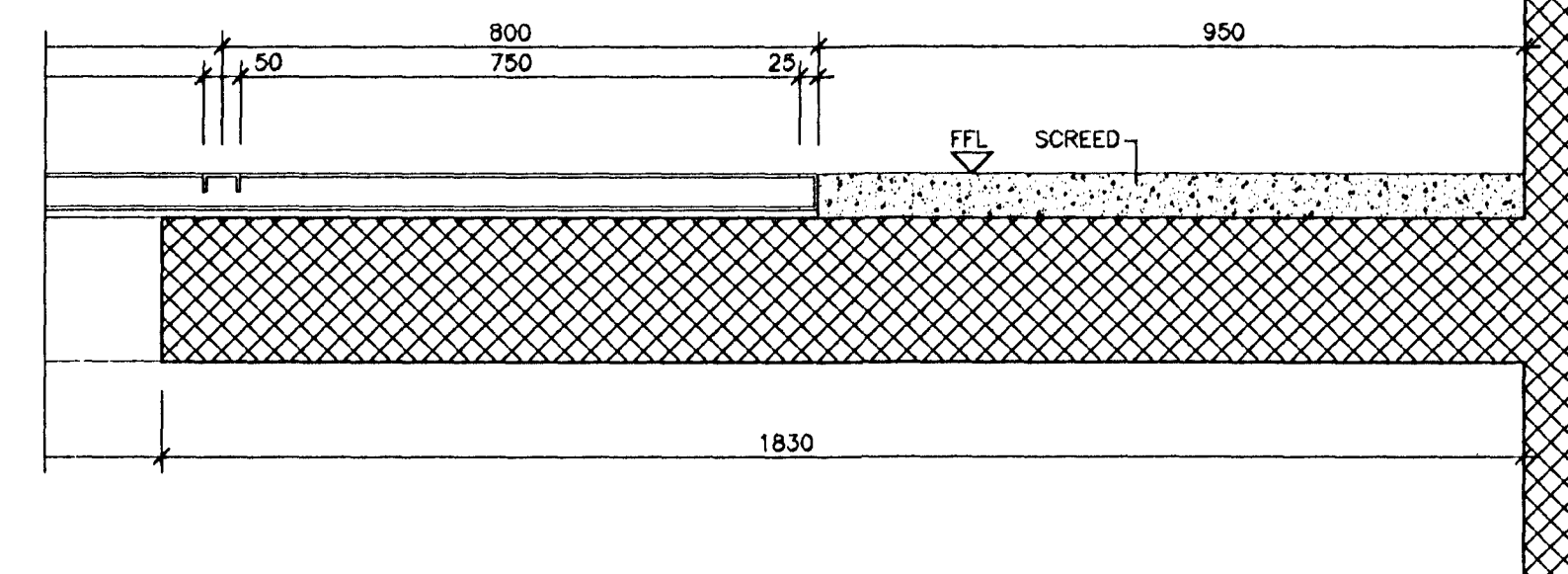


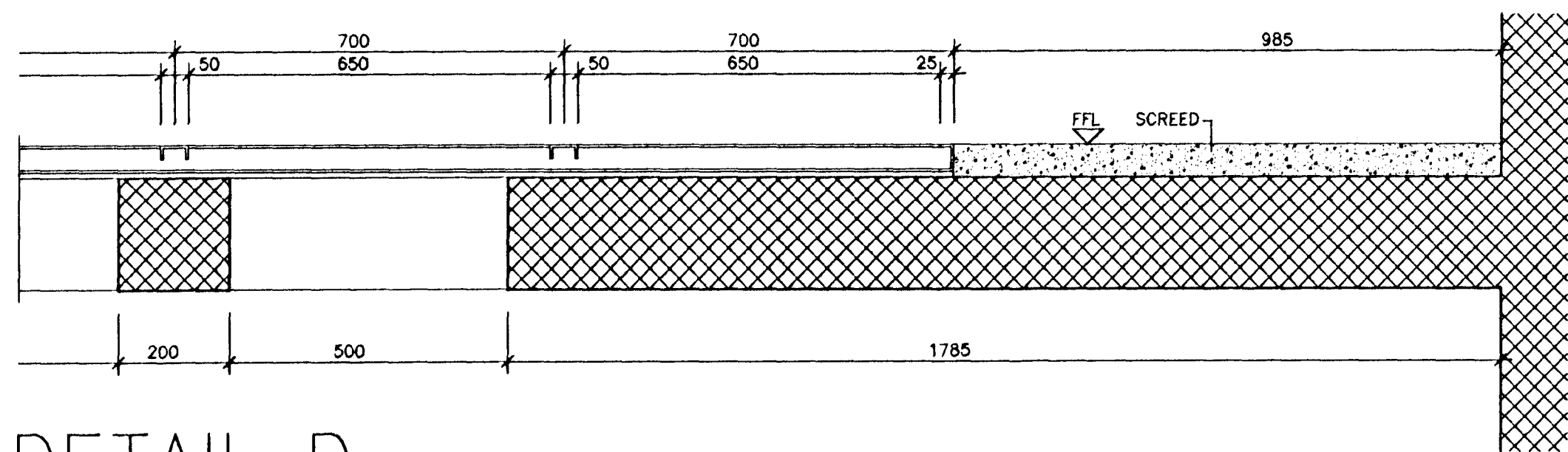
DETAIL A



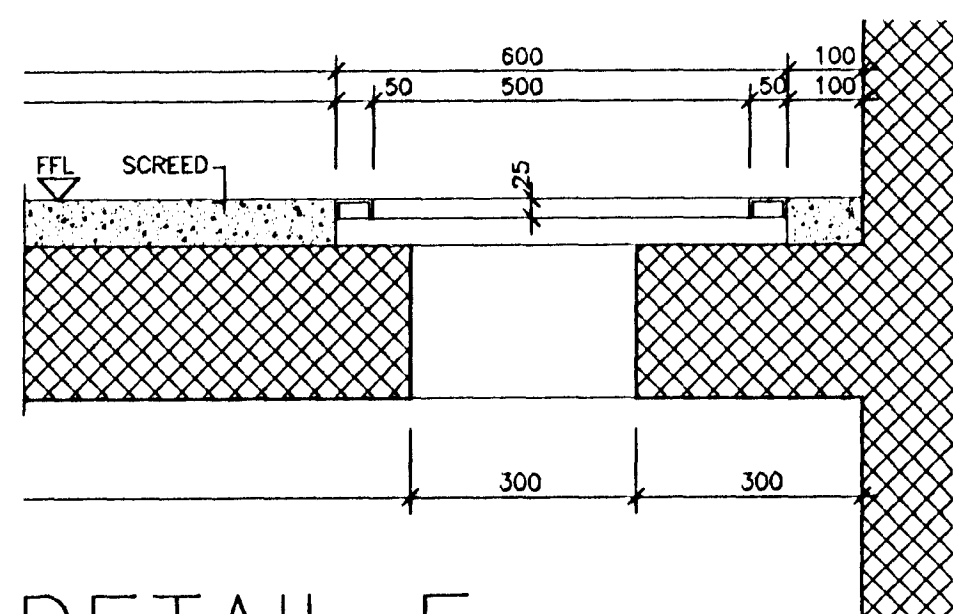
DETAIL B



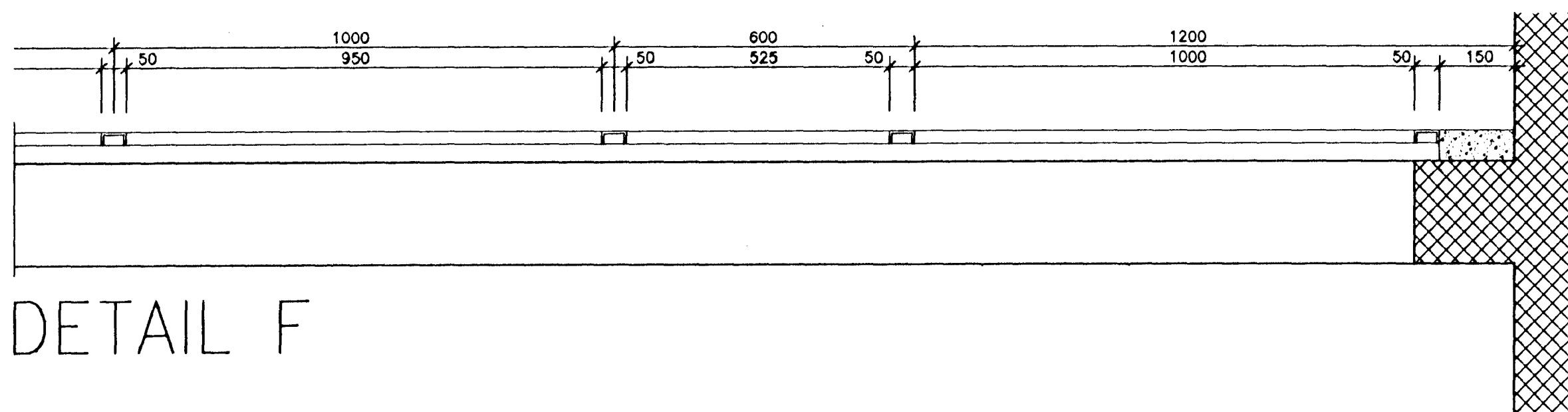
DETAIL C



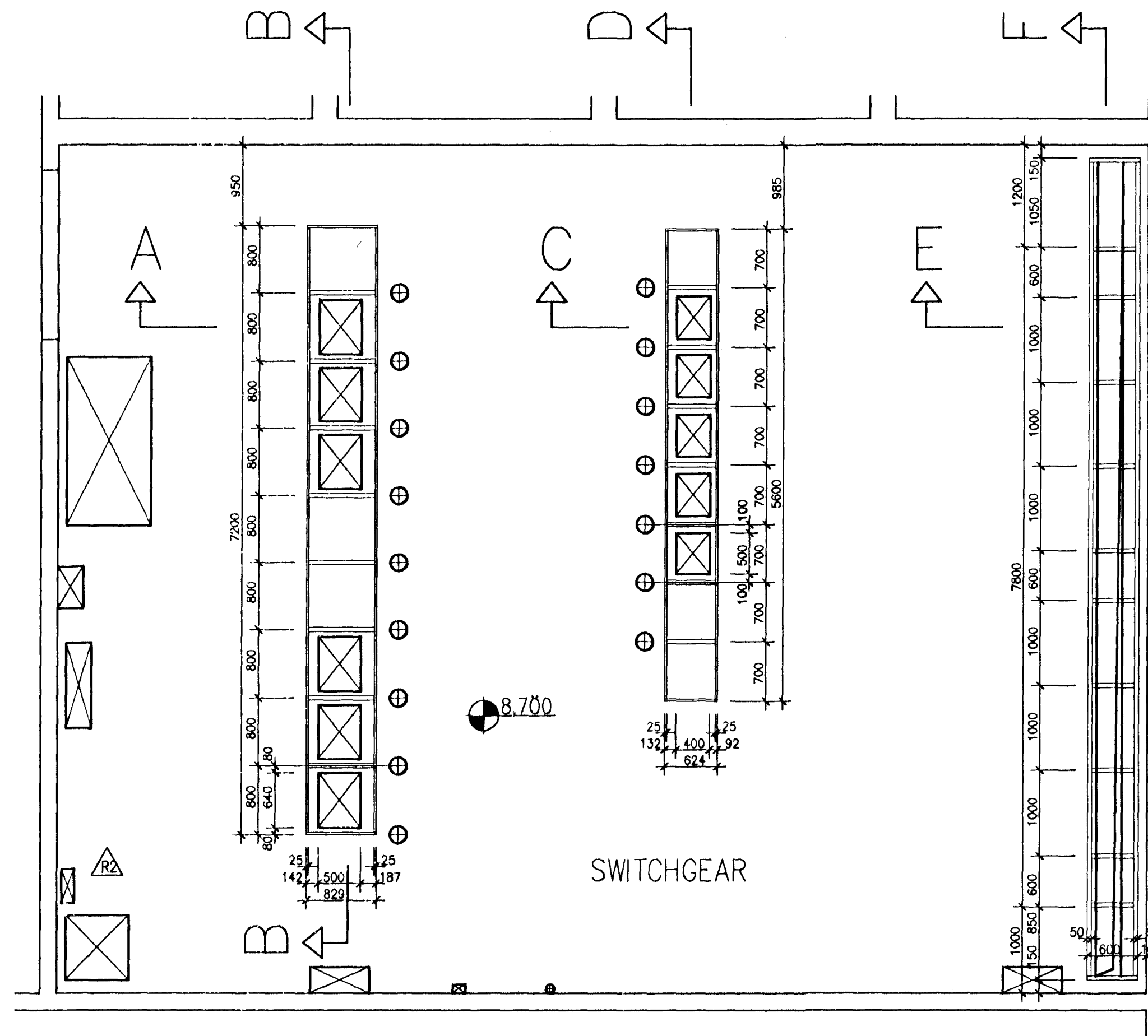
DETAIL D



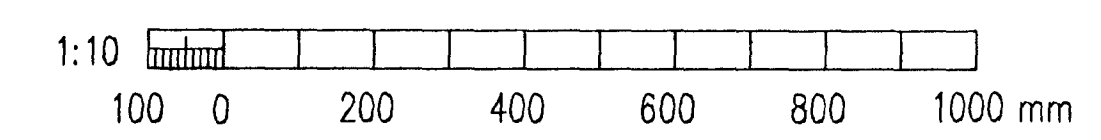
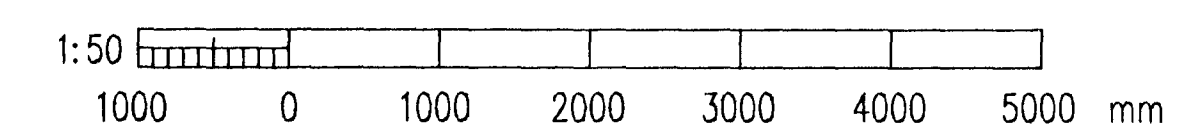
DETAIL E



DETAIL F



SWITCHGEAR



TOP OF EACH FLOOR FRAME MUST BE WITHIN +/- 1MM TOLERANCE

FINISHED FLOOR LEVEL (FFL) AROUND FRAMES MUST BE WITHIN +0/-2 MM FROM TOP OF FLOOR FRAME

BYGGINGAFULLTRÖNN
AFGREITT

REV. NO.	DATE	REVISION	BY	APP.	REV. NO.	DATE	REVISION	BY	APP.	NOTES	REFERENCE DRAWING	DRAWING NUMBER
2	1996.08.09	OPENINGS	FGS	N.I.								
1	1996.07.18	APPROVED FOR CONSTRUCTION	FGS	N.I.								

VST VST CONSULTING ENGINEERS Ltd.
Armula 4 108 Reykjavik Iceland
Tel: +354 569 5000 Fax: +354 569 5010

ICELANDIC ALUMINIUM COMPANY LTD.

ALUSUISSE ALESA
ALUSUISSE ENGINEERING LTD.
ZURICH SWITZERLAND

ICELANDIC ALUMINIUM CO. LTD

95.120 - 26.124

97000-35424

188.424

REVISION 2

95-11X\95120\DWG\SWITCH\526-124.DWG

This drawing is our property and given for personal use only. It may not be copied or made available to others without our permission. The receiver is responsible for any misuse.

