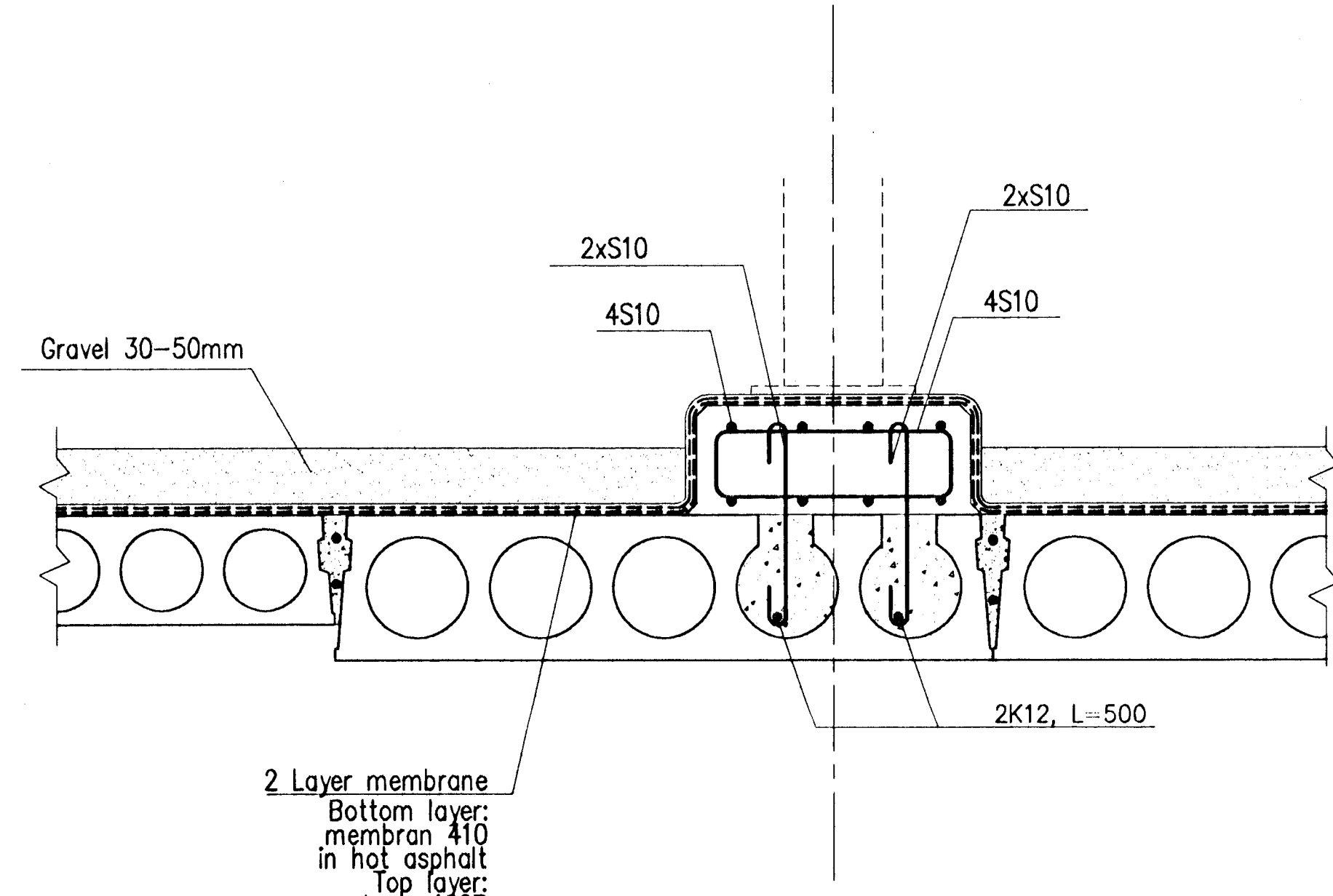
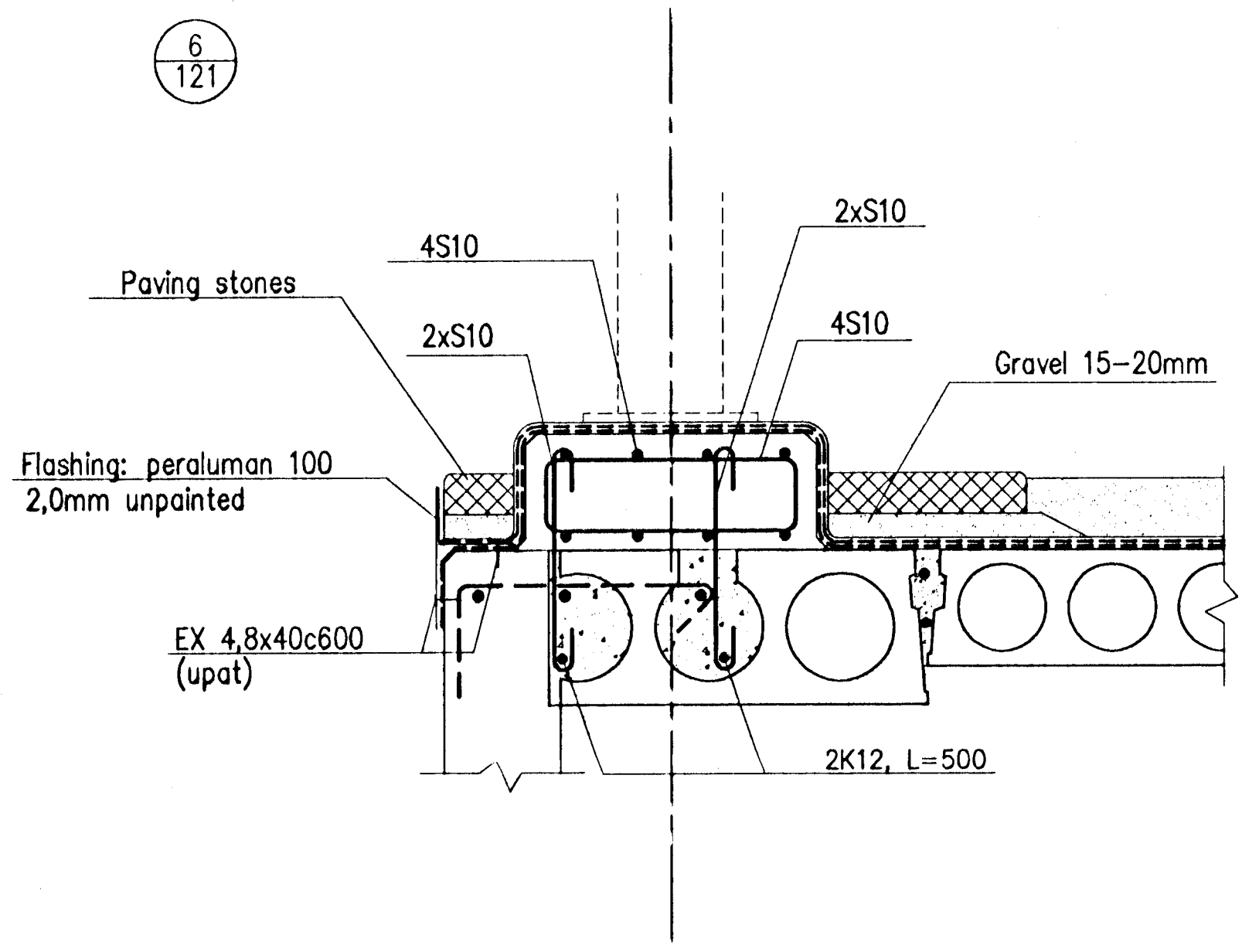
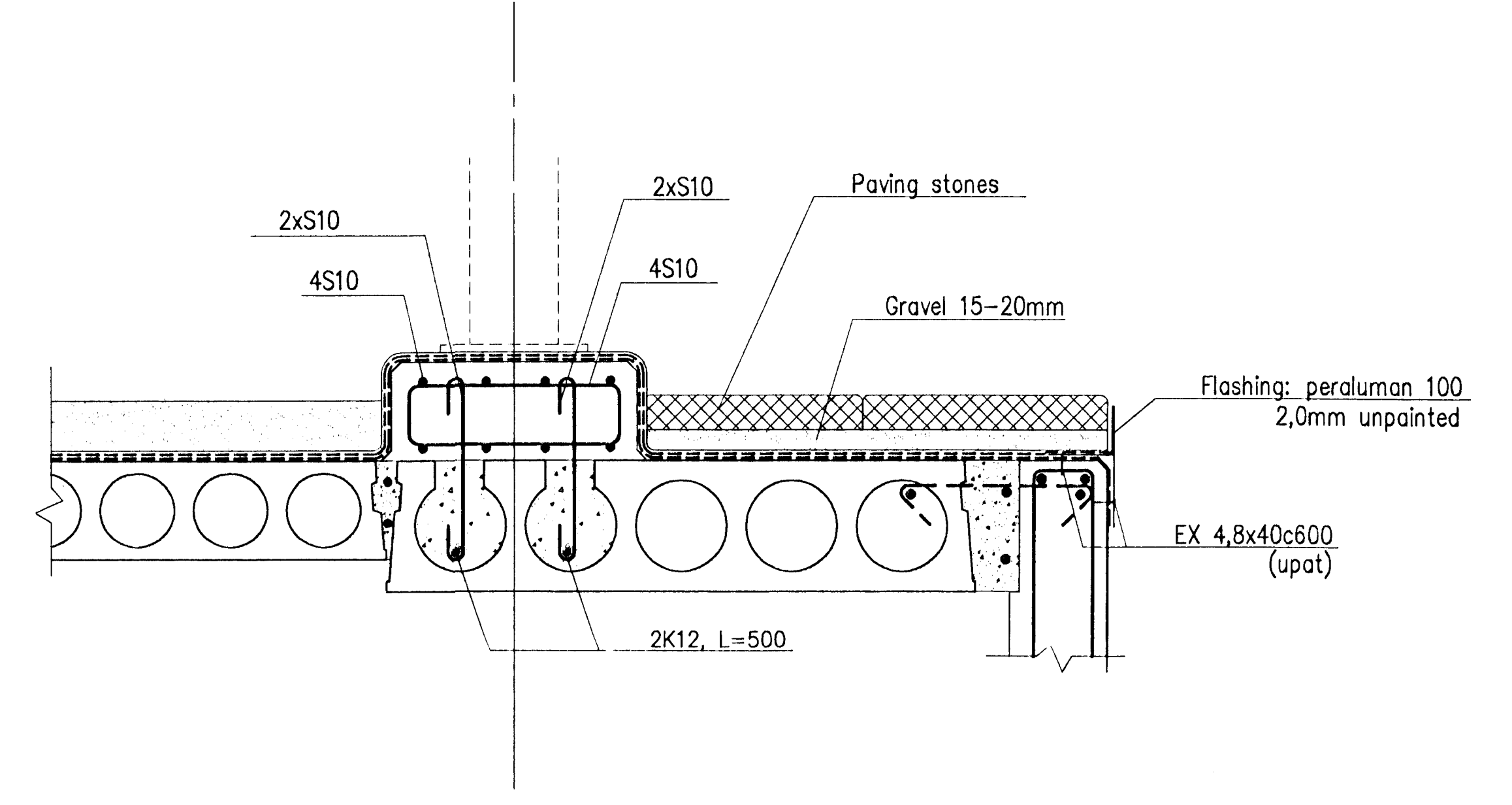


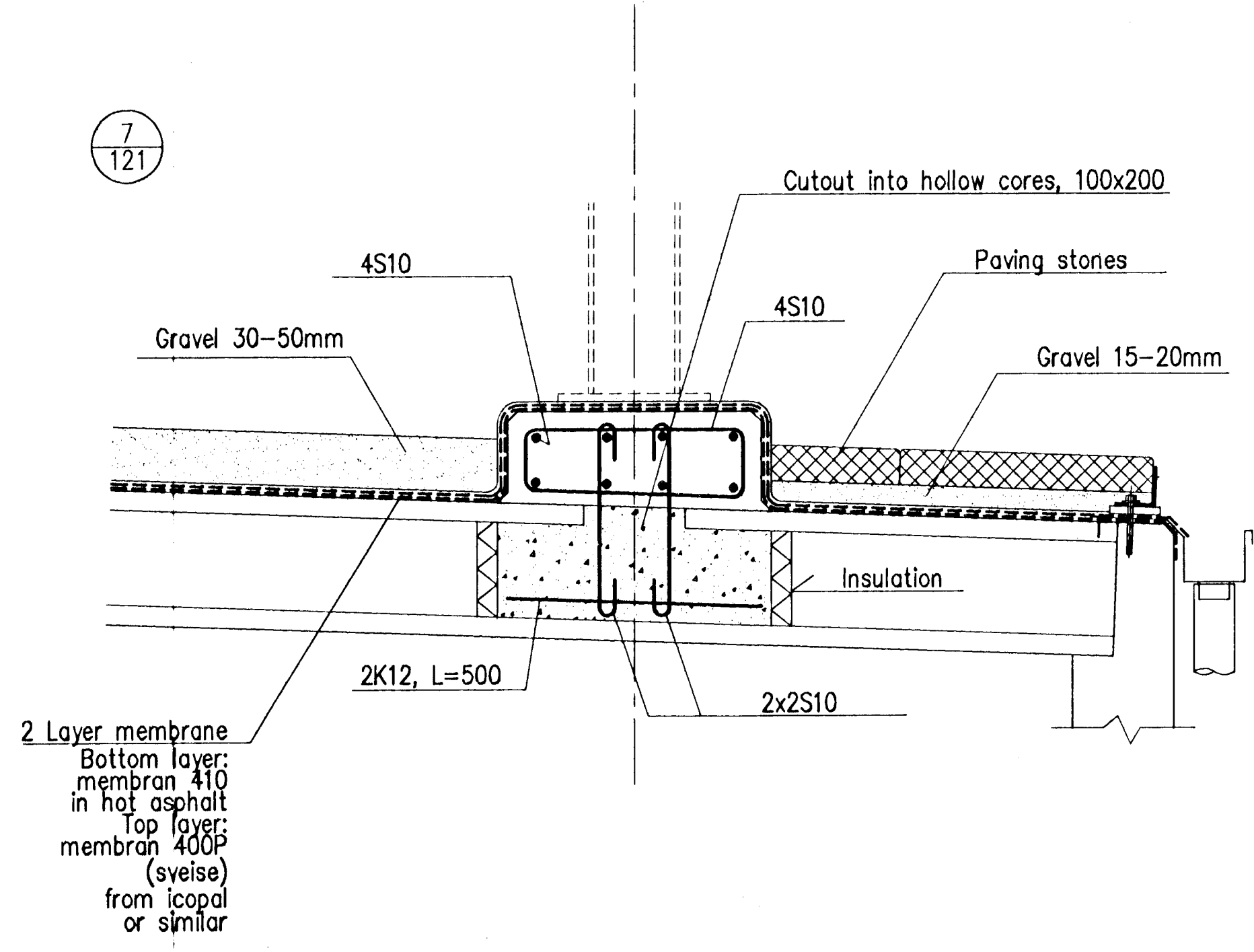
6
121



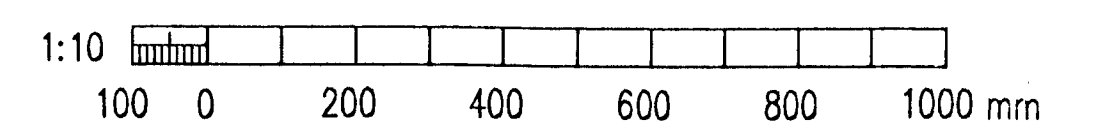
2 Layer membrane
Bottom layer:
membran 410
in hot asphalt
Top layer:
membran 400P
(sveise)
from icopal
or similar



7
121



2 Layer membrane
Bottom layer:
membran 410
in hot asphalt
Top layer:
membran 400P
(sveise)
from icopal
or similar



BYGGINGAFULLTRÚNN
18/9 '96
AFRETTI: BJS

VST CONSULTING ENGINEERS Ltd. Armula 4 108 Reykjavik Iceland Tel: +354 569 5000 Fax: +354 569 5010	DRAWN 96.09.11 FGS APPROVED 96.09.11 FGS PROJECT 96.09.11 NI SCALE 1:10 FORMAT A1	95.120 - 26.139 SUBSTATION 120 CONCRETE WORK SUPPORTS ON BLOWER HOUSE ROOF REINFORCEMENT
	ALUSUISSE ENGINEERING LTD. ZÜRICH SWITZERLAND	79000-35439
ICELANDIC ALUMINIUM CO. LTD.	188.439	

REV. NO.	DATE	REVISION	BY	APP.	REV. NO.	DATE	REVISION	BY	APP.	NOTES	REFERENCE DRAWING	DRAWING NUMBER
1	1996.09.17	APPROVED FOR CONSTRUCTION	FGS	N.I.								

This drawing is our property and given for personal use only. It may not be copied or made available to others without our permission. The receiver is responsible for any misuse.