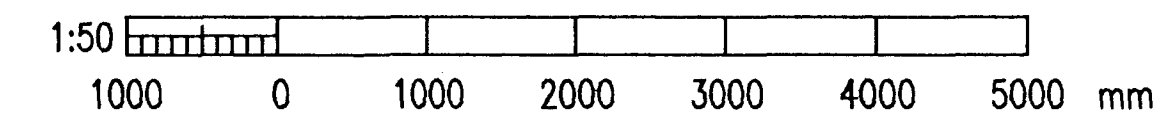
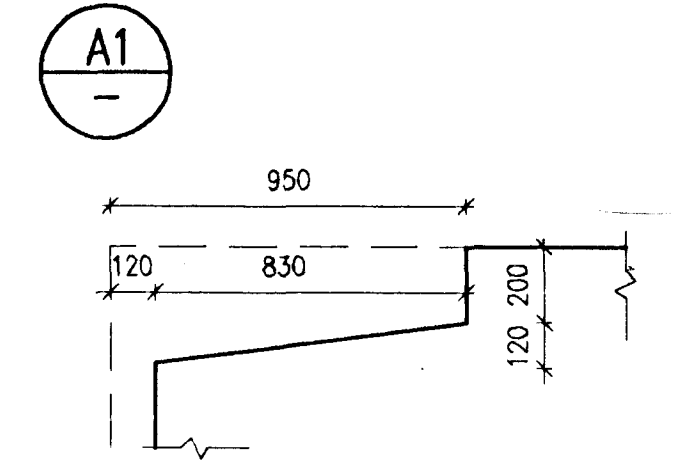
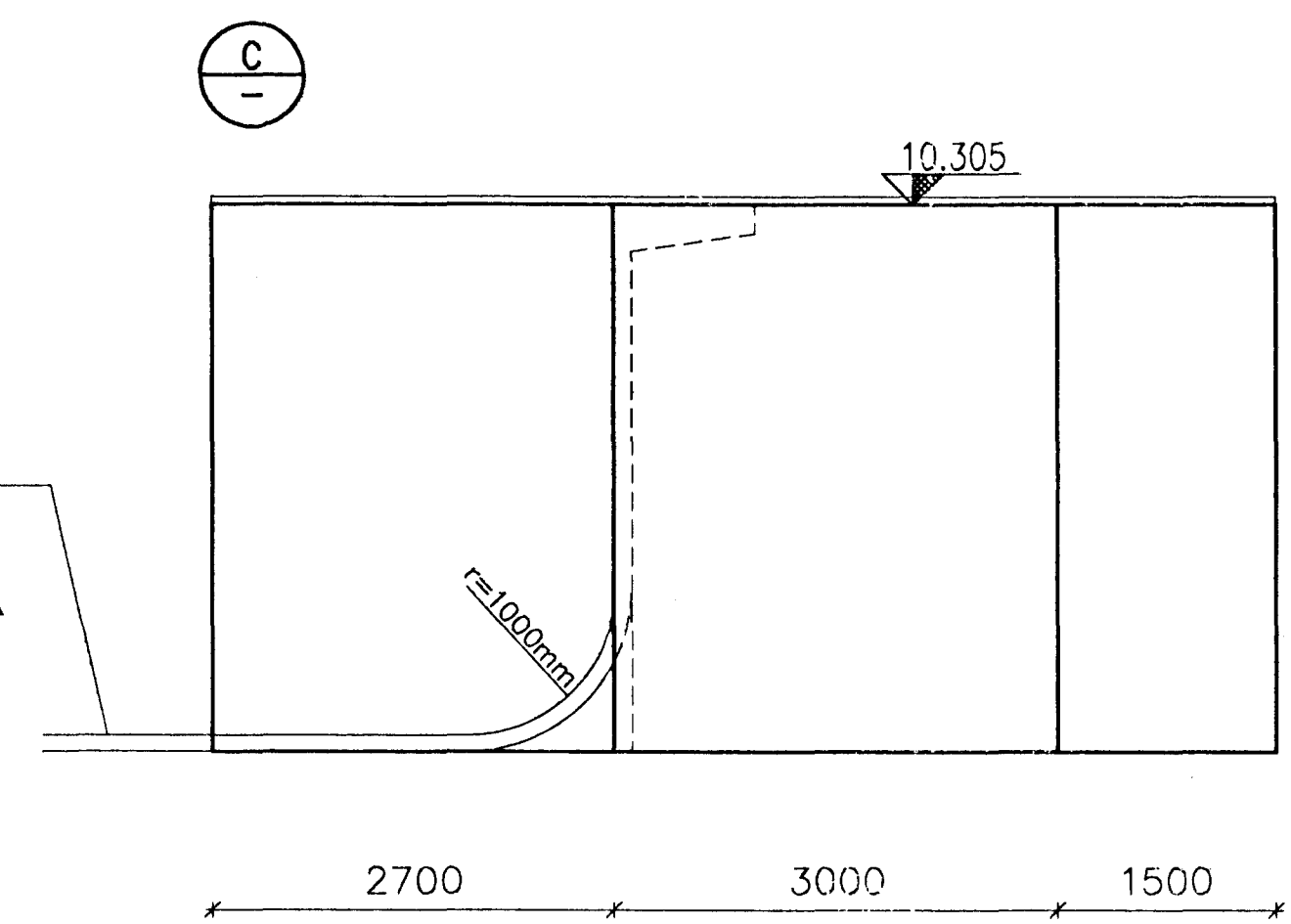
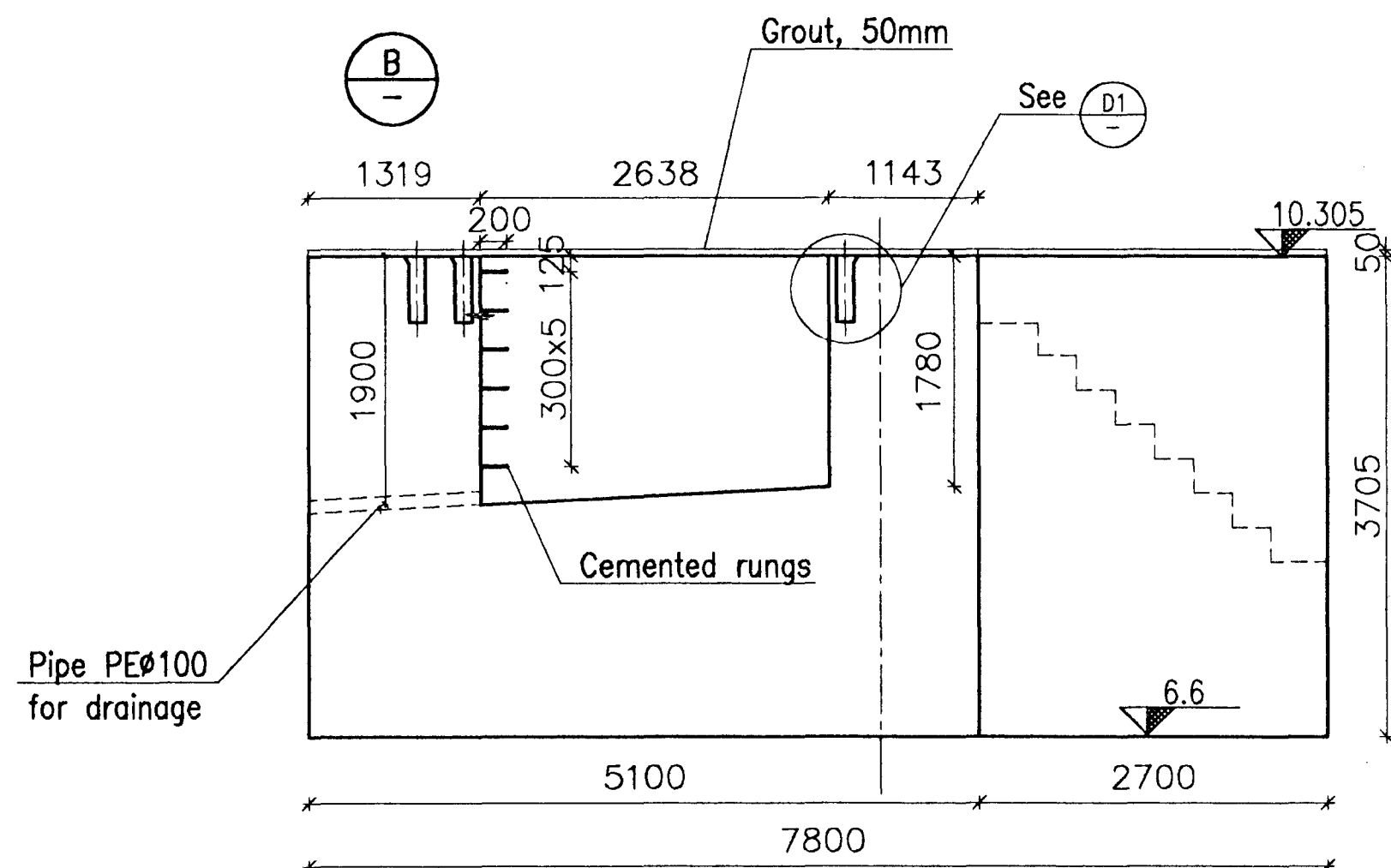
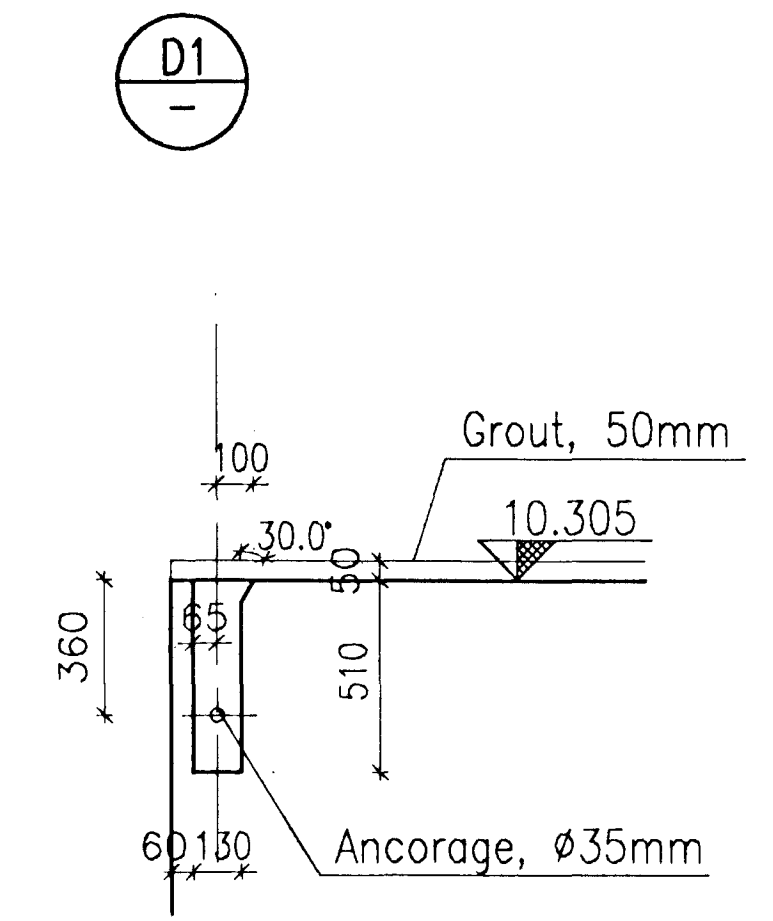
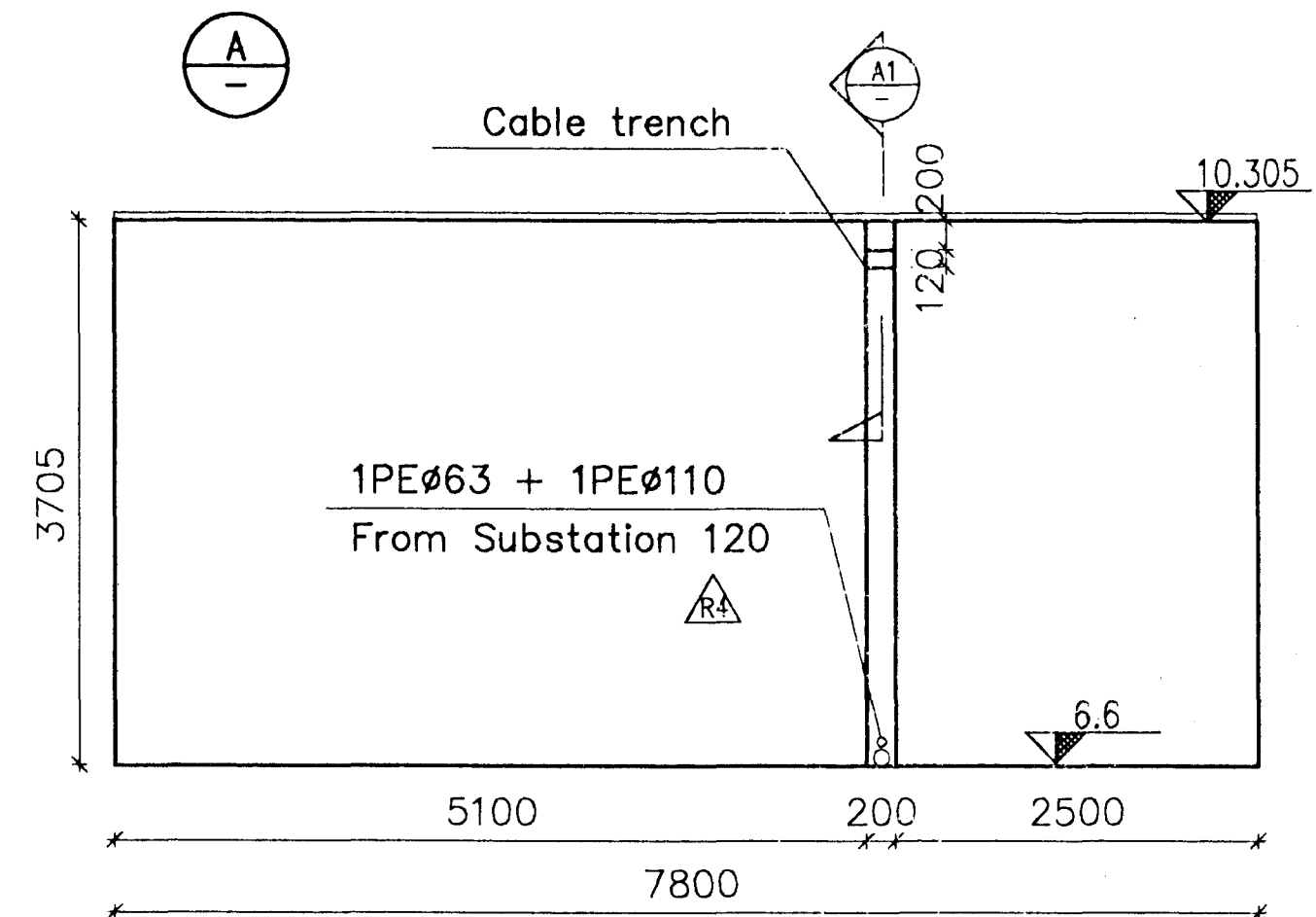
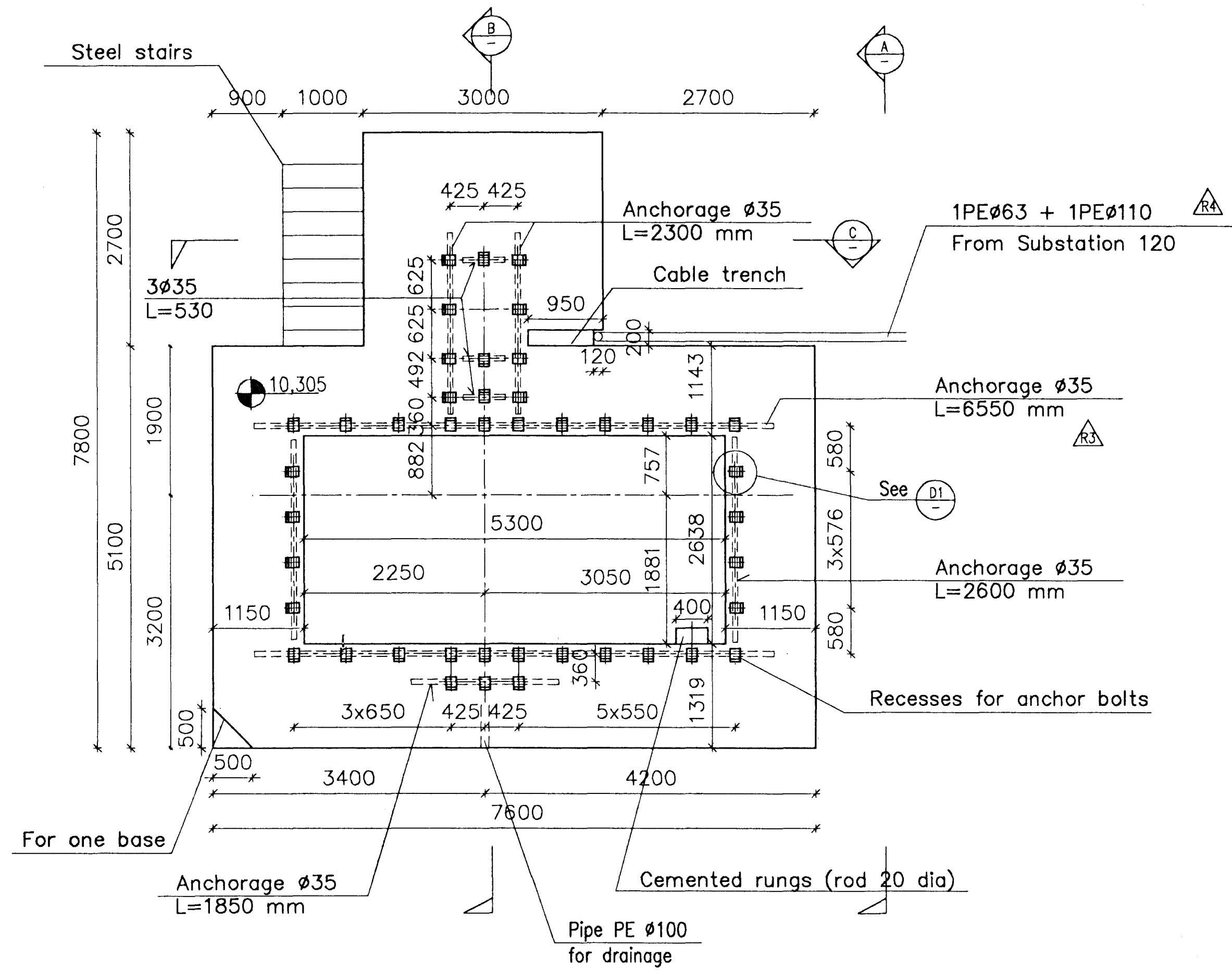


EXHAUST FAN



CONCRETE: 30/37-38-S2
 HANNAFLOREUR
 BYGGINGARULLTRÖNN
 27/3 96
 AFGREITT

VST VST CONSULTING ENGINEERS Ltd. Armula 4 108 Reykjavik Iceland Tel: +354 569 5000 Fax: +354 569 5010		95.120 - 28.020	
ICELANDIC ALUMINIUM COMPANY LTD.	DRAWN 96.06.12	SG	DRY ADSORPTION PLANT CONCRETE WORK EXHAUST FAN FORMWORK
	APPROVED 96.06.12	FGS	
	PROCESS 96.06.12	NI	
	PROJECT 96.06.12	NI	
SCALE 1:50,20	FORMAT A1	79000-33620	
ALUSUISSE ENGINEERING LTD. ZURICH SWITZERLAND		4	
ISAL ICELANDIC ALUMINIUM CO. LTD		192.820	

REV. NO.	DATE	REVISION	BY	APP.	REV. NO.	DATE	REVISION	BY	APP.	NOTES	REFERENCE DRAWING	DRAWING NUMBER
4	1996.08.21	PIPES FROM SUBSTATION 120	FGS	A.L.								
3	1996.08.09	LENGTH OF ANCHORAGE	FGS	A.L.								
2	1996.07.24	GENERAL REVISION	FGS	A.L.								
1	1996.07.18	APPROVED FOR CONSTRUCTION	FGS	A.L.								

This drawing is our property and given for personal use only. It may not be copied or made available to others without our permission. The receiver is responsible for any misuse.