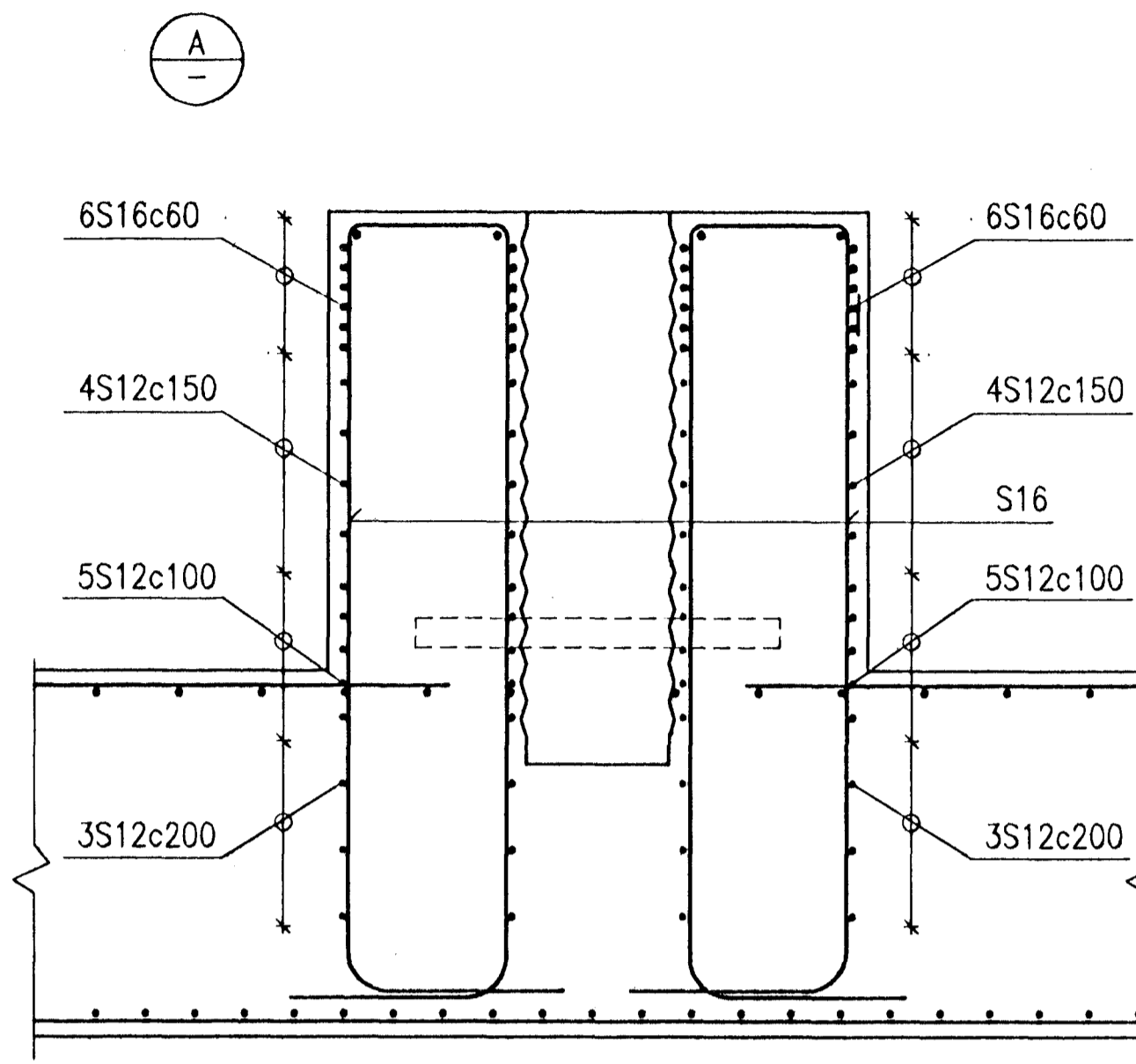
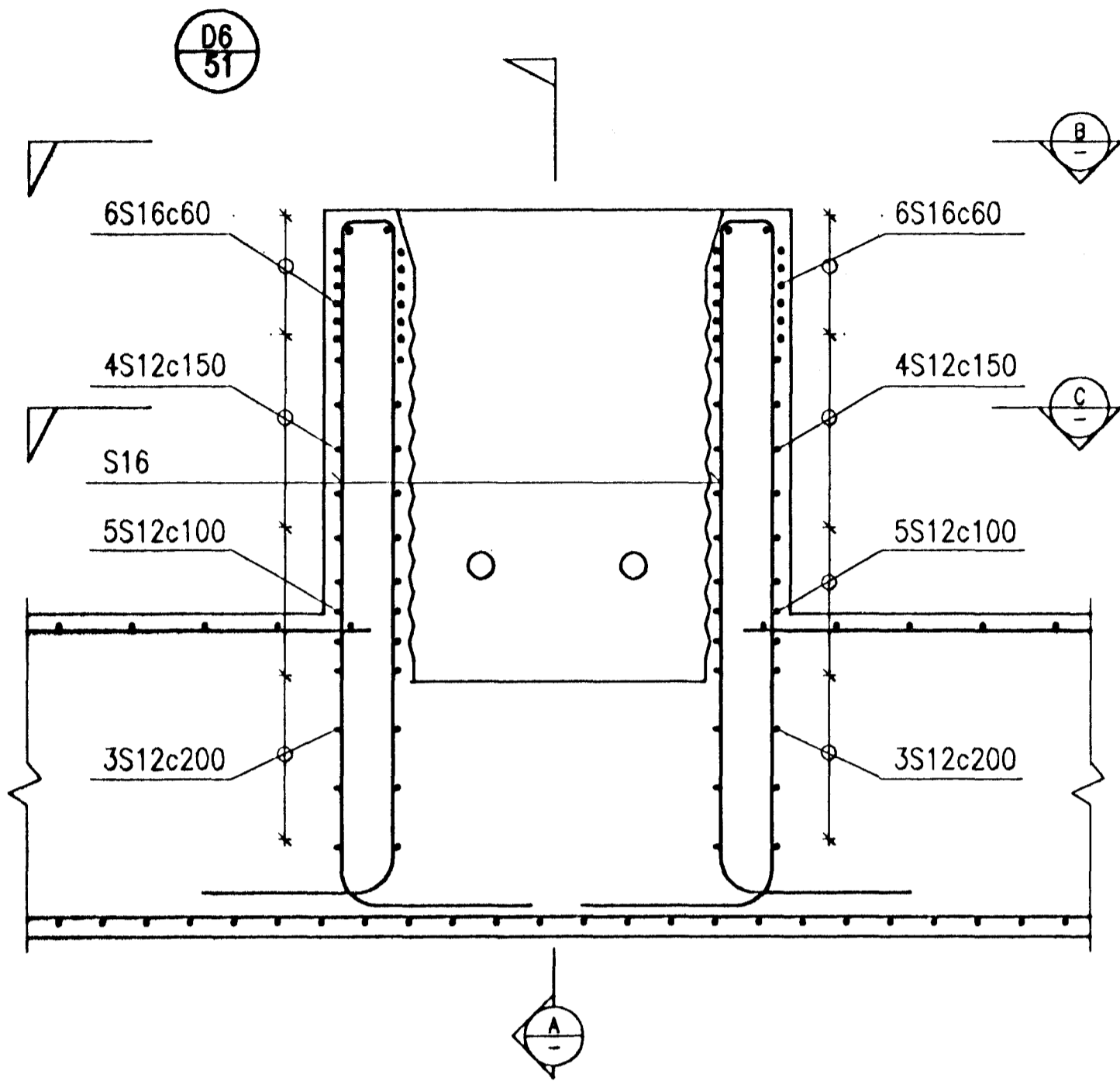
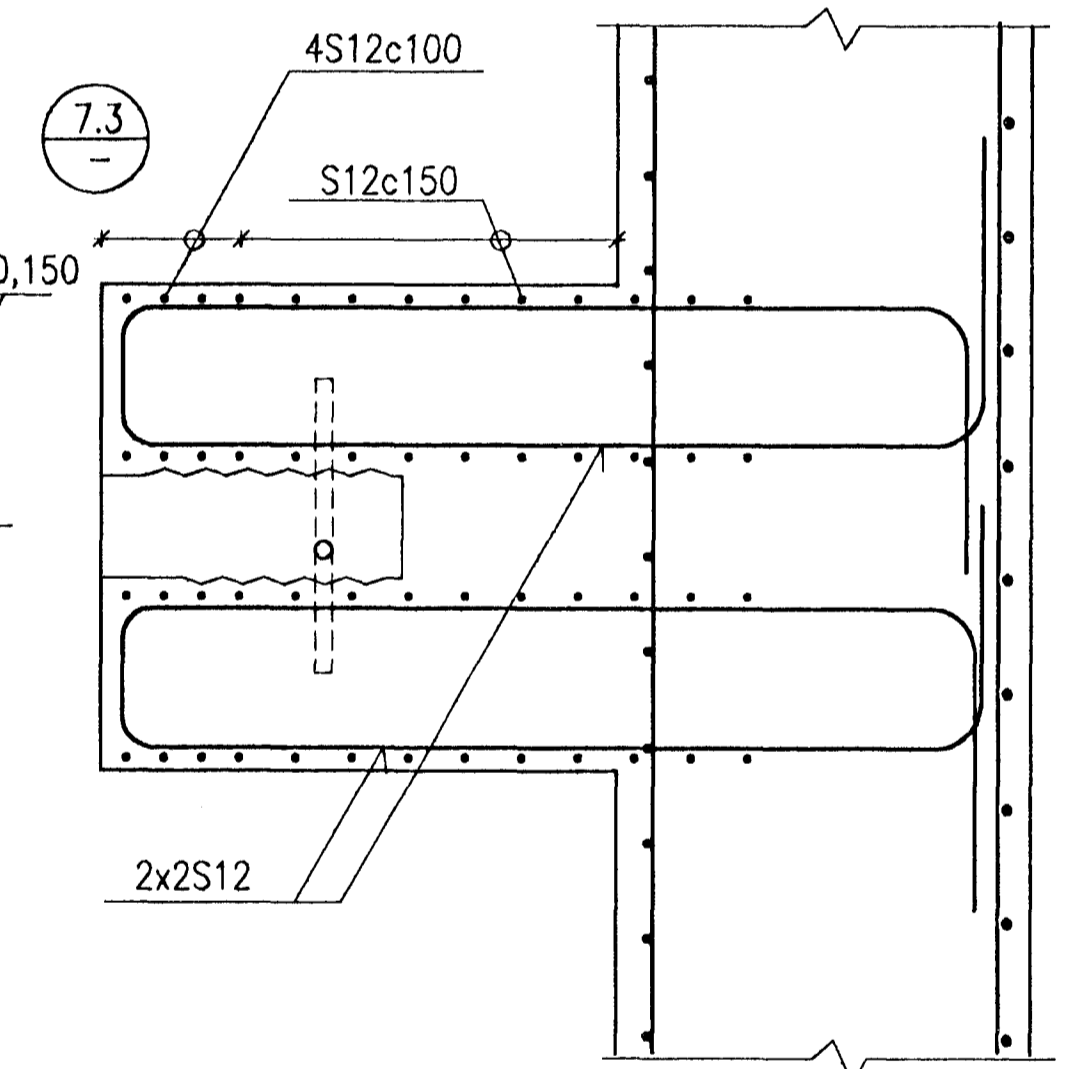
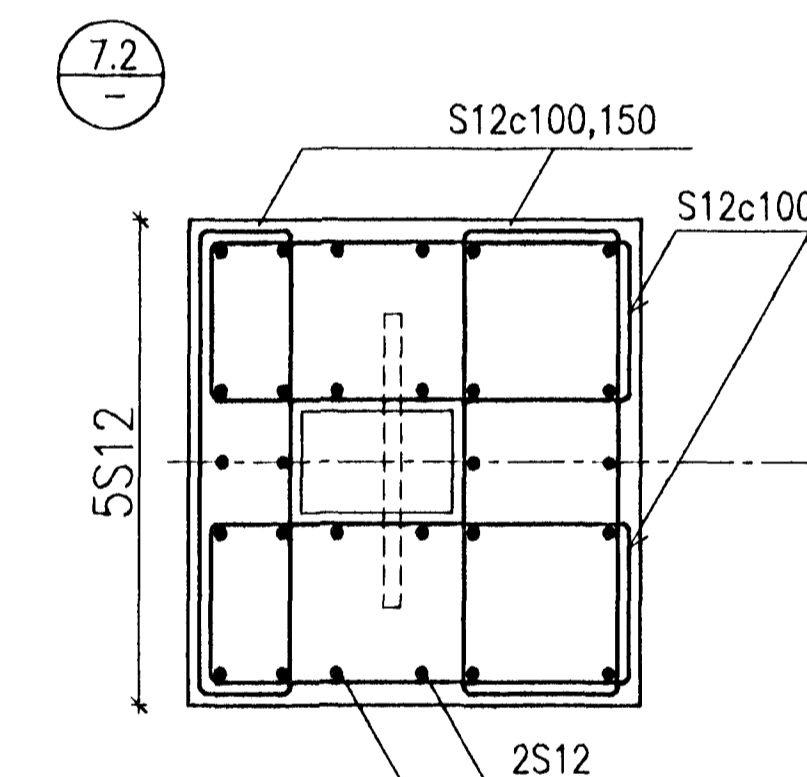
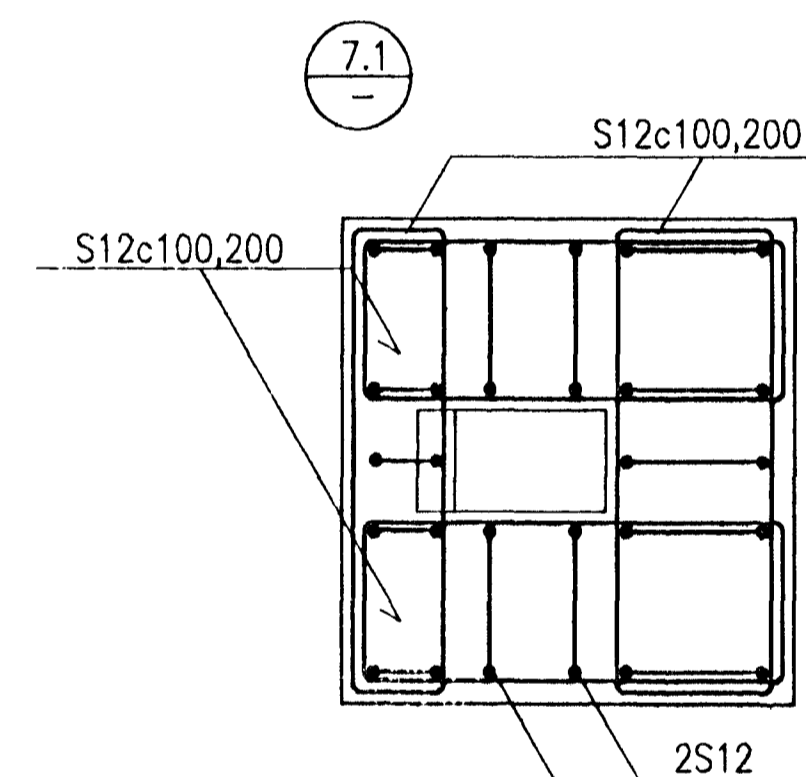
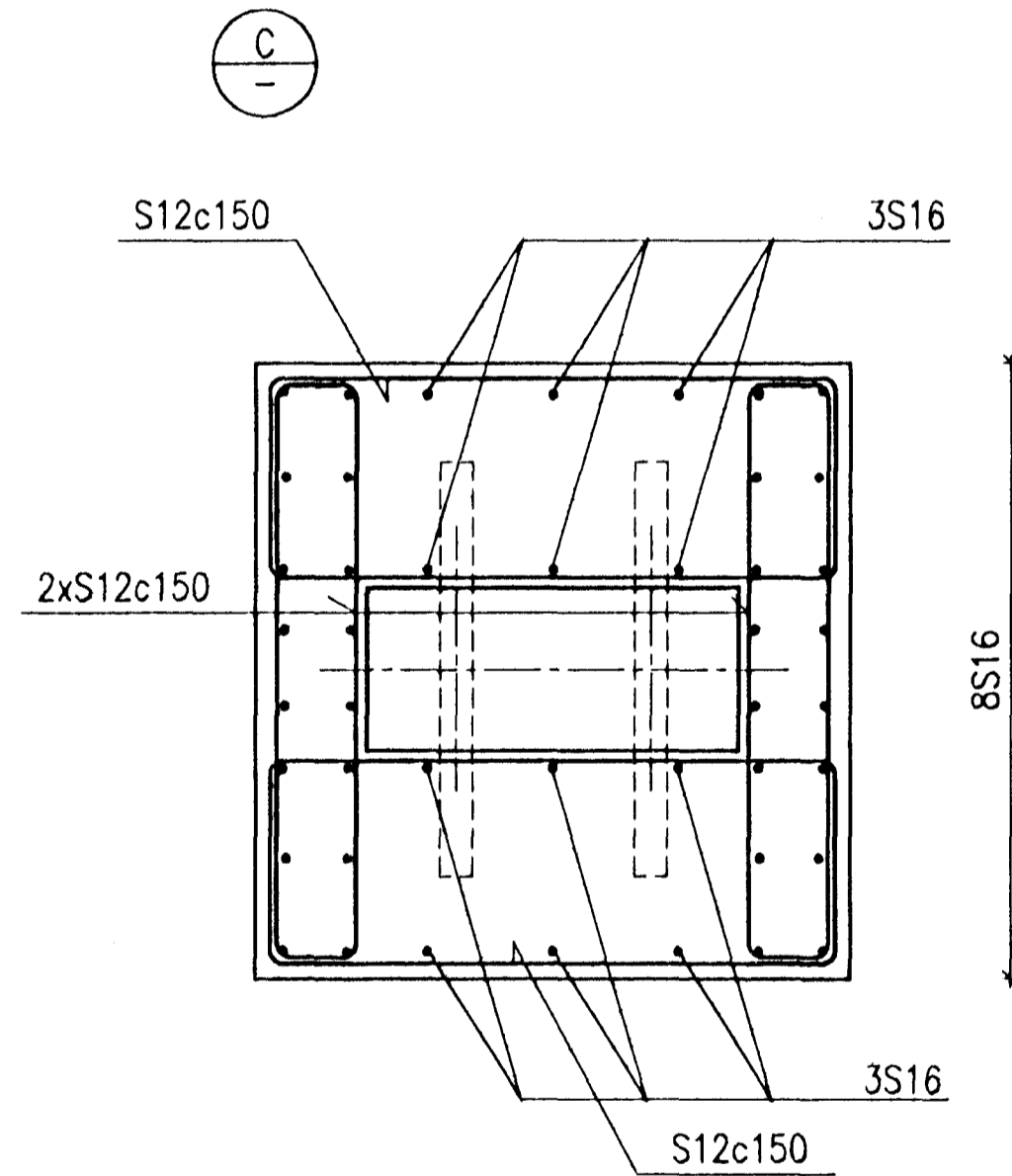
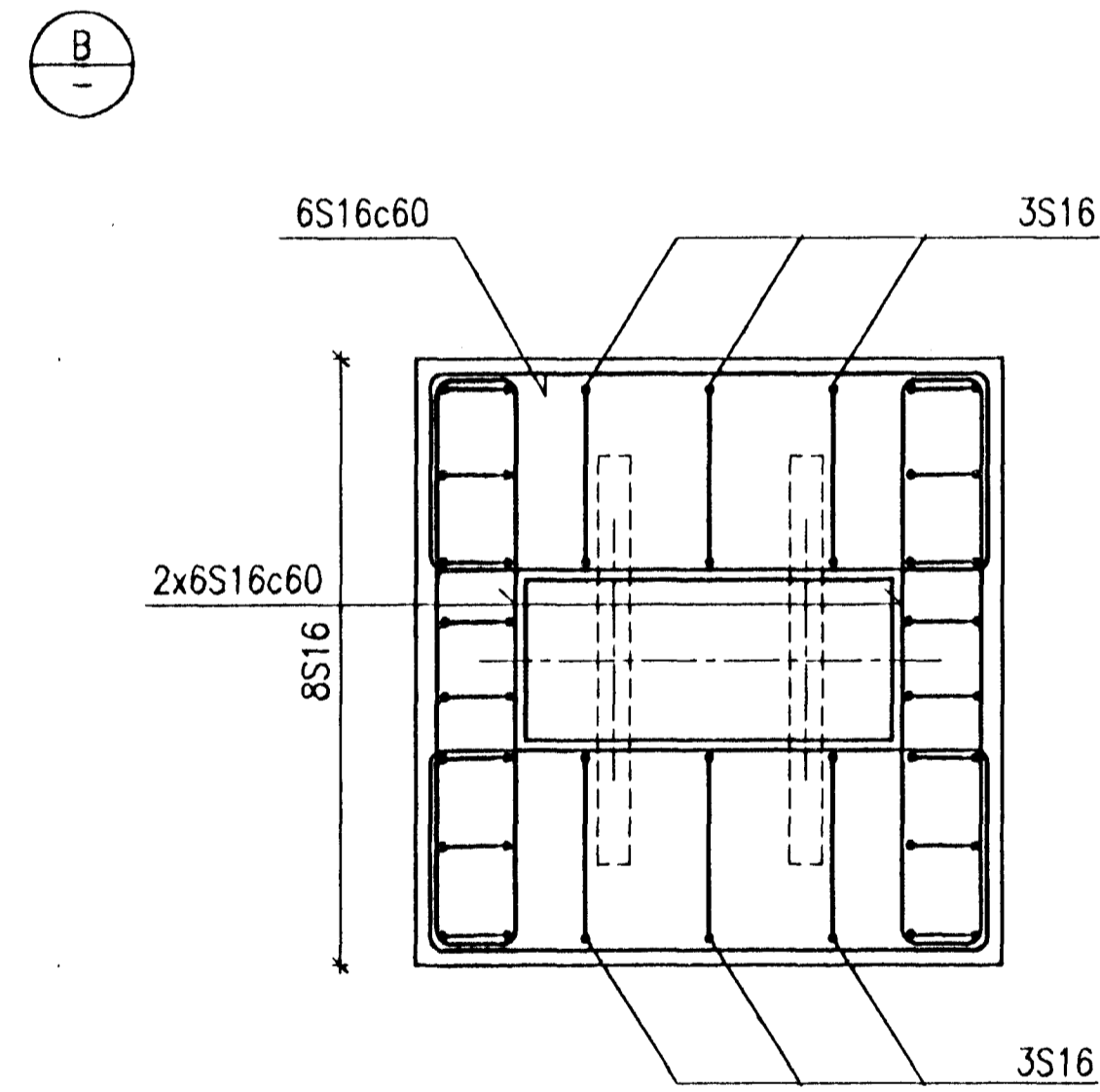
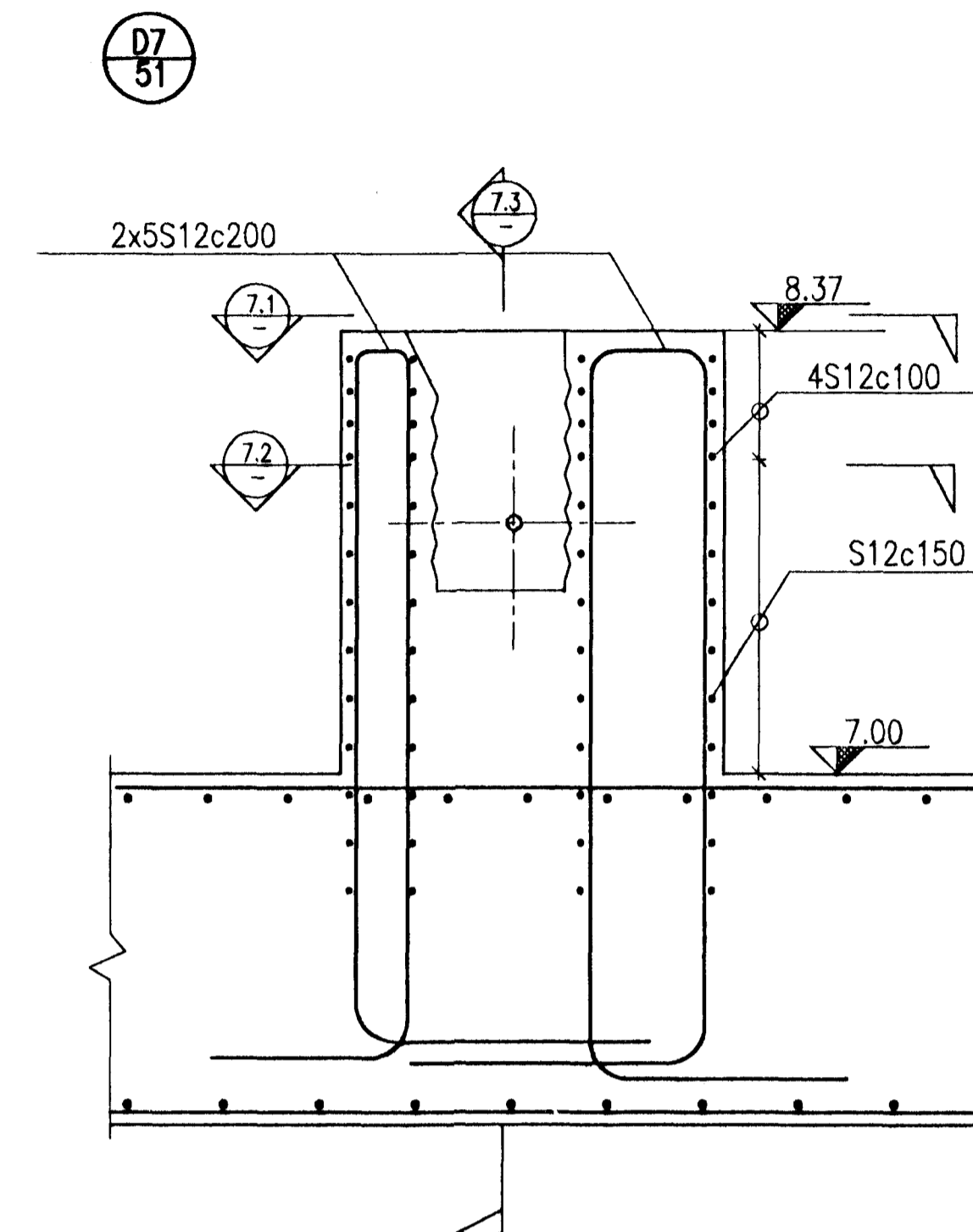


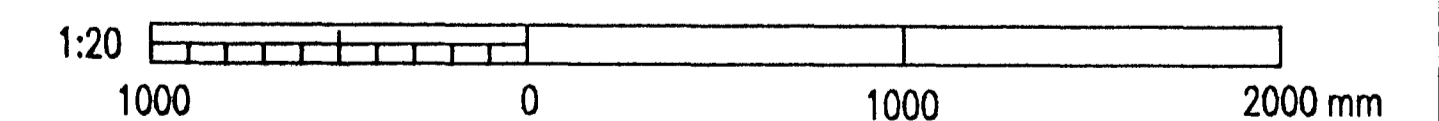
DETAIL 6



DETAIL 7



BYGGINGAFULLTRUING
AFGREITT



VST VST CONSULTING ENGINEERS Ltd. Armula 4 108 Reykjavik Iceland Tel:+354 569 5000 Fax:+354 569 5010		95.120 - 28.060	
ICELANDIC ALUMINIUM COMPANY LTD.		DRY ADSORPTION PLANT CONCRETE WORK DETAILS 6 & 7 REINFORCEMENT	
DRAWN 08.08.20 SQJ APPROVED 08.08.20 FGS PROJECT 08.08.20 NI SCALE 1:20 FORNAT A1	ALUSUISSE ALISA ALUSUISSE ENGINEERING LTD. ZURICH SWITZERLAND	79000-33660	REVISION 1
ALUSUISSE ALISA ICELANDIC ALUMINIUM CO. LTD		192.860	

REV. NO.	DATE	REVISION	BY	APP.	REV. NO.	DATE	REVISION	BY	APP.	NOTES	REFERENCE DRAWING	DRAWING NUMBER
1	1996.07.24	APPROVED FOR CONSTRUCTION	FGS	N.I.								

This drawing is our property and given for personal use only. It may not be copied or made available to others without our permission. The receiver is responsible for any misuse.

