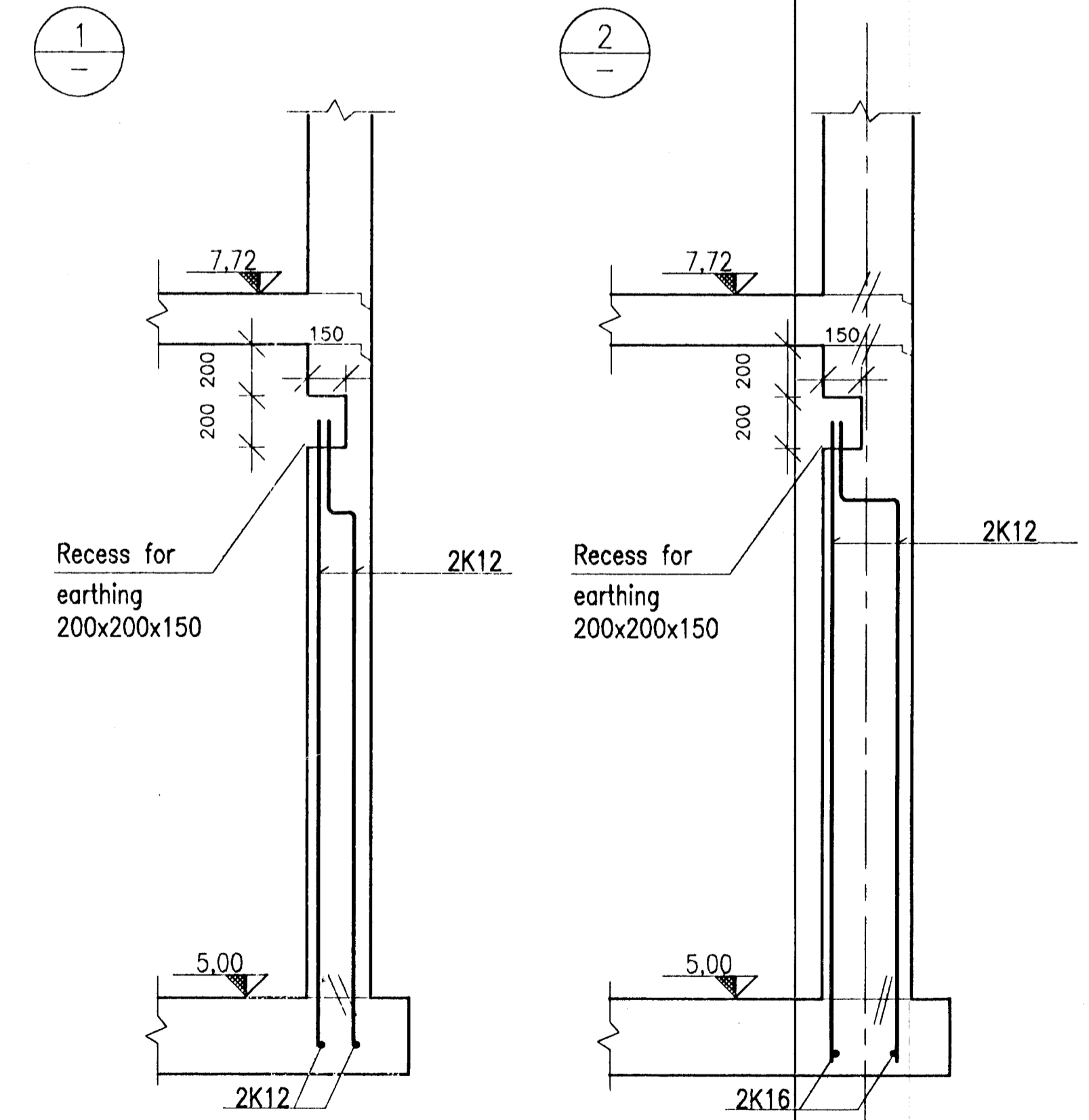


LEGEND:
 Two lowest bars in basement foundations shall be clamped together to form two continuous circles for earthing. Two clamps at each connection. In each corner of the basement connection is made to a connection box as shown on detail.



BYGGMARKAÐUR
 BYGGINGAVALLEIÐIRN
 AFGREITT

VST VST CONSULTING ENGINEERS Ltd. Annala 4 108 Reykjavik Iceland Tel: +354 569 5000 Fax: +354 569 5010		95.120 - 26.015															
ICELANDIC ALUMINIUM COMPANY LTD.	<table border="1"> <tr><td>DRAWN</td><td>98.05.08</td><td>FGS</td></tr> <tr><td>APPROVED</td><td>98.05.08</td><td>QSS</td></tr> <tr><td>PROCESS</td><td>98.05.08</td><td>N</td></tr> <tr><td>PROJECT</td><td>98.05.08</td><td>N</td></tr> <tr><td>SCALE</td><td>1:50,20</td><td>FORSETT AT</td></tr> </table>	DRAWN	98.05.08	FGS	APPROVED	98.05.08	QSS	PROCESS	98.05.08	N	PROJECT	98.05.08	N	SCALE	1:50,20	FORSETT AT	SWITCHYARD AND MAIN SUBSTATION CONCRETE WORK EARTHING OF BASEMENT FORMWORK
DRAWN	98.05.08	FGS															
APPROVED	98.05.08	QSS															
PROCESS	98.05.08	N															
PROJECT	98.05.08	N															
SCALE	1:50,20	FORSETT AT															
ALUSUISSE ALESA	ALESA ENGINEERING LTD. ZURICH SWITZERLAND	79000-35315															
ISAL	ICELANDIC ALUMINIUM CO. LTD	188.315															

REV. NO.	DATE	REVISION	BY	APP.	REV. NO.	DATE	REVISION	BY	APP.	NOTES	REFERENCE DRAWING	DRAWING NUMBER
1	1996.07.10	APPROVED FOR CONSTRUCTION	FGS	N.I.								

This drawing is our property and given for personal use only. It may not be copied or made available to others without our permission. The receiver is responsible for any misuse.